

Features

- High-quality solid-brass construction for durability and reliability
- Required rough-in sold separately
- Maintains water temperature within +/-3 degrees Fahrenheit
- Features a high-temperature-limit stop to help prevent scalding
- Unlacquered Brass (ULB) available in North America and the United Kingdom only



Required Products/Accessories

P29305-00 Pressure Balance Rough-In Assembly with Diverter

or

P29305-WS Pressure Balance Rough-In Assembly with Stops and Diverter

Adapters, Rough-in and Extension Kits

P29305-00 Range: 2-3/4" (70 mm) - 3-1/2" (89 mm)

P29305-WS Range: 2-3/4" (70 mm) - 3-1/2" (89 mm)

Recommended Products/Accessories

P24871-00 Traditional Showerhead with Arm

P24623-LV Volume Control Trim, Lever Handle

P24624-00 Wall-Mount Bath Spout

P24653-00 Single-function Handshower and Hose with 1.75 GPM

ADA

Codes/Standards




ADA

KALLISTA® Five-Year Limited Warranty

See website for detailed warranty information.

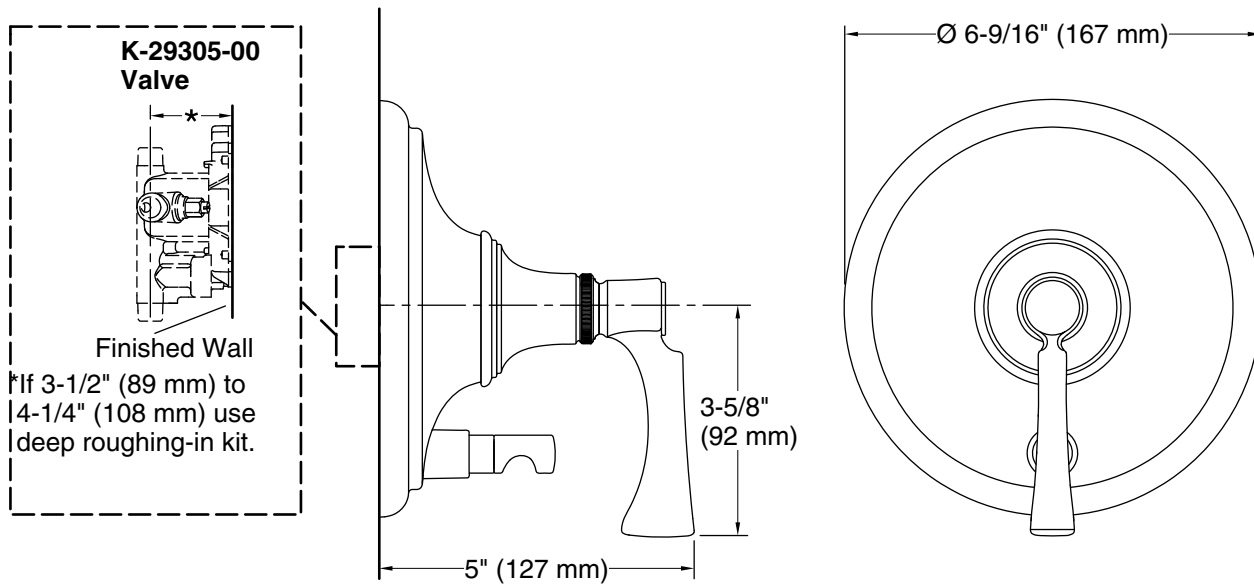
Available Colors/Finishes

Color tiles intended for reference only.

Color	Code	Description
	AD	Nickel Silver
	CP	Polished Chrome
	ULB	Unlacquered Brass

KALLISTA®

Bellis® by KALLISTA Pressure Balance Trim with Diverter, Lever Handle P24616-LV



Technical Information

All product dimensions are nominal.

Notes

ADA compliant when installed to the specific requirements of these regulations.