

FLEXSTEEL®

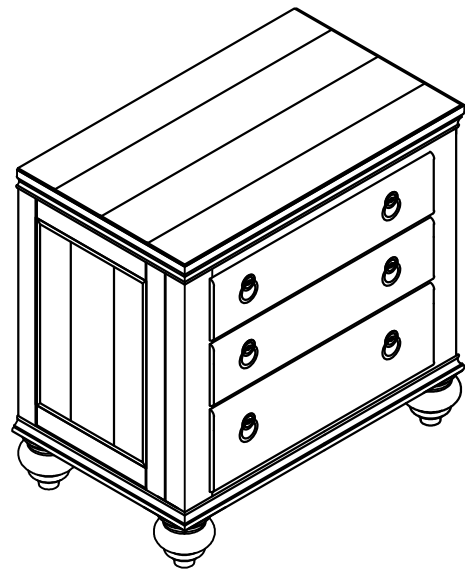
W1047-863

Nightstand

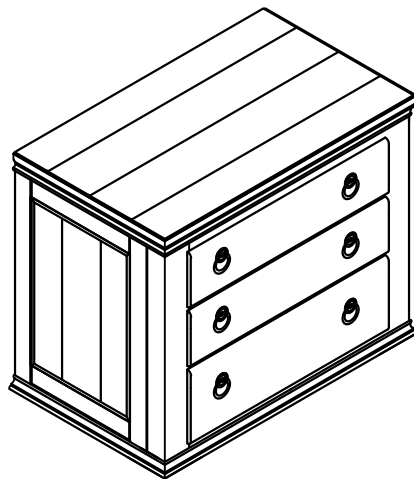
IMPORTANT NOTE

Carefully remove all the parts from the carton and put them individually on a soft cloth to prevent damage to the parts.

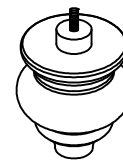
We have taken great care in the design of this product and request that you carefully and strictly follow our assembly instructions to ensure a completed product as it was designed.



Part List

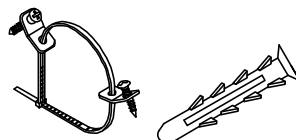


A. Night Stand
1 piece



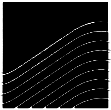
B. Foot
4 pieces

Hardware List



Anti-Tipping Device
1 set

Tool(s) recommended for assembly: Level



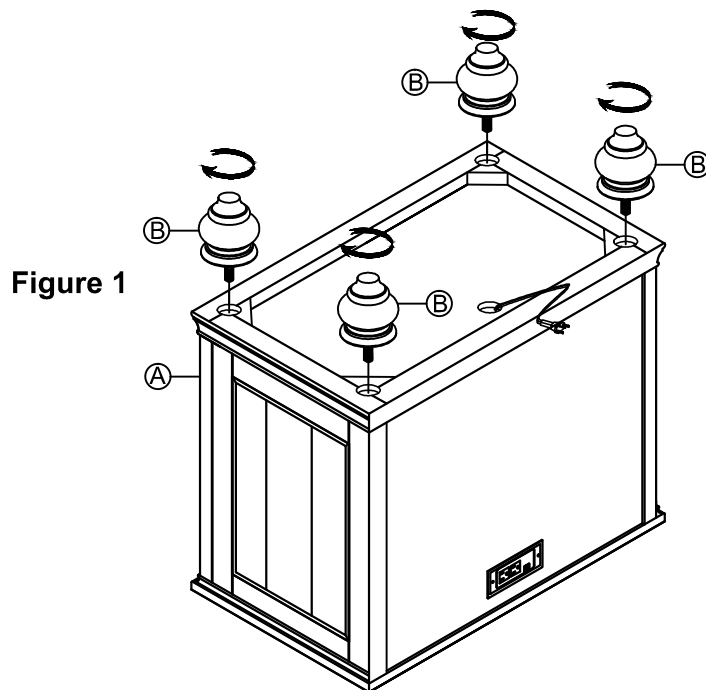
IMPORTANT

- Use a soft cloth between these parts and the floor.

STEP 1

Place the Nightstand (A) upside down on a soft surface and screw in the Feet (B). (See Figure 1.)

Note: We recommend at least two adults assemble this item.



STEP 2

Taking care not to put any undue pressure on the feet, carefully position the Nightstand (A) in an upright position. Adjust the levelers on the feet until the furniture is level. (See Figure 2.)

