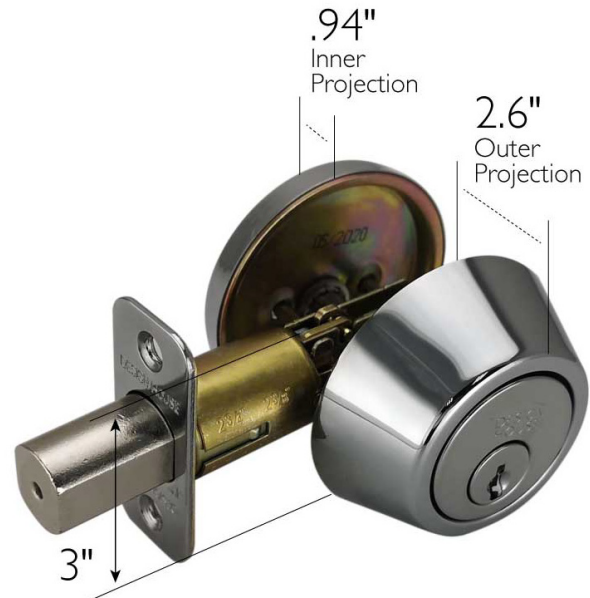


Single Cylinder 2-Way Adjustable Deadbolt Door Lock Polished Chrome



SPECIFICATIONS

MATERIAL CONSTRUCTION:	Brass	KEYWAY:	KW
LOCK FUNCTION:	Deadbolt	REMOVABLE CORE:	No
DEADBOLT FUNCTION:	Single Cylinder	LATCH FACEPLATE:	Round Corner
EXTERIOR MAX PROJECTION:	0.94"	LATCH BACKSET:	Adj. 2-3/8" - 2-3/4"
INTERIOR MAX PROJECTION:	0.94"	LATCH TYPE:	2 Way (fixed faceplate)
KNOB VS. LEVER:	N/A	LATCHBOLT THROW DISTANCE:	1
KNOB DIMENSIONS:	N/A	# PINS IN CYLINDER:	5
LEVER LENGTH:	N/A	ANTI-BUMP PIN INSTALLED:	Yes
ROSE DIMENSIONS:	2.5" H x 2.5" W	# KEYS INCLUDED:	2
ROSETTE / ESCUTCHEON SHAPE:	Round	SPINDLE TYPE:	Deadbolt
CROSS BORE:	2.13"	MOUNTING HARDWARE INCLUDED:	Yes
EDGE BORE:	1"	TOOLS NEEDED FOR INSTALLATION:	Phillips Screwdriver
HANDING:	N/A	ASSEMBLED WEIGHT:	1.05 lbs.
REKEYABLE?:	Yes		

WARRANTY:	5-Year limited warranty
ANSI CERTIFICATION:	Grade 3
BHMA GRADE:	3
FIRE RATED:	No
ADA COMPLIANT:	No



TYPE:
JOB:
ORDER CODE:
APPROVALS: