

JULIETTE STORAGE PLATFORM BED

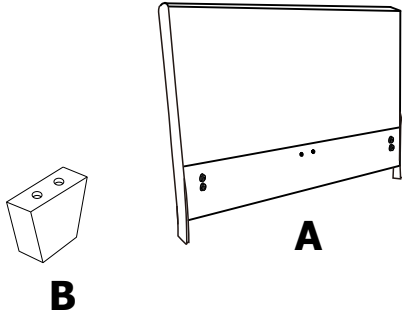
FULL/QUEEN ASSEMBLY INSTRUCTIONS



PARTS AND PACKAGING DETAIL

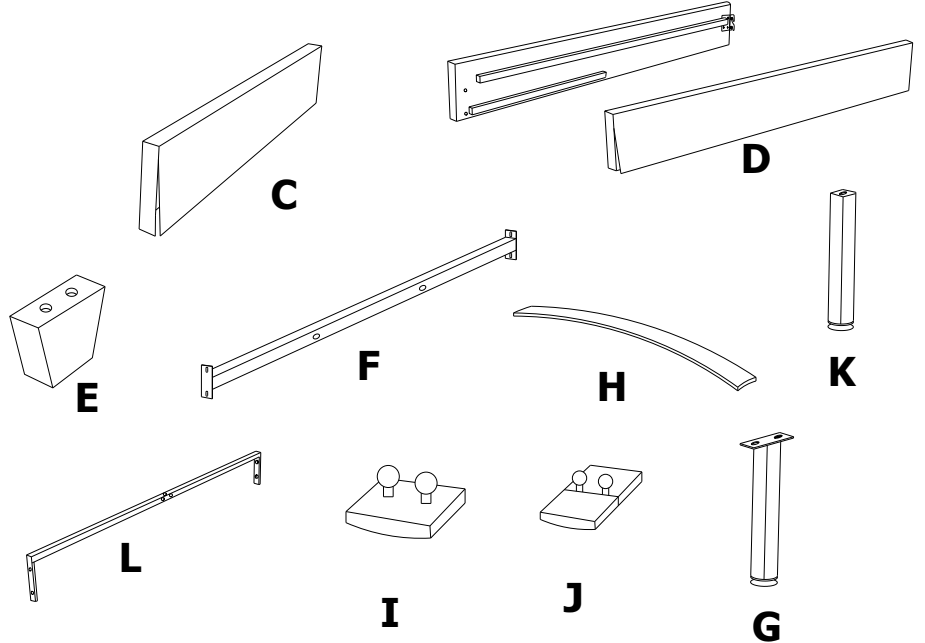
BOX #1

- A. HEADBOARD 1 PC
- B. LEG 2 PCS



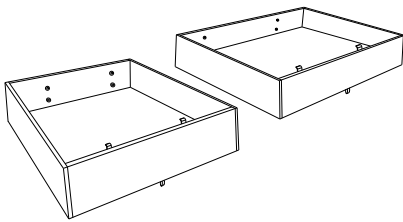
BOX #2

- C. FOOTBOARD 1 PC
- D. SIDE RAIL 2 PCS
- E. FOOTBOARD LEG 2 PCS
- F. CENTER SLAT SUPPORT 1 PC
- G. CENTER SUPPORT LEG 2 PCS
- H. SLAT 26 PCS
- I. SIDE RAIL SLAT CLIP 26 PCS
- J. CENTER SUPPORT SLAT CLIP 13 PCS
- K. METAL SUPPORT LEG 1 PC
- L. METAL SUPPORT BRACE 1 PC

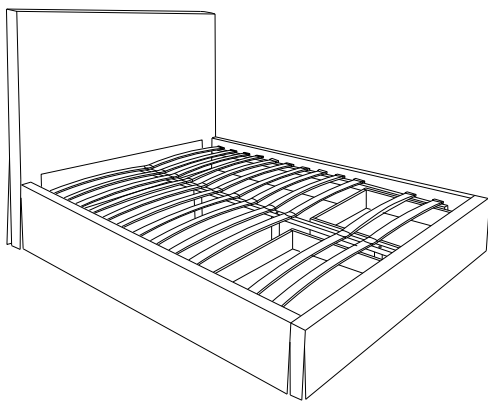


BOX #3

- M. DRAWER BOX 2 PCS



JULIETTE STORAGE BED ASSEMBLED



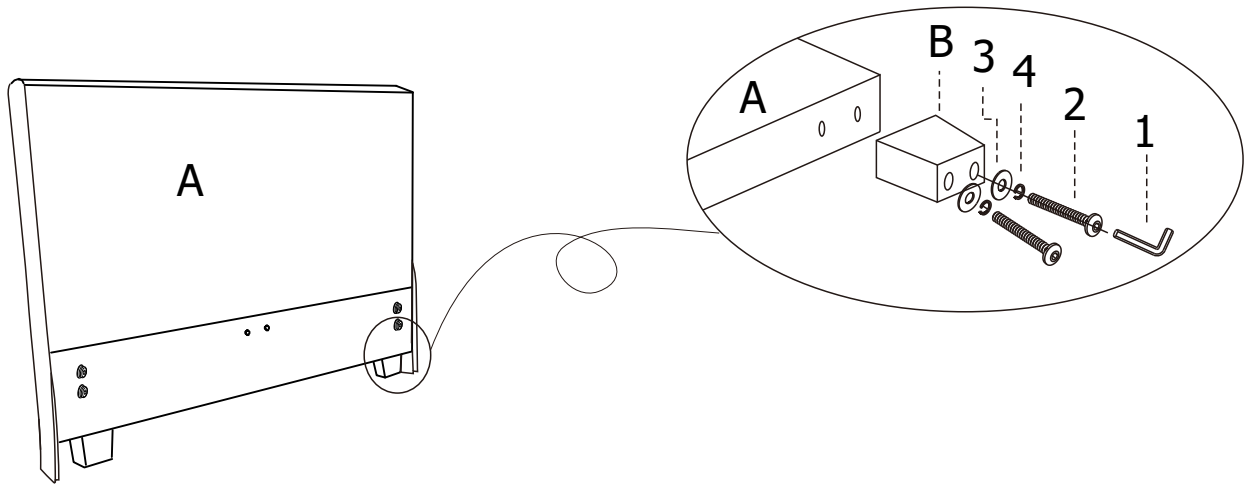
HARDWARE PACKED IN BOX #1			
1	ALLEN KEY 5/16	2	ALLEN BOLT 5/16x3-1/4"
3	FLAT WASHER 5/16	4	LOCK WASHER 5/16
1PC		4PCS	
4PCS		4PCS	

HARDWARE PACKED IN BOX #2			
5	ALLEN KEY 5/16	6	SPANNER 5/16
7	ALLEN BOLT 5/16x1"	8	ALLEN BOLT 5/16x2-1/2"
1PC		1PC	
6PCS		11PCS	
9	ALLEN BOLT 5/16x3-1/4"	10	FLAT WASHER 5/16
11	LOCK WASHER 5/16	12	HEX NUT 5/16
2PCS		25PCS	
25PCS		6PCS	

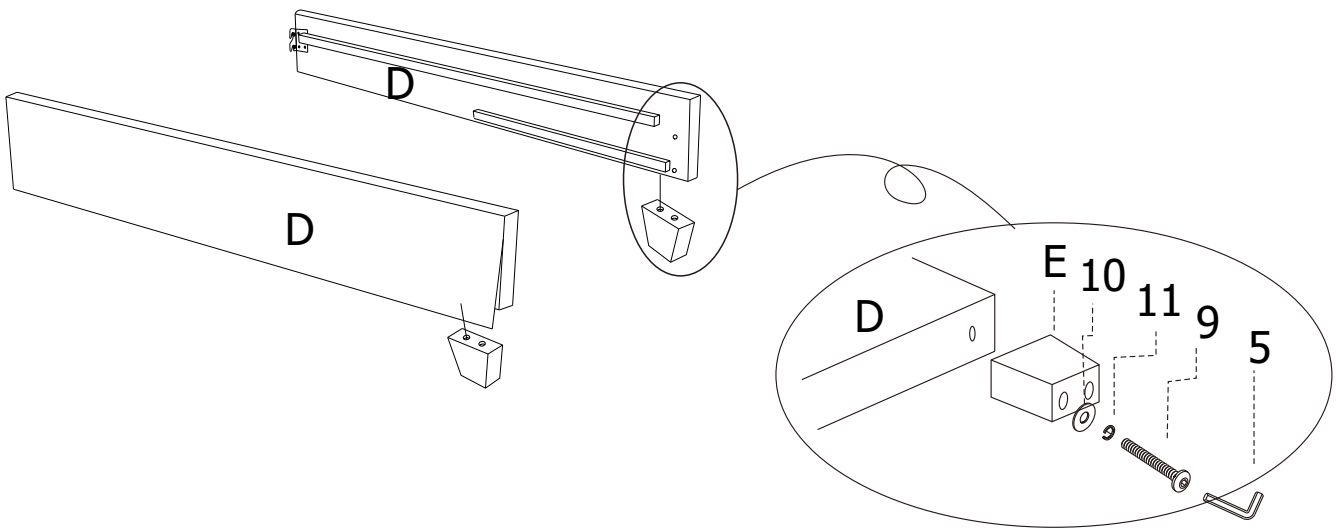
HARDWARE PACKED IN BOX #3			
13	ALLEN KEY 1/4"	14	ALLEN BOLT 1/4"x1-1/4"
15	FLAT WASHER 5/16	16	LOCK WASHER 5/16
1PC		8PCS	
8PCS		8PCS	

YOUR BED MAY CONTAIN EXTRA HARDWARE

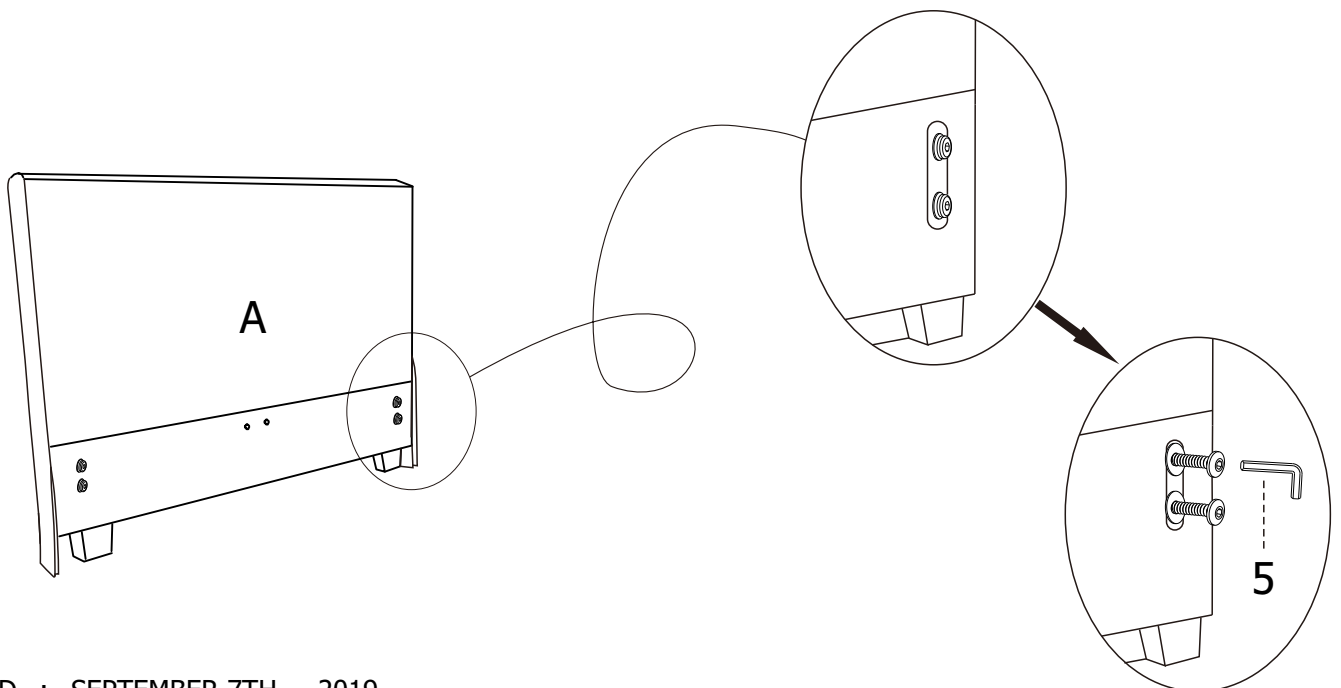
STEP 1 :



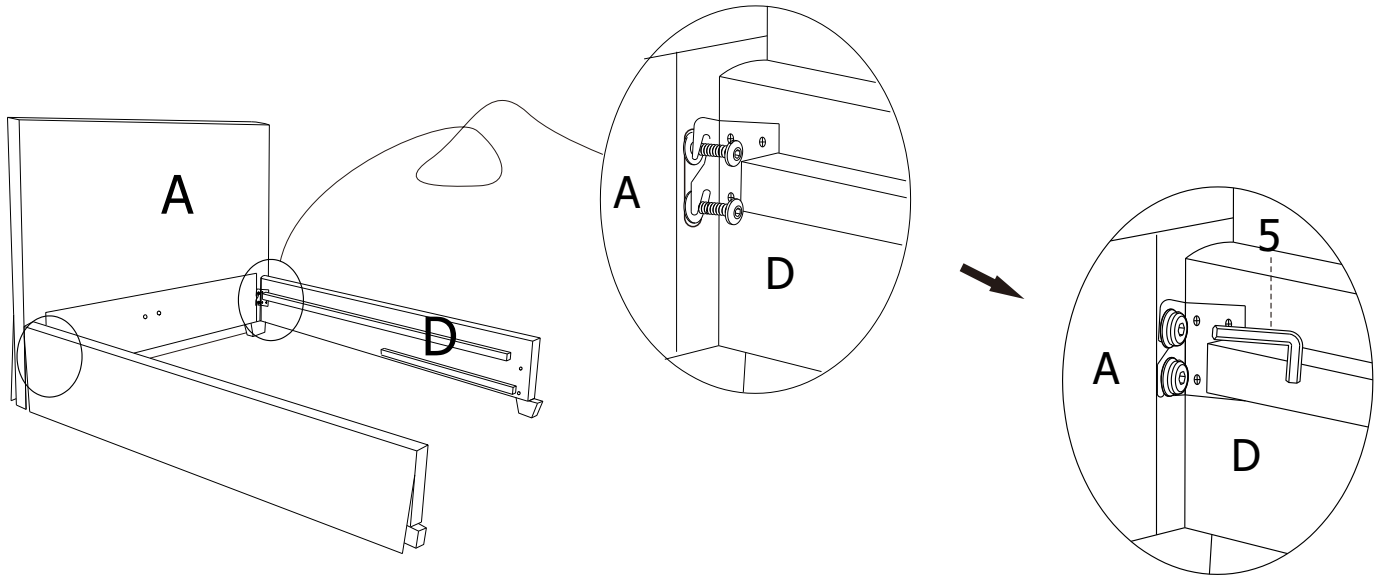
STEP 2 :



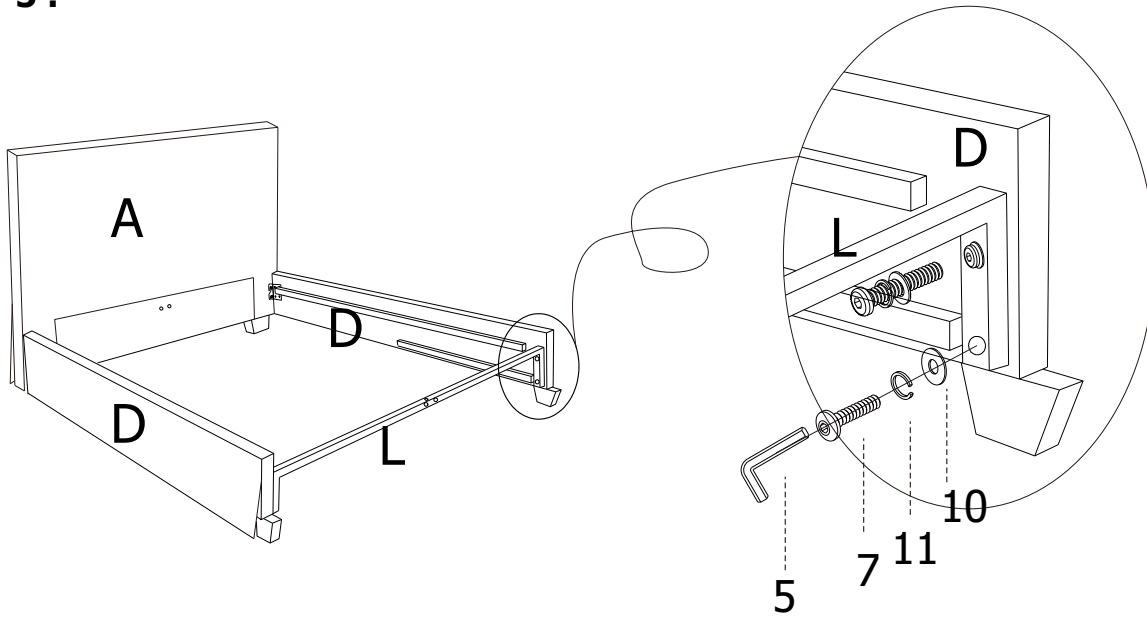
STEP 3 :



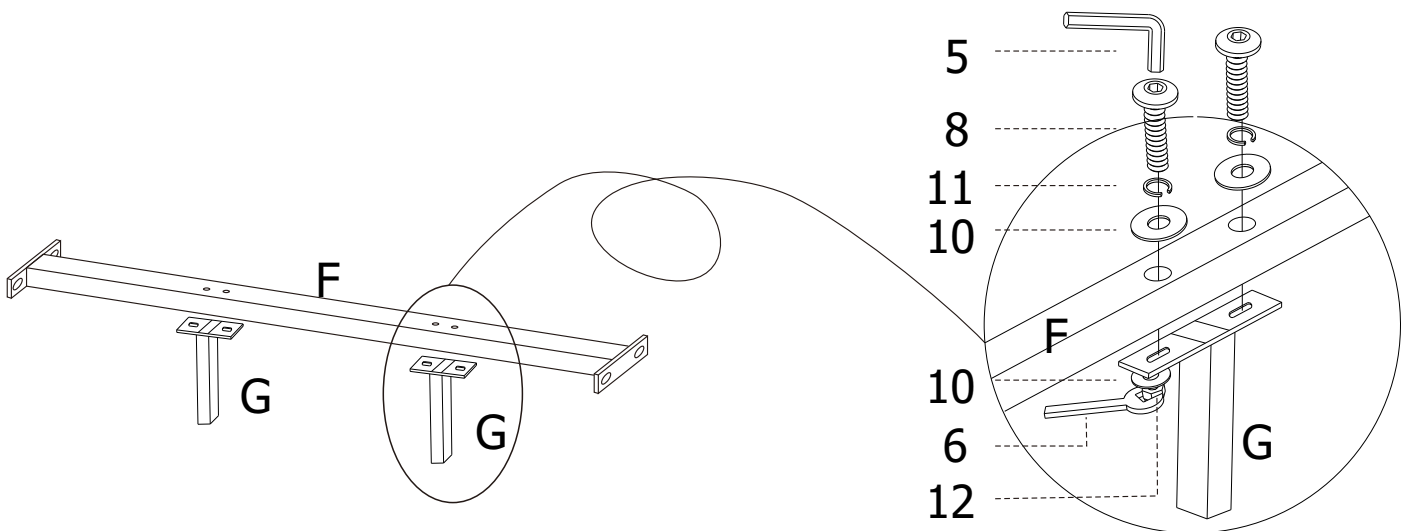
STEP 4 :



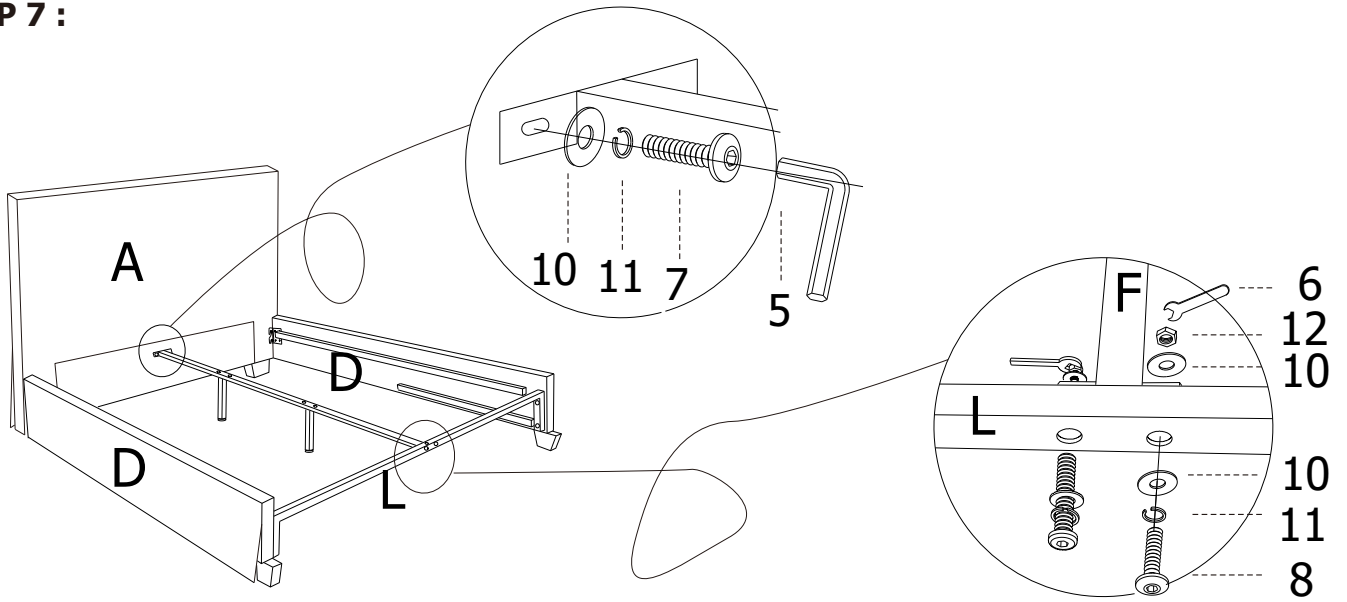
STEP 5 :



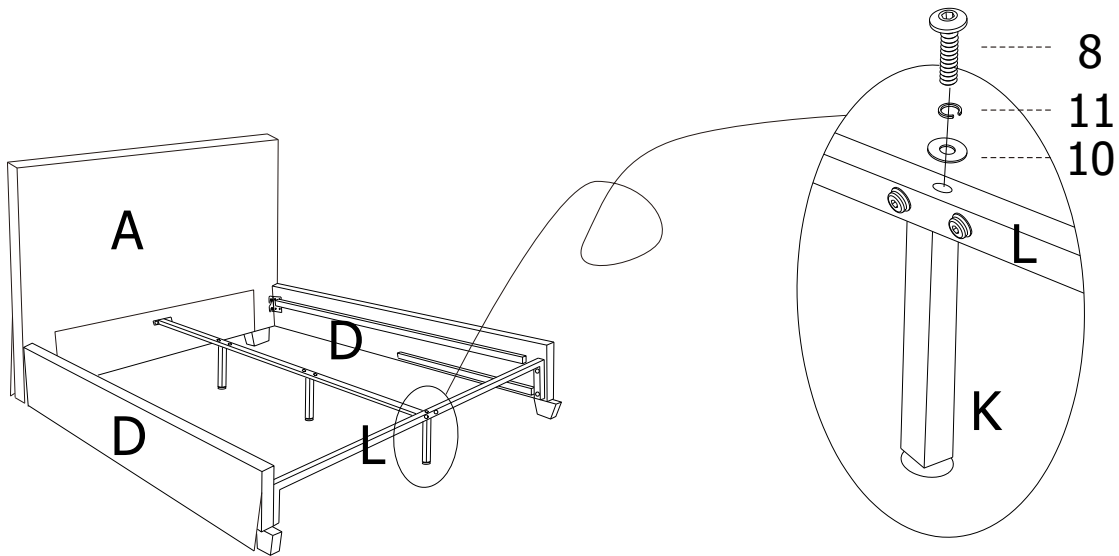
STEP 6 :



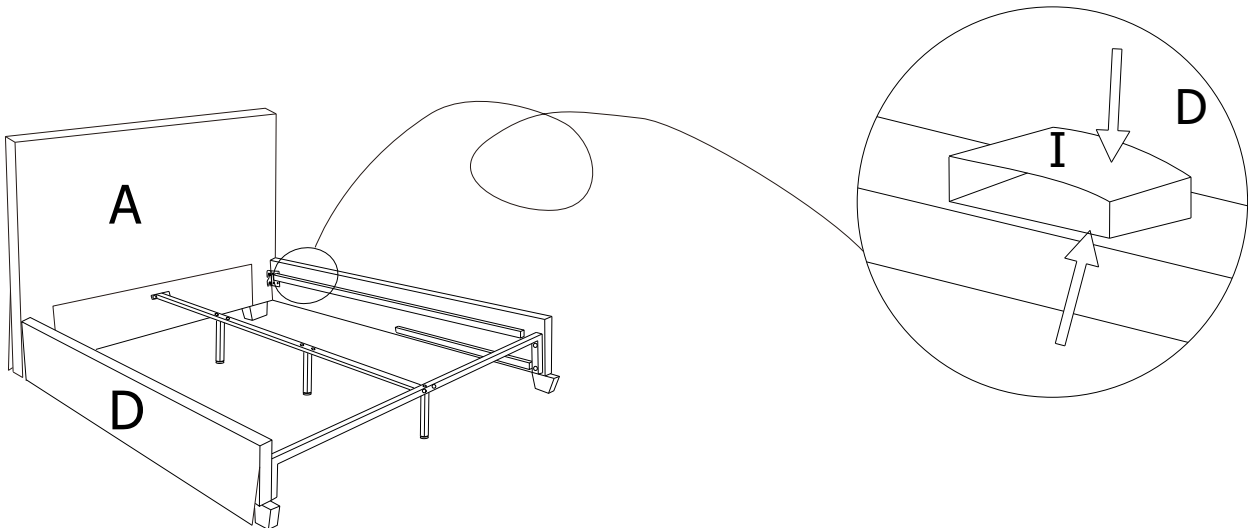
STEP 7 :



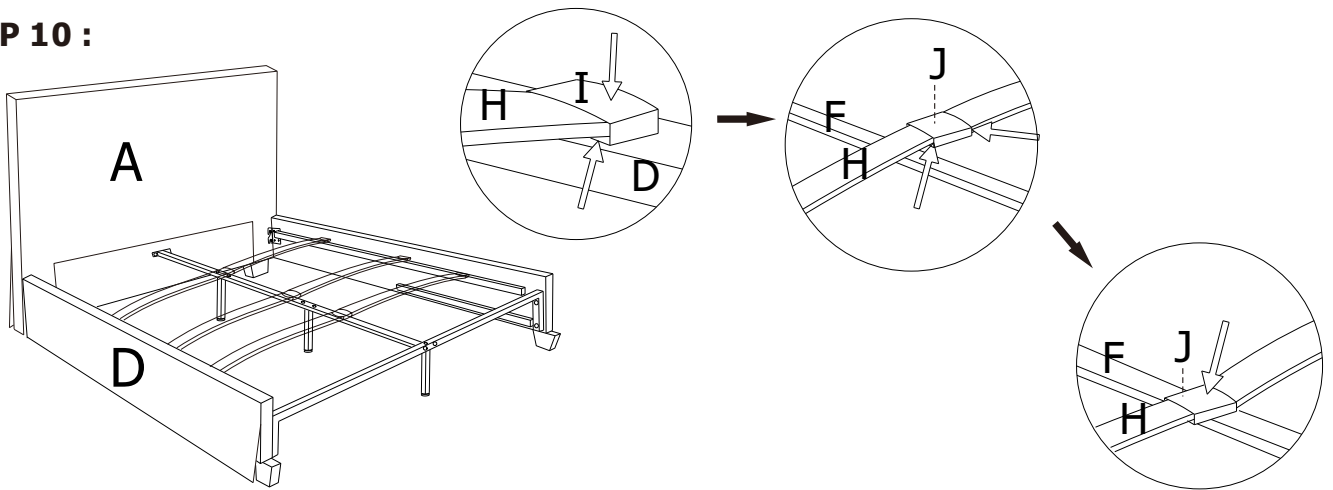
STEP 8 :



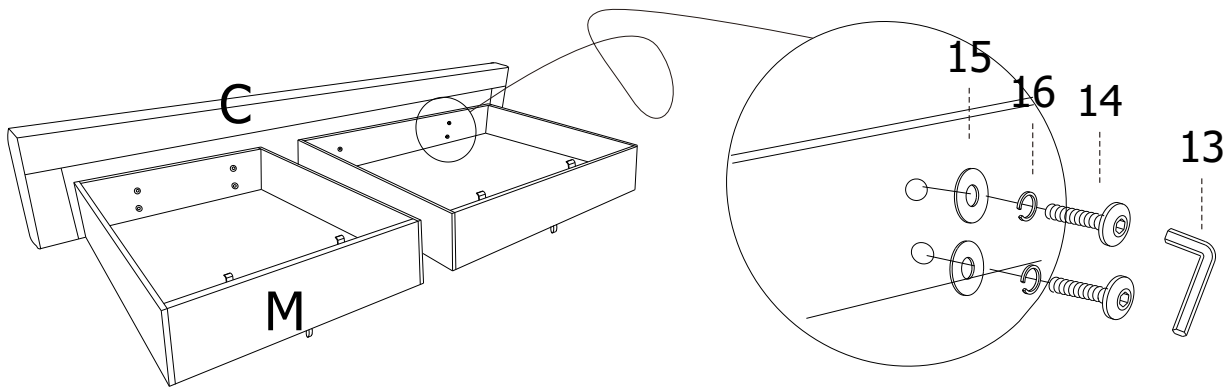
STEP 9 :STARTING FROM HEADBOARD



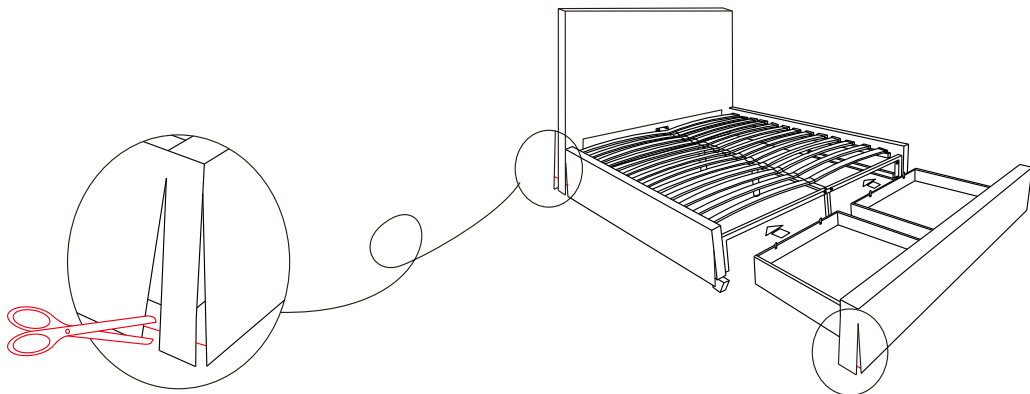
STEP 10 :



STEP 11 :



STEP 12 :FOR FABRIC TO LAY CORRECTLY CUT THREADS SECURING PLEATS.

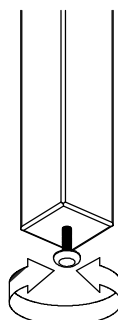


INSTRUCTIONS FOR ADJUSTING LEVELERS :

POSITION THE BED IN YOUR ROOM. LOCATE LEVELERS UNDER EACH SUPPORT LEG (G/K).

TURN COUNTER-CLOCKWISE TO EXTEND, CLOCKWISE TO CONTRACT.

ADJUST LEVELERS UNTIL EACH LEG SUPPORT IS APPLYING EQUAL UPWARD PRESSURE ON THE CENTER SLAT.



MAINTENANCE INSTRUCTIONS :

- REMOVE BOX SPRING AND MATTRESS BEFORE MOVING YOUR BED.
- LIFT YOUR BED WHEN MOVING IT. DRAGGING CAN DAMAGE CENTER SUPPORT.
- READJUST LEVELERS AFTER MOVING YOUR BED.

JULIETTE STORAGE PLATFORM BED

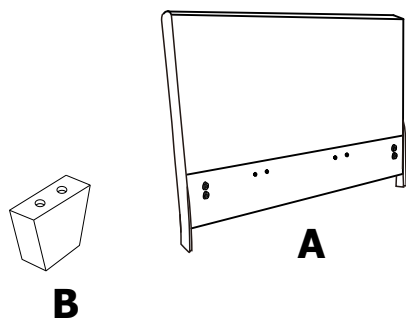
C.KING/E.KING ASSEMBLY INSTRUCTIONS



PARTS AND PACKAGING DETAIL

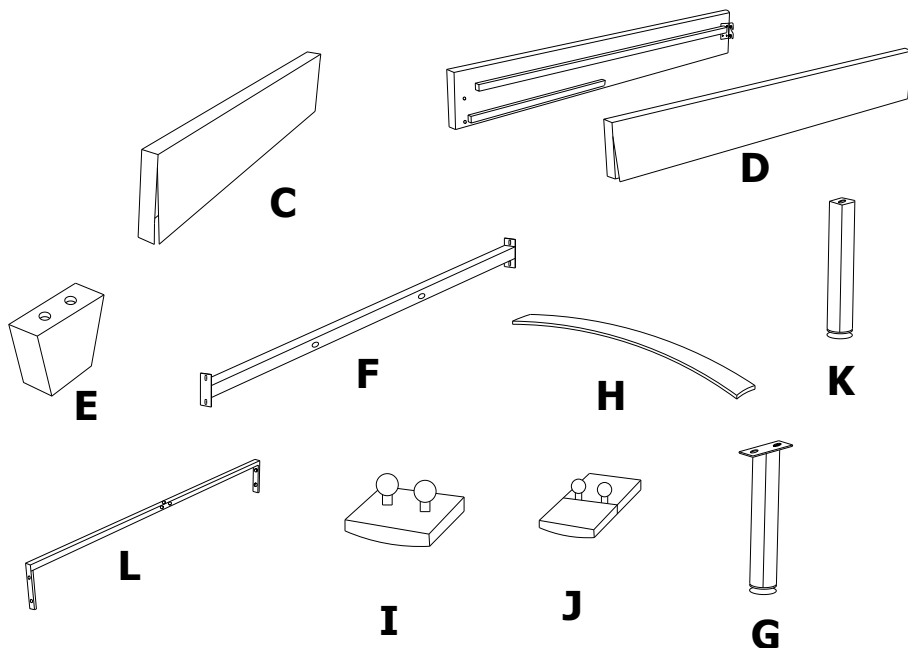
BOX #1

- A. HEADBOARD 1 PC
- B. LEG 2 PCS



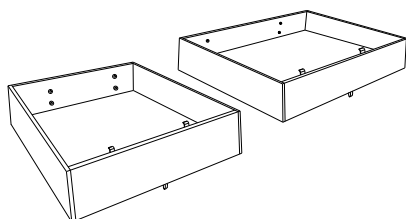
BOX #2

- C. FOOTBOARD 1 PC
- D. SIDE RAIL 2 PCS
- E. FOOTBOARD LEG 2 PCS
- F. CENTER SLAT SUPPORT 2 PCS
- G. CENTER SUPPORT LEG 4 PCS
- H. SLAT 39 PCS
- I. SIDE RAIL SLAT CLIP 26 PCS
- J. CENTER SUPPORT SLAT CLIP 26 PCS
- K. METAL SUPPORT LEG 1 PC
- L. METAL SUPPORT BRACE 1 PC

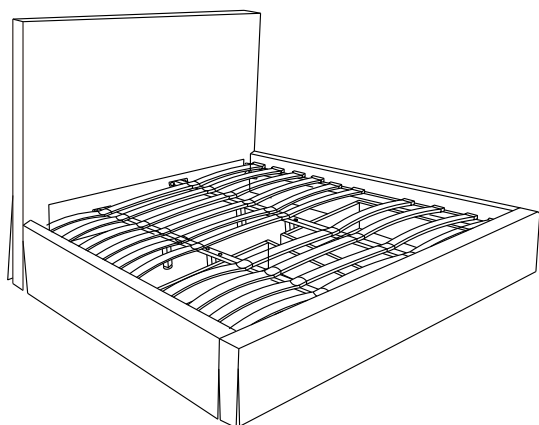


BOX #3

- M. DRAWER BOX 2 PCS



JULIETTE STORAGE BED ASSEMBLED



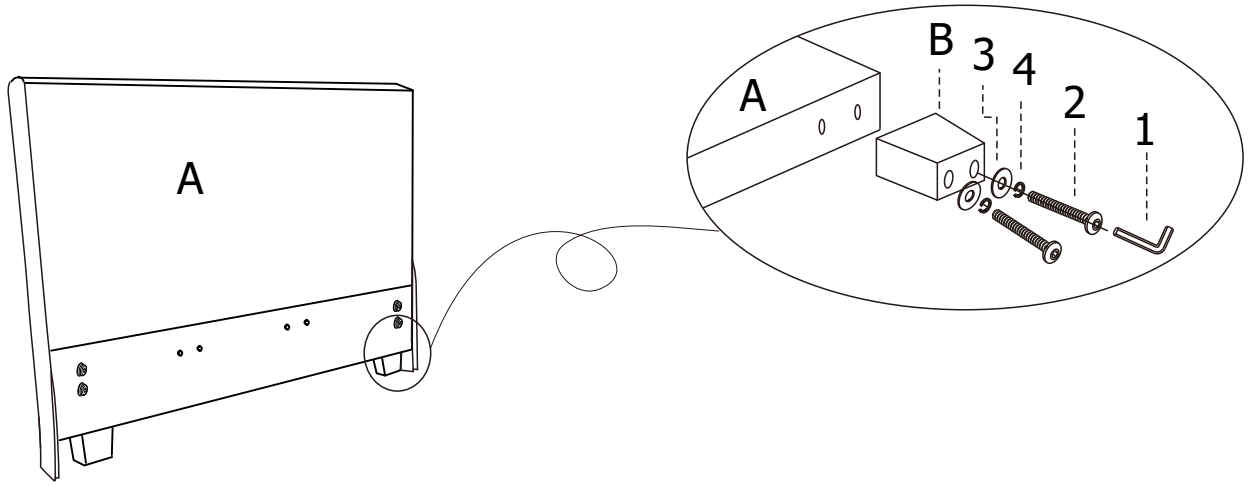
HARDWARE PACKED IN BOX #1			
1	ALLEN KEY 5/16	2	ALLEN BOLT 5/16x3-1/4"
3	FLAT WASHER 5/16	4	LOCK WASHER 5/16
1PC		4PCS	
4PCS		4PCS	

HARDWARE PACKED IN BOX #2			
5	ALLEN KEY 5/16	6	SPANNER 5/16
7	ALLEN BOLT 5/16x1"	8	ALLEN BOLT 5/16x2-1/2"
1PC		1PC	
8PCS		17PCS	
9	ALLEN BOLT 5/16x3-1/4"	10	FLAT WASHER 5/16
11	LOCK WASHER 5/16	12	HEX NUT 5/16
2PCS		39PCS	
39PCS		12PCS	

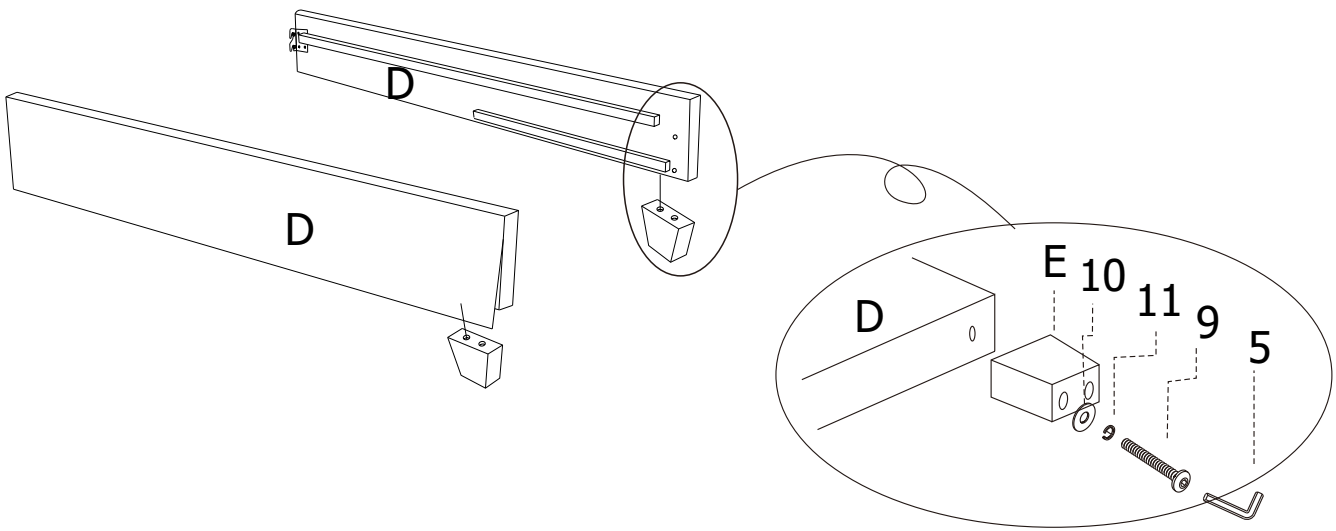
HARDWARE PACKED IN BOX #3			
13	ALLEN KEY 1/4"	14	ALLEN BOLT 1/4"x1-1/4"
15	FLAT WASHER 5/16	16	LOCK WASHER 5/16
1PC		8PCS	
8PCS		8PCS	

YOUR BED MAY CONTAIN EXTRA HARDWARE

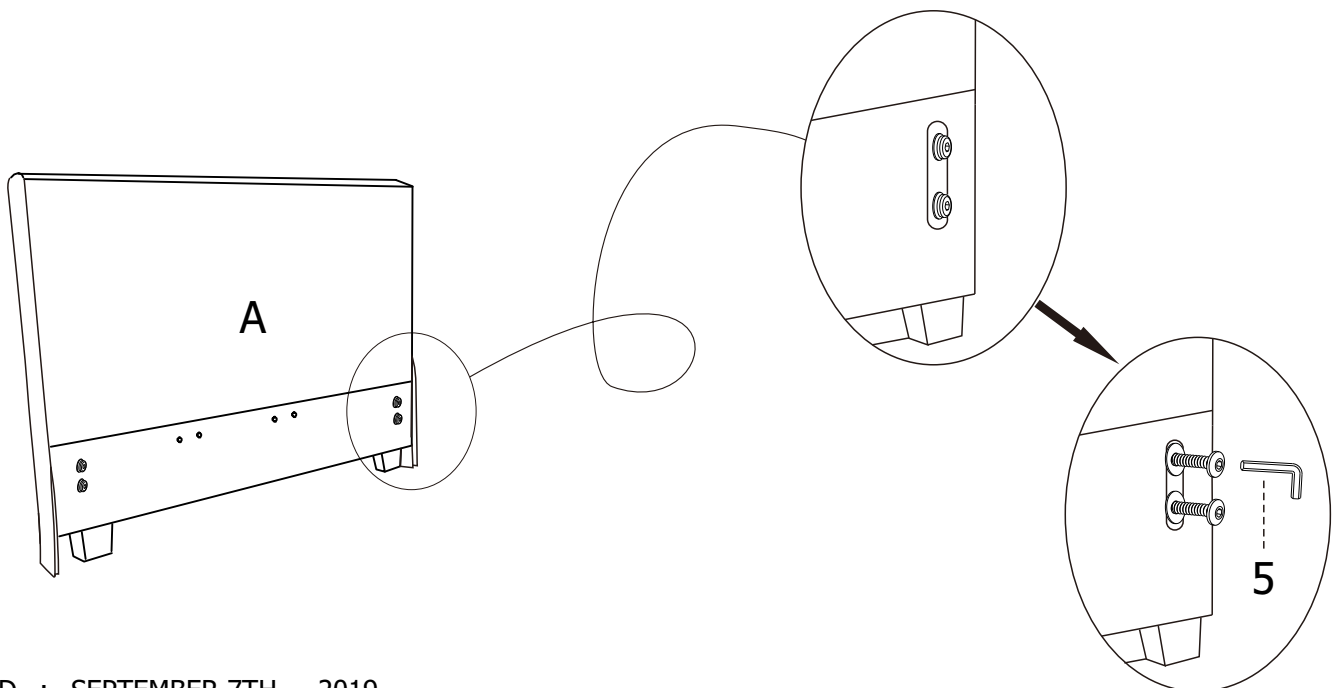
STEP 1 :



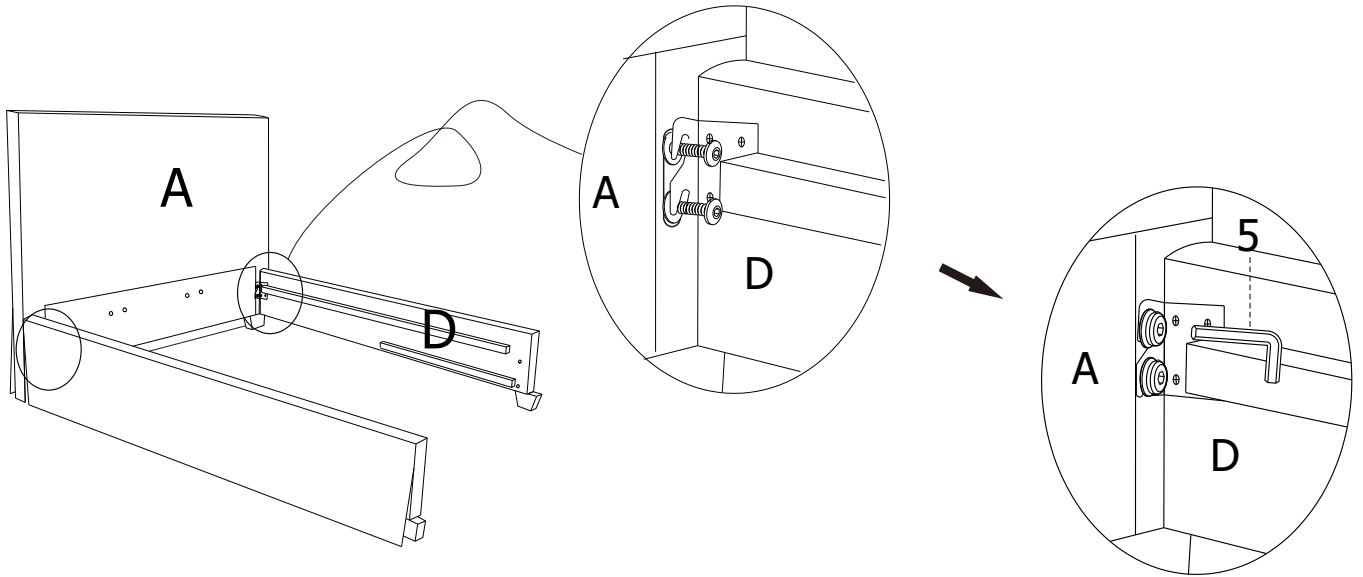
STEP 2 :



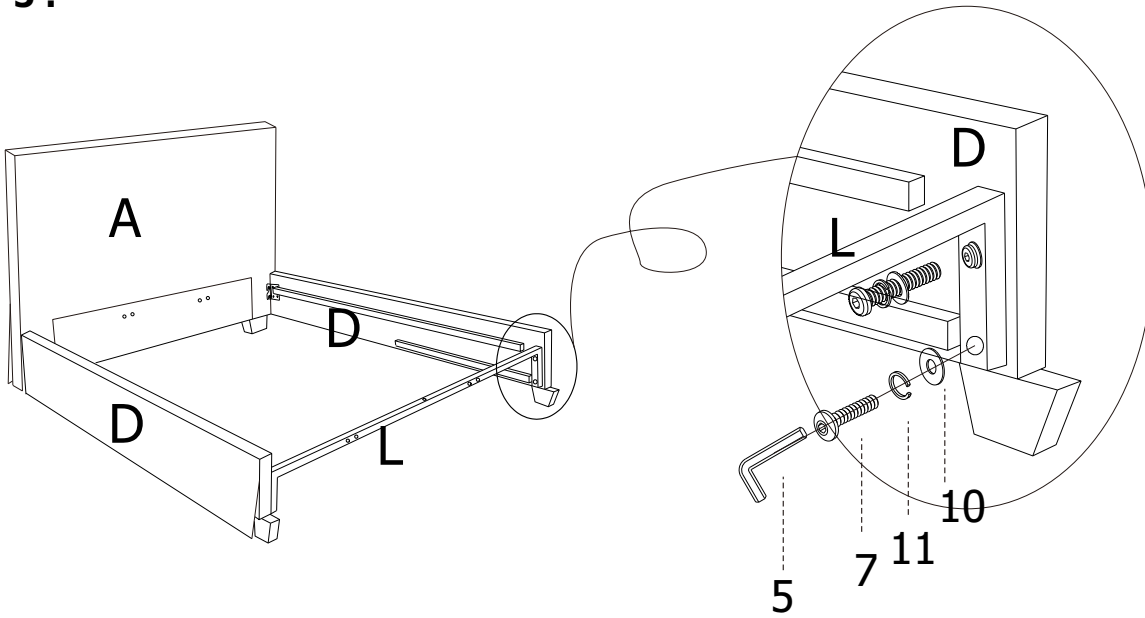
STEP 3 :



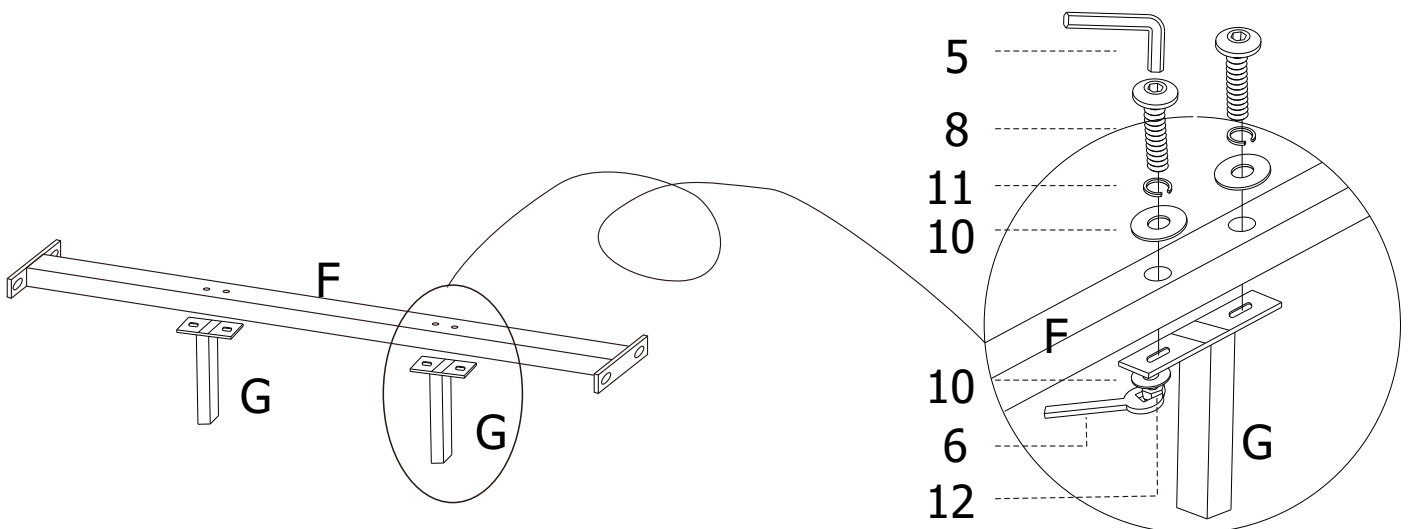
STEP 4 :



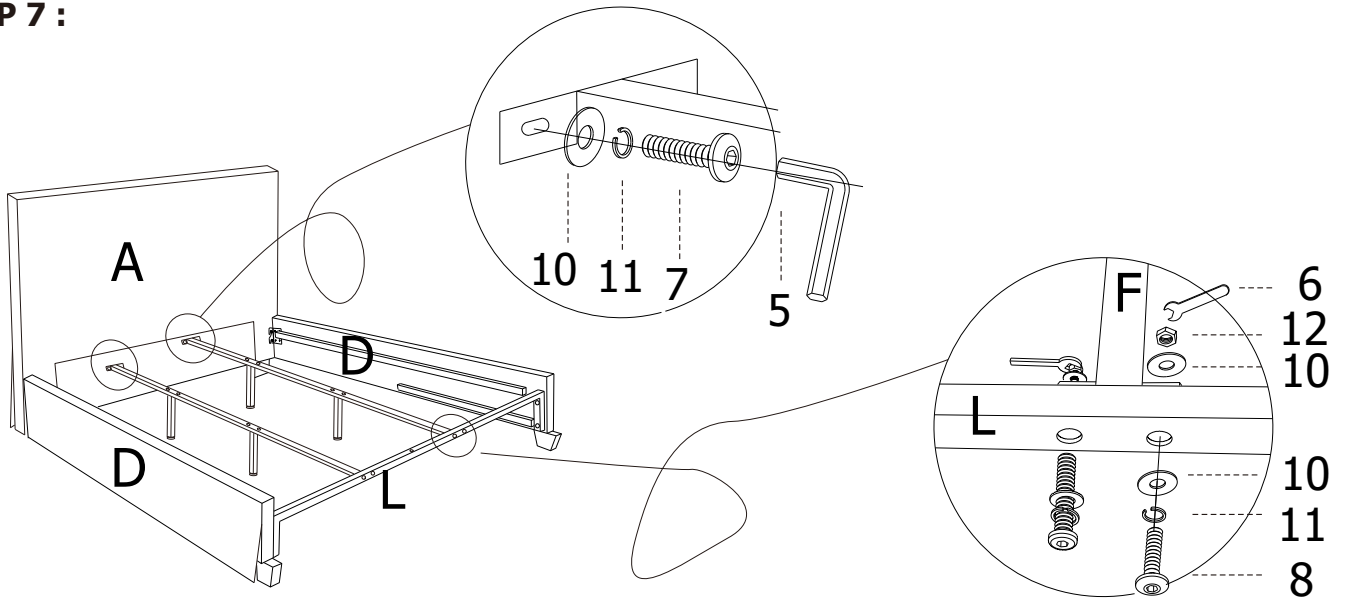
STEP 5 :



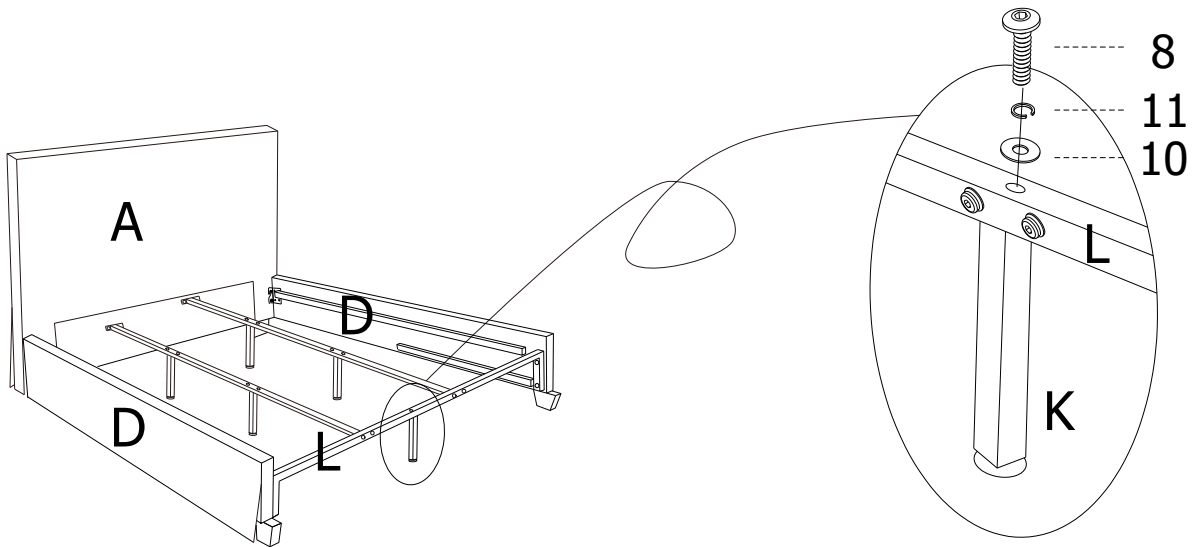
STEP 6 :



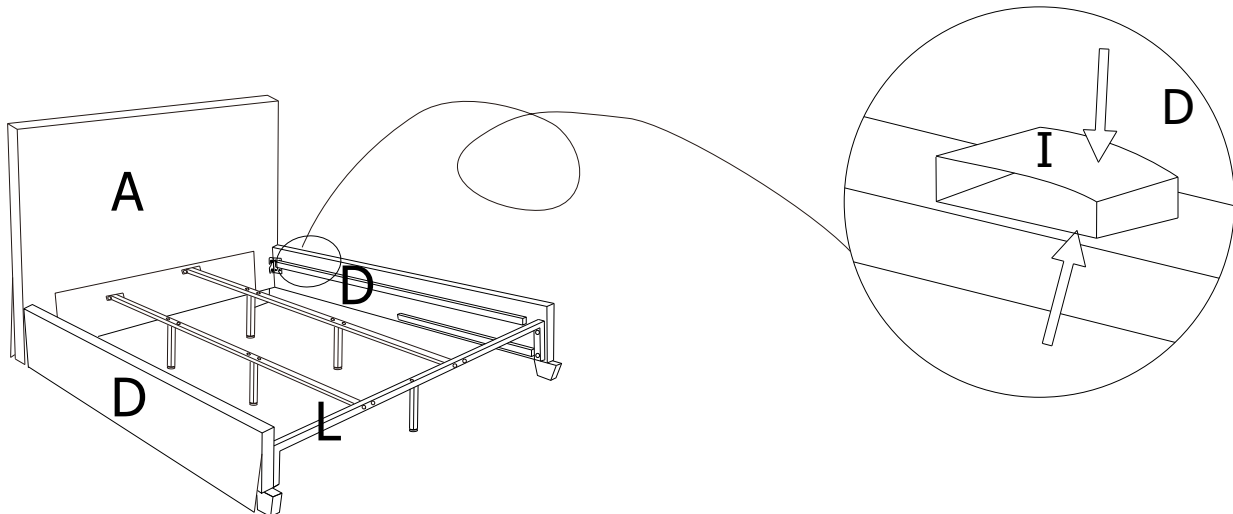
STEP 7 :



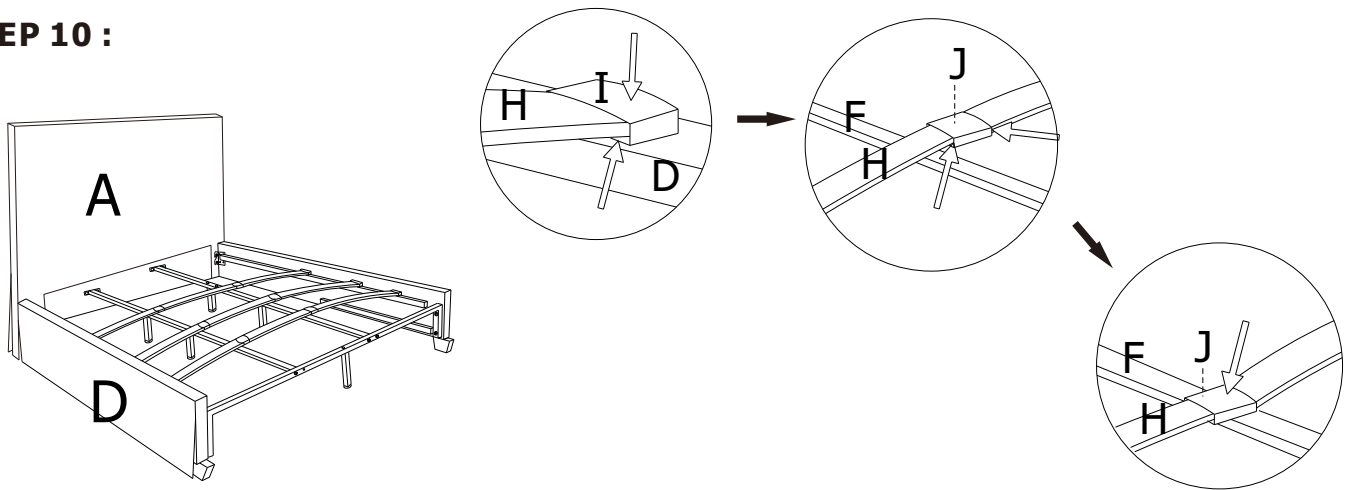
STEP 8 :



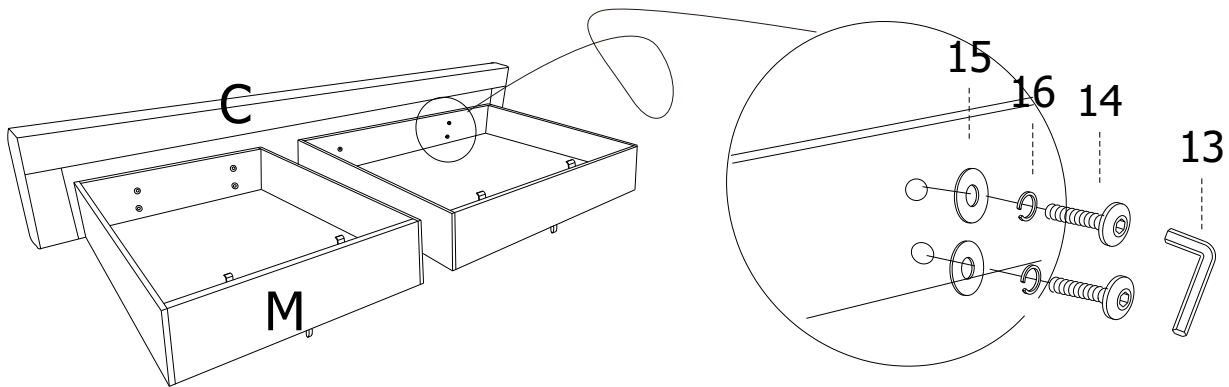
STEP 9 : STARTING FROM HEADBOARD



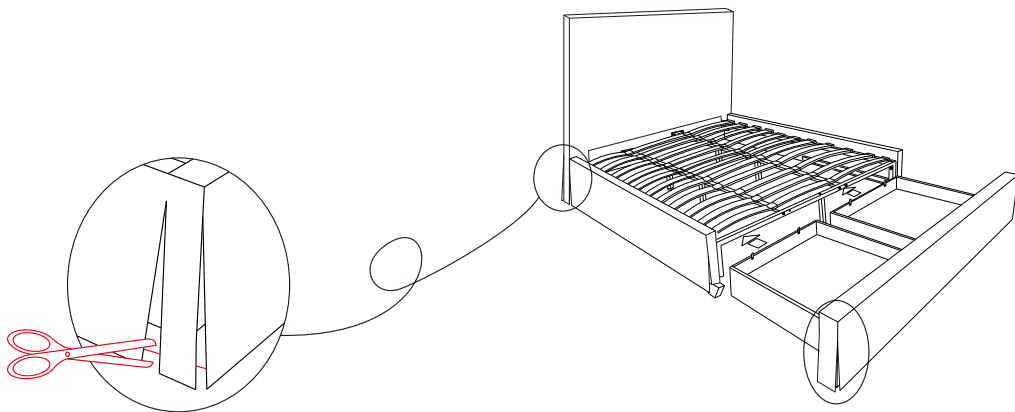
STEP 10 :



STEP 11 :



STEP 12 :FOR FABRIC TO LAY CORRECTLY CUT THREADS SECURING PLEATS.

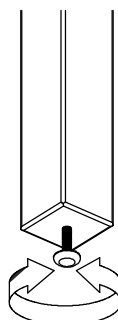


INSTRUCTIONS FOR ADJUSTING LEVELERS :

POSITION THE BED IN YOUR ROOM. LOCATE LEVELERS UNDER EACH SUPPORT LEG (G/K).

TURN COUNTER-CLOCKWISE TO EXTEND, CLOCKWISE TO CONTRACT.

ADJUST LEVELERS UNTIL EACH LEG SUPPORT IS APPLYING EQUAL UPWARD PRESSURE ON THE CENTER SLAT.



MAINTENANCE INSTRUCTIONS :

- REMOVE BOX SPRING AND MATTRESS BEFORE MOVING YOUR BED.
- LIFT YOUR BED WHEN MOVING IT. DRAGGING CAN DAMAGE CENTER SUPPORT.
- READJUST LEVELERS AFTER MOVING YOUR BED.