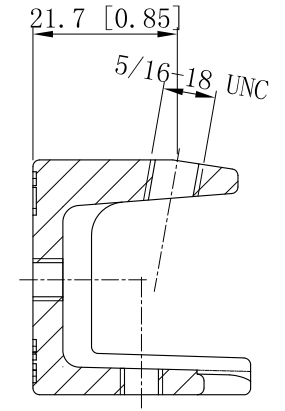
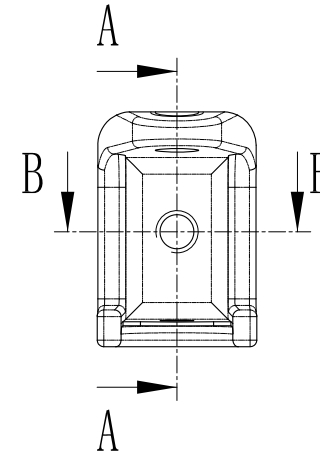
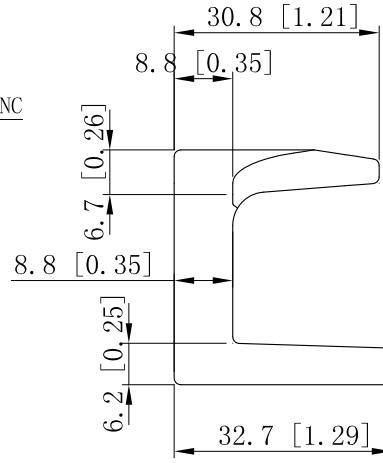
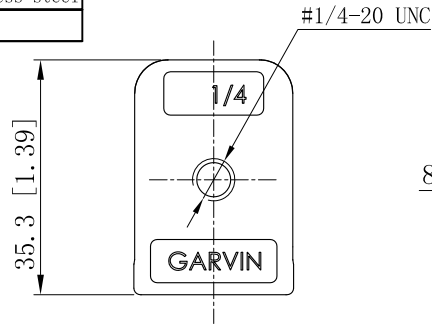
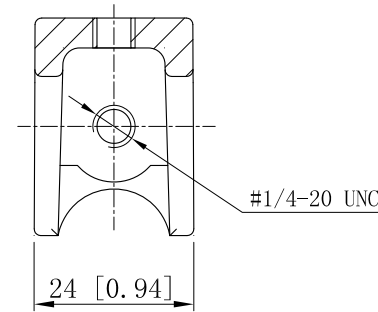
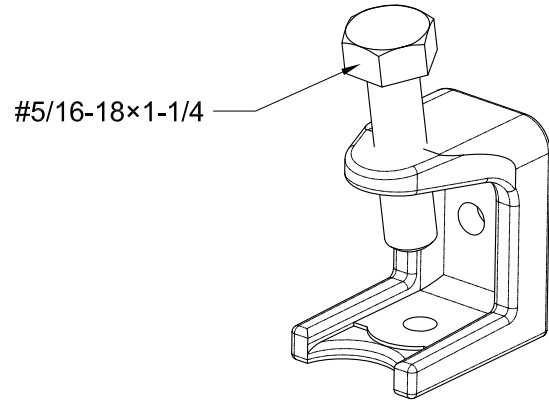


SIDES	BOTTOM
1 PCS 5/16-18×1 1/4 Screws Installed, 316 Stainless steel	
Material: Steel- 316 Stainless steel	



CUTAWAY VIEW A-A



CUTAWAY VIEW B-B

This data sheet is for reference only .GARVIN INDUSTRIES reserves the right to make changes to the design without prior notice.

DESCRIPTION
TRADE REFERENCE TERMS

STANDARD PACKING
50 PCS

GARVIN INDUSTRIES		
TITLE BEAM CLAMPS		
SIZE A4	DWG NO. MBC-1420-SS	REV
DATA SHEET		