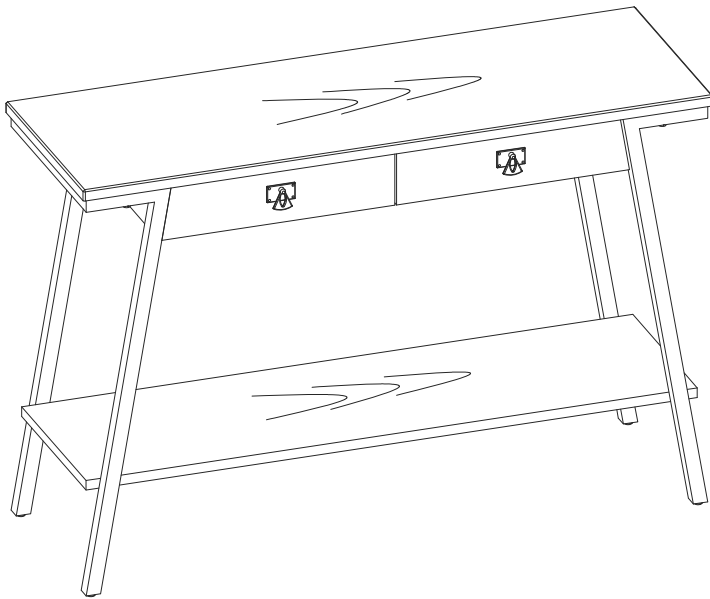
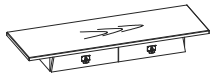




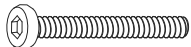

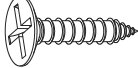



Thank you for purchasing Leick Furniture products.  
Contact customer service for comments or concerns.

Sheboygan, WI 920-451-4060 info@leickfurnituresince1910.com www.leickfurnituresince1910.com

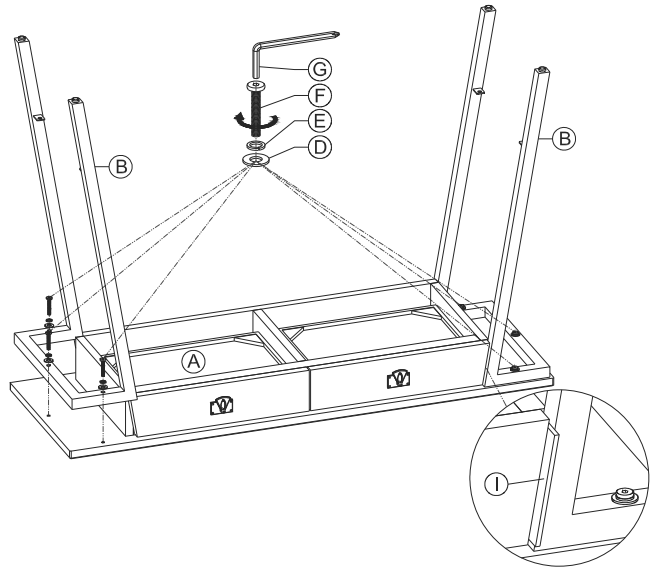
## Assembly Instructions, #11433 Sofa Table



A: Top	
B: (2) Metal Legs	
C: Shelf	
D: (6) Flat Washers	
E: (6) Lock Washers	
F: (6) Bolts	
G: Allen wrench	
H: (4) Screws	
I: (2) Plastic Spacer	

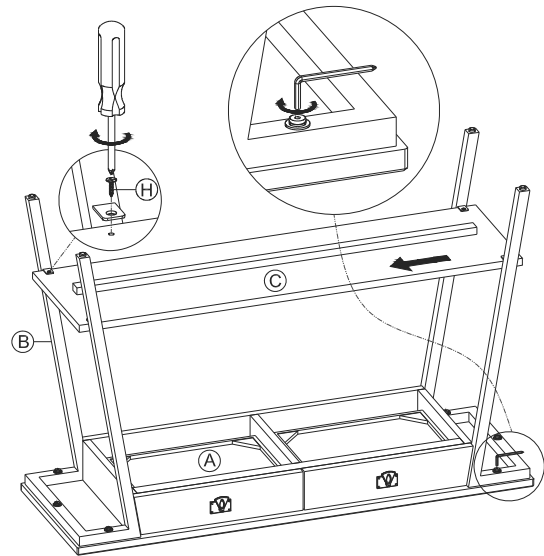
### Step 1

Place the top upside down on a soft surface. Insert a plastic spacer (I) between metal leg and drawer before fasten the metal legs (B) with bolts. Do not tighten.



### Step 2

Slide the shelf (C) into the table and fasten the shelf with screws into the plastic inserts. Now tighten all bolts in step one. Open the drawer to remove the plastic spacer. (Plastic spacer keeps the proper drawer clearance.)



### Step 3

Adjust levelers on the bottom of metal legs if needed.

