



Item No: TD-11324A-Farmer

Fantasy Fields – Happy Farm Small Wooden Figurines

WARNING

Small parts and sharp points may be present prior to assembly.

CARE INSTRUCTIONS

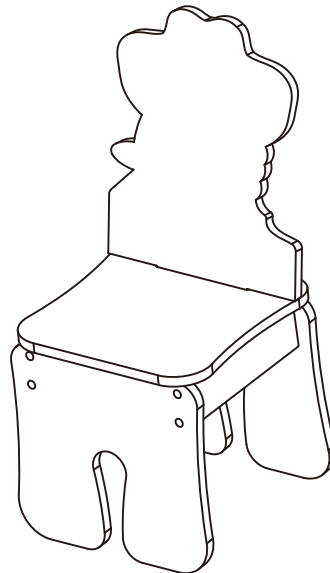
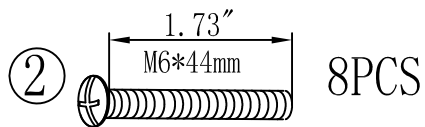
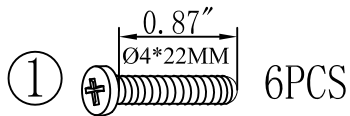
To clean your product, use mild soap and water on a damp cloth. Do not use window cleaners or cleaning abrasives as they will scratch the surface and could damage the protective coating.

CUSTOMER SERVICE

For questions regarding this product, or to receive replacement or missing parts, please contact customer service based on your location. Please have ready the model number and part number(s) located in this assembly instruction sheet when you contact us.

www.fantasyfields.com

HARDWARES:

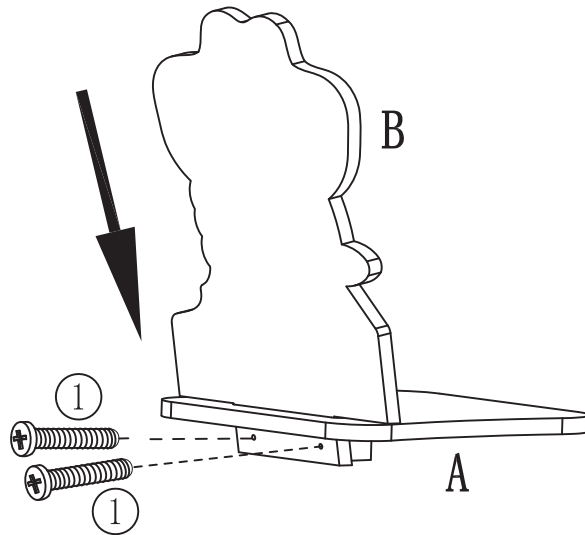


PRODUCT PARTS:

A	B	C	D
1PC	1PC	2PCS	1PC
E			
1PC			

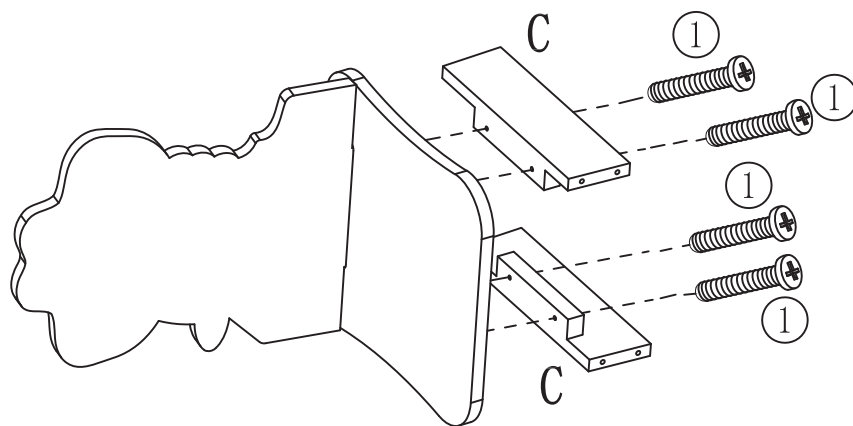
Step1

①  2PCS
ø4*22MM



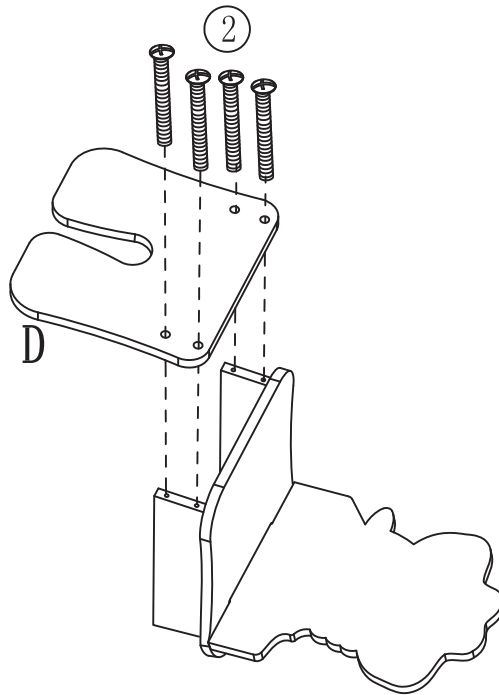
Step2

①  4PCS
ø4*22MM



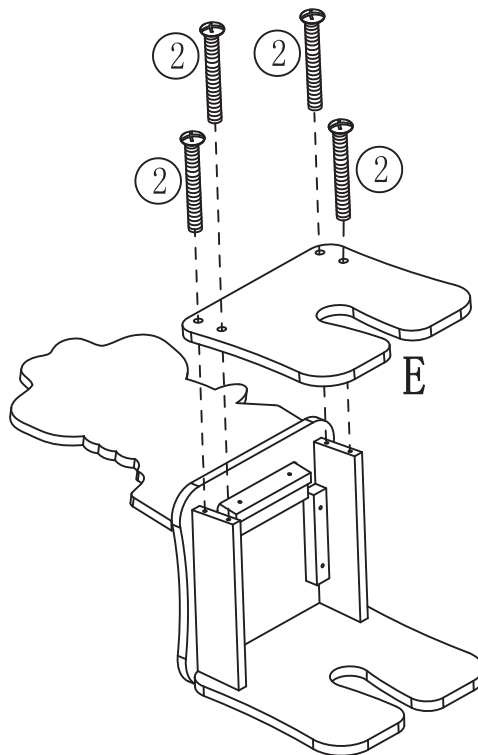
Step3

②  4PCS
M6*44mm

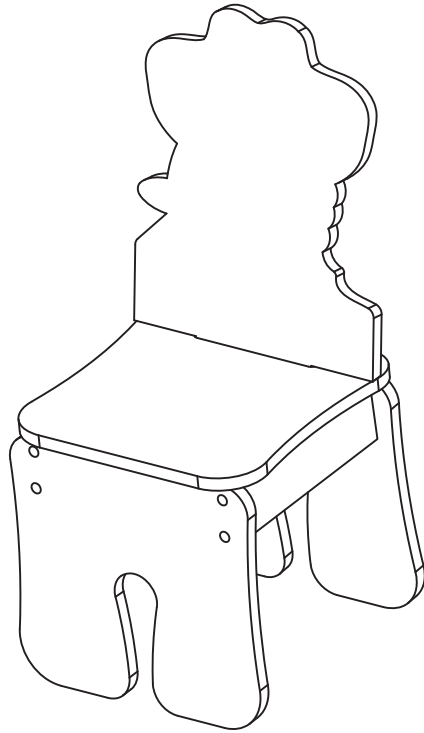


Step4

②  4PCS
M6*44mm



Step5



MADE IN CHINA