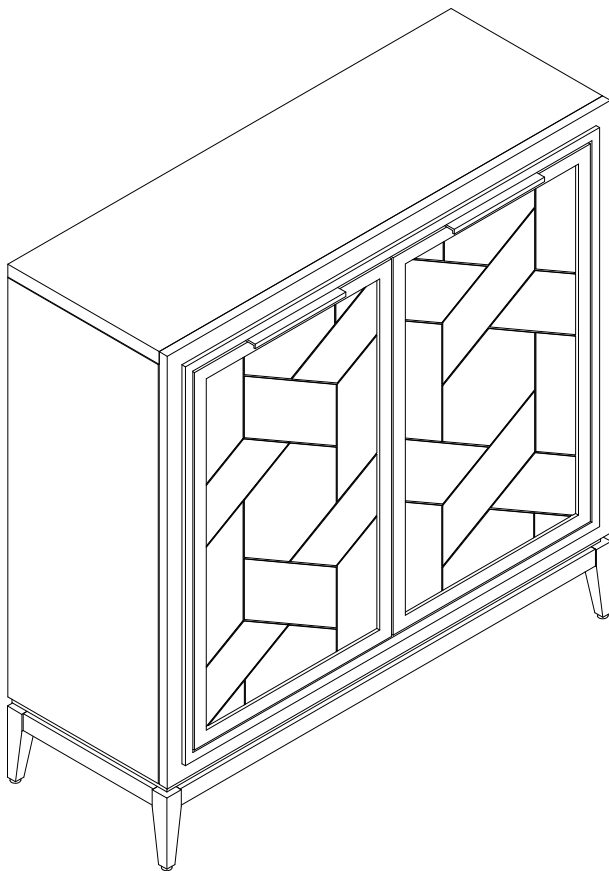


Thank you for purchasing Leick Furniture products.
Contact customer service for comments or concerns.

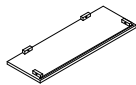

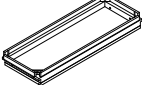
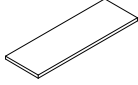
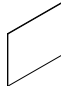






Assembly Instructions, #10143 Emmett Foyer Cabinet

Note:

A packet with complete set of hardware can be found by pulling the red ribbon that's easily visible upon opening the box.

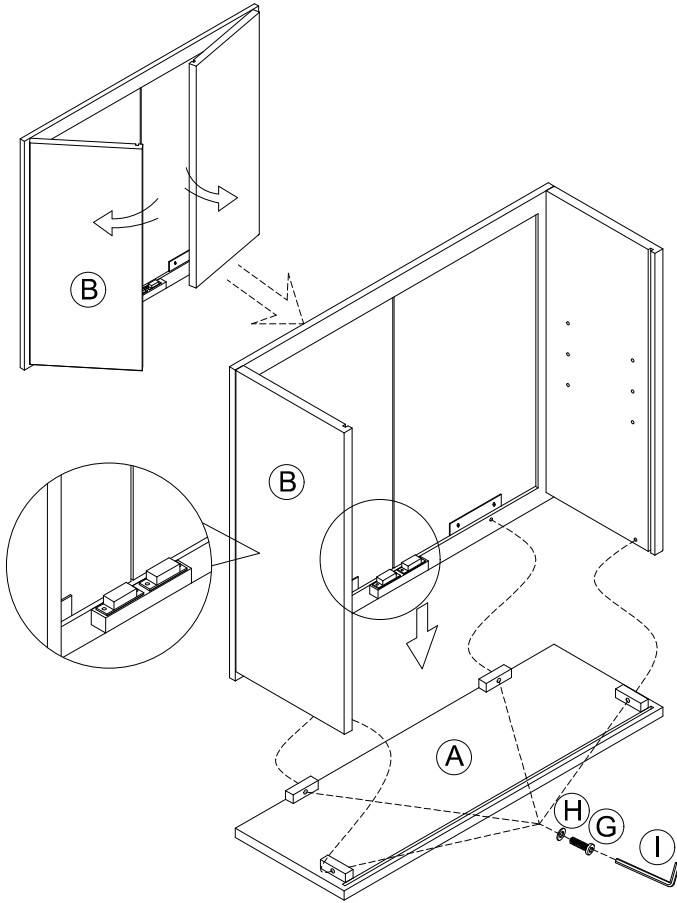


Parts and Hardware List

A	Top Panel		1
B	Front Frame		1
C	Bottom Frame		1
D	Adjustable Shelf		1
E	Back Panel		1
F	Legs		4
G	Bolts		12
H	Flat Washers		12
I	Allen Wrench		1
J	Shelf Supports		4
K	Anti-tipping kit		1

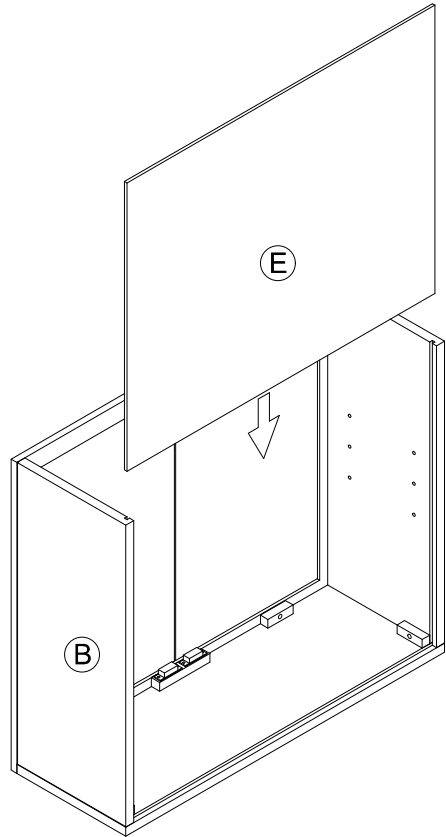
Step 1

- 1.1 Place the top (A) upside down on a soft and clean surface.
- 1.2 Unfold the front frame (B) upside down (check to make sure the pulls are on the lower edge of doors this time) and place it on top, fasten with four bolts.



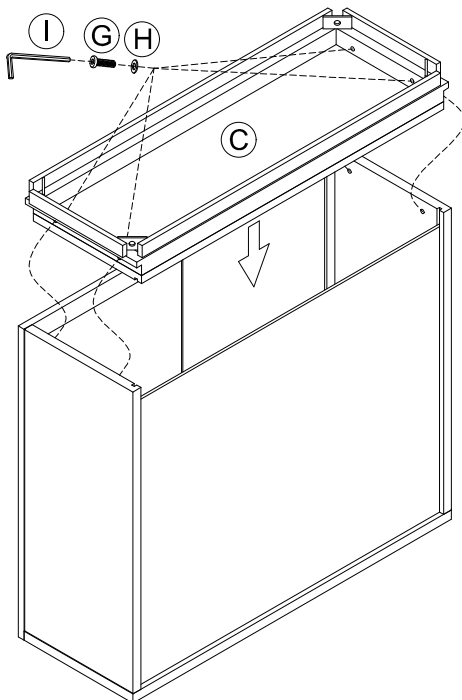
Step 2

- 2.1 Insert the back panel (E) into grooves of top and side panels.



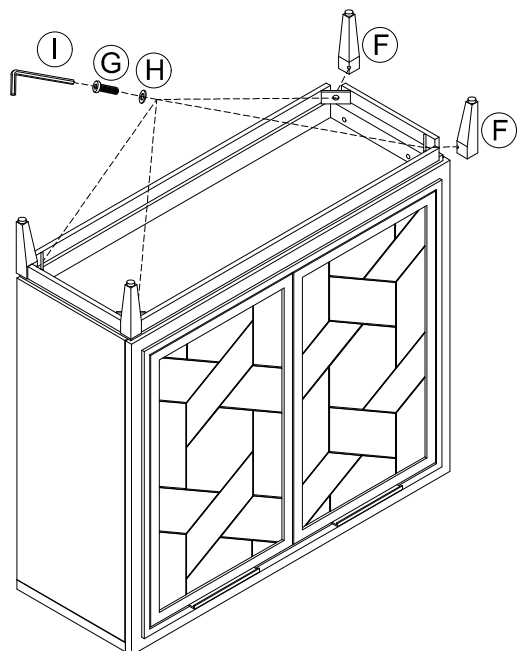
Step 3

- 3.1 Place the bottom frame (C) onto the assembled parts (A, B & E), align back panel's edge into bottom frame's (C) groove, fasten with four bolts into side panels.



Step 4

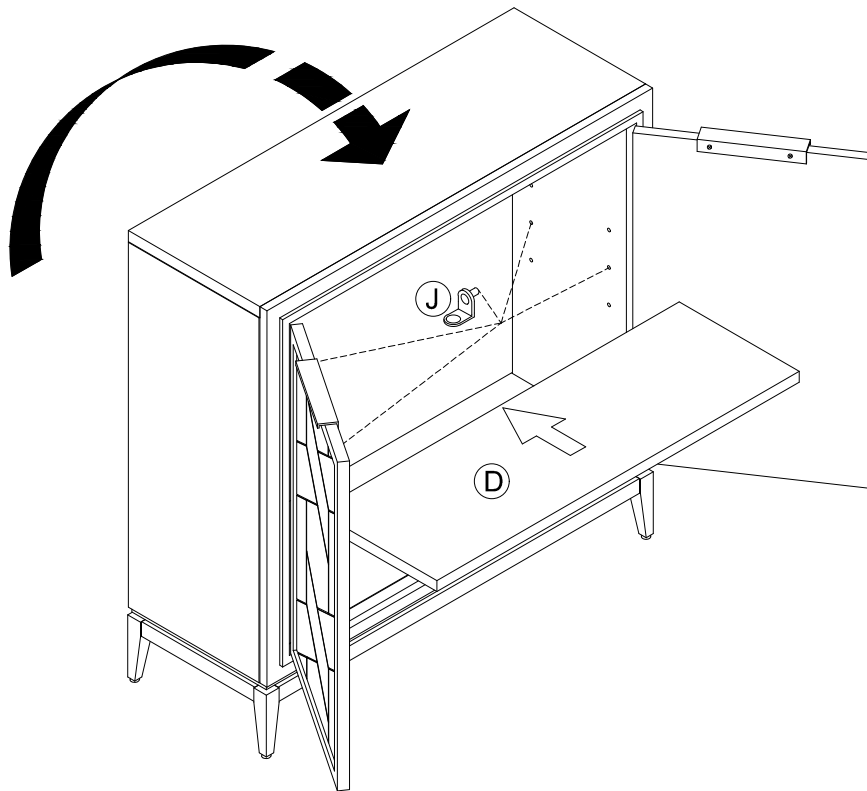
- 4.1 Fasten four legs onto bottom frame with four bolts.



Step 5

5.1 Flip the assembled piece upright with the door facing up. Follow the flipping direction shown by the arrow.

5.2 Insert 4 shelf supports onto the inner face of side panels and slide the shelf in.



Step 6

6.1 Adjust the levelers at the bottom of legs if needed.

6.2 Fasten one part of the anti-tipping kit onto pre-drilled holes of back panel and another part into the wall. Loop the strap through the holes of the fastened parts and pull its end to tighten.

