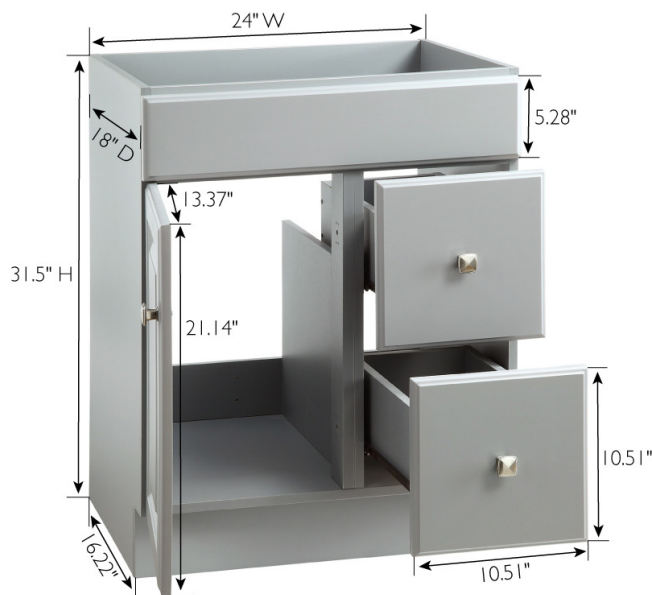


Wyndham Unassembled 1-Door 2-Drawer Vanity 24x31.5x18
Gray



SPECIFICATIONS

MATERIAL CONSTRUCTION:	MDF	FRAME STYLE:	Frameless
ASSEMBLY REQUIRED:	Yes	FACE FRAME MATERIAL:	N/A
TOOLS NEEDED FOR ASSEMBLY:	Wrench, Screwdriver	SIDES MATERIAL:	Particle Board
ASSEMBLED DIMENSIONS:	31.5" H x 24" L x 18" D	BOTTOM MATERIAL:	Particle Board
ASSEMBLED WEIGHT:	57.32 lbs.	TOE KICK INSET WIDTH:	4.5"
HINGE STYLE:	Concealed	BACK PANEL MATERIAL:	N/A
DOOR STYLE:	1 Slab Door	BACK BRACE MATERIAL:	Particle Board
DRAWER STYLE:	2 Drawers		
GLIDE STYLE:	STD Easy Glide		
FAKE DWR STYLE:	N/A		
DWR DIMENSIONS:	10.5" H x 10.5" L x 15.6" D		
DWR CONSTRUCTION:	Standard		
SHELF STYLE:	N/A		
SHELF ADJUSTABILITY INCREMENTS:	N/A		
SHELF MAX WEIGHT CAPACITY:	N/A		
SHELF DIMENSIONS:	N/A		
SHELF THICKNESS:	N/A		
SHELF MATERIAL:	N/A		



WARRANTY: 1-Year limited warranty
TITLE IV COMPLIANT: Yes
PROP 65 HARMFUL MATERIAL: Formaldehyde



TYPE:
JOB:
ORDER CODE:
APPROVALS: