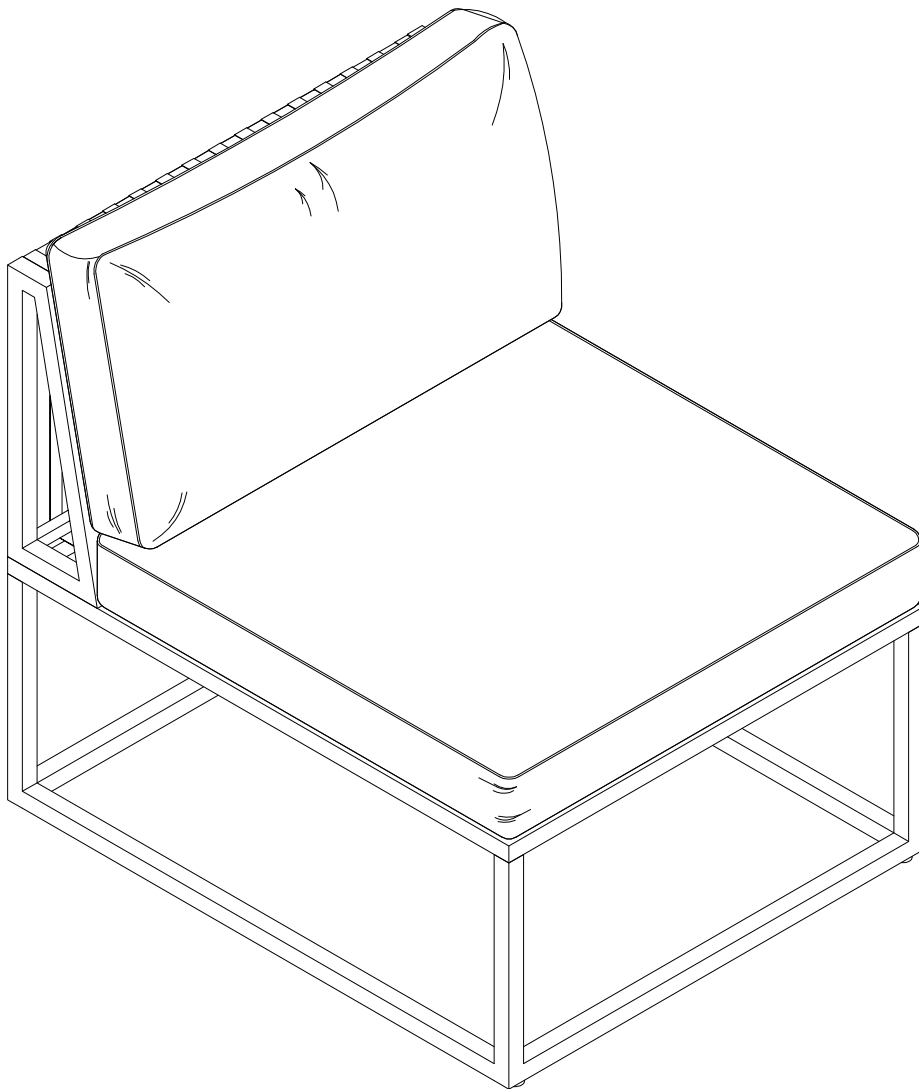


Item # : ORTRINCHBU

Assembly Instructions



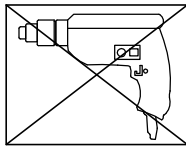
Walker Edison®

Please visit our website for the most current instructions, assembly tips, report damage, or request parts. www.walkeredison.com

Revised 08/08/2019(L)

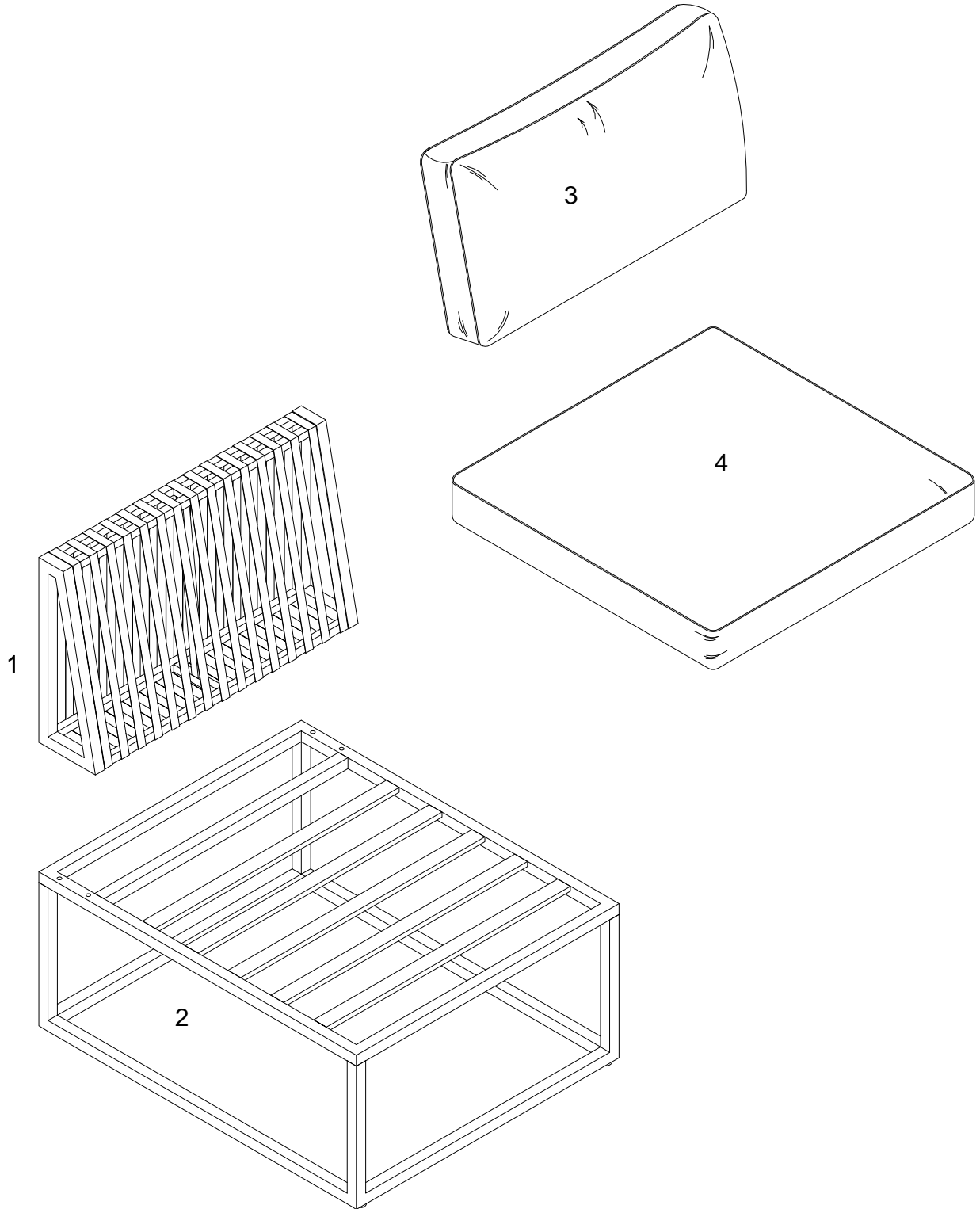
General Assembly Guidelines

- I. Ensure that all parts and hardware are available before beginning assembly.
- II. Follow each step carefully to ensure the proper assembly of this product.
- III. Two people are recommended for ease in the assembly of this product.
- IV. The main type of hardware used to assemble this product are: bolts and screws.
- V. Power tools should not be used to assemble this product.

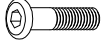




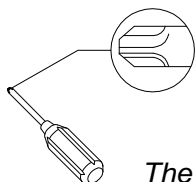
- VI. Drill may be needed for securing product to wall.

Parts List



Hardware List

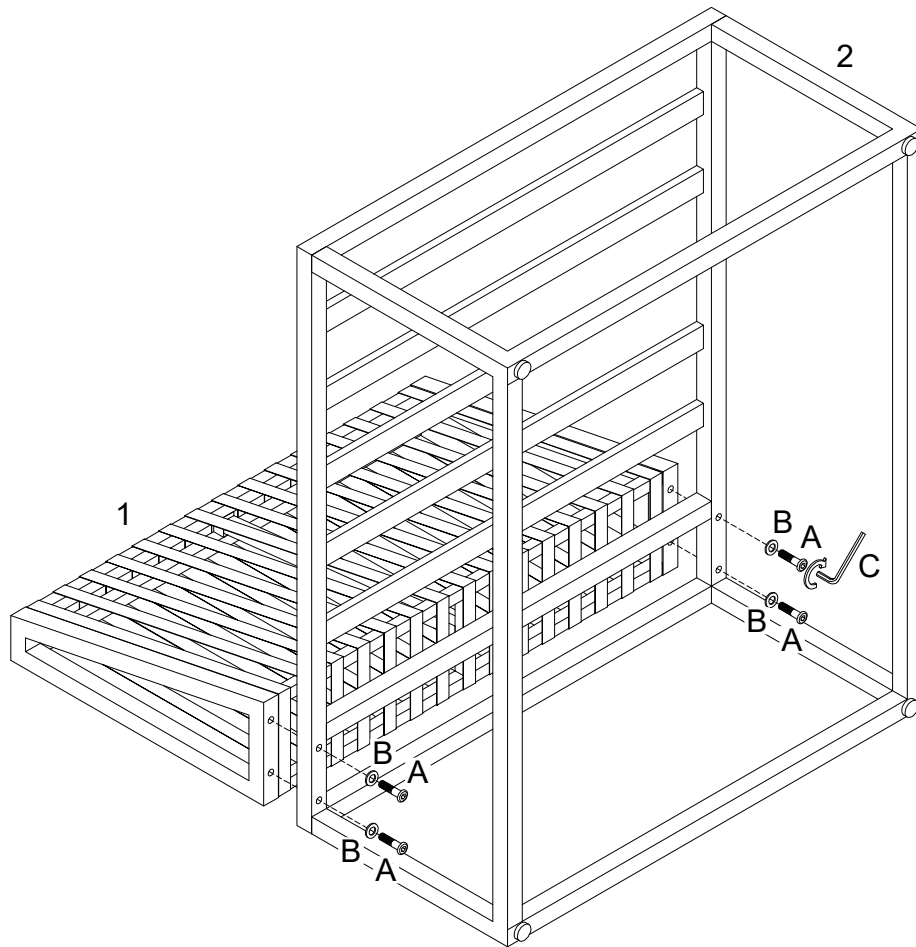
A		M6x38mm	Bolt	4 pcs
B			Flat washer	4 pcs
C		M 4	Hex Key	1 pc



Philips head screwdriver required for assembly
(not included)

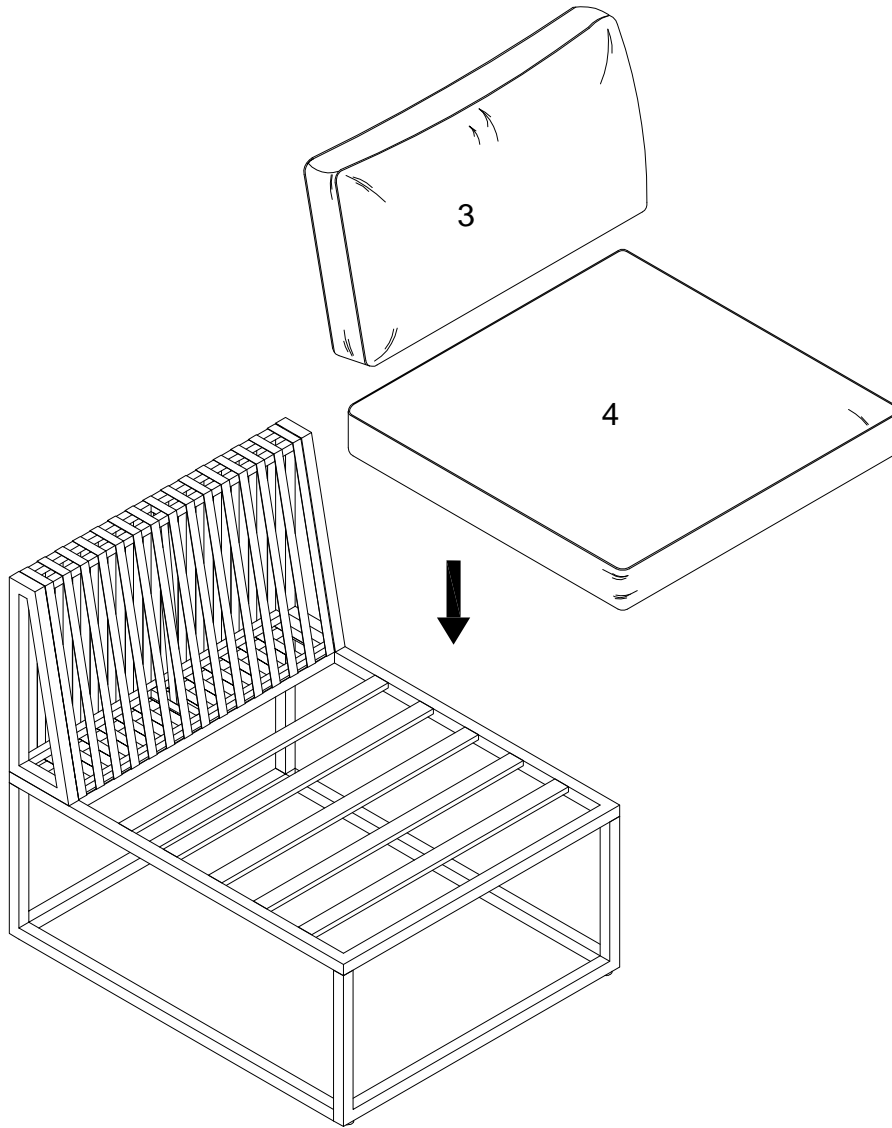
*The hardware quantities listed above are required for proper assembly.
Some extra hardware may also have been included.*

Step 1



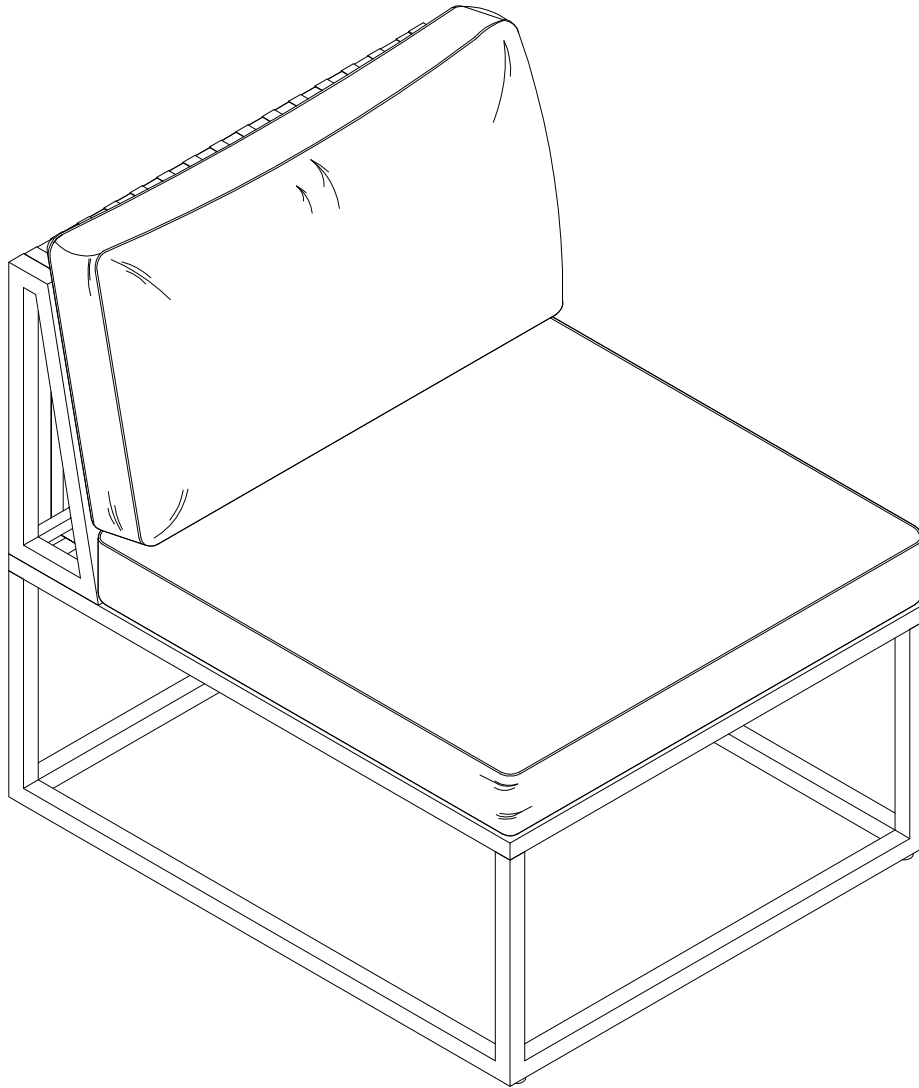
Using flat washer (B) and bolt (A) to attach part (2) to part (1) with hex key (C) as per diagram.

Step 2



Place cushion (3, 4) on unit as per diagram.

Step 3



Final Assembly