

Color-Changing LIGHT

Ages 7 to 97
#1798

Design your very own color-changing, glitter and glow light!

Important Information About This Paint:

- The paint included is a specially formulated non-toxic acrylic paint that dries permanently on most surfaces, so be careful.
- Cover your work surface with newspaper. Have a cup of water and paper towels handy.
- Wear a paint smock and old clothes. This paint may stain fabrics, furniture and other porous surfaces. Clean up any spills immediately while the paint is still wet.
- Color paints may settle and separate over time. With the cap on, shake well before using. Black liner does not need to be shaken.
- Save any leftover paint to touch up your design.
- For best results, store paint at room temperature and keep from freezing.
- Select a work area where you can leave your paint to dry overnight.

You will need: Newspaper, paper towels, 2 AA batteries, tape

Battery Cautions:

- Use only Alkaline batteries.
- Non-rechargeable batteries are not to be recharged.
- Do not mix different types of batteries or new and used batteries.
- Only batteries of the same or equivalent type as recommended should be used.
- Batteries are to be inserted with the correct polarity.
- Exhausted batteries are to be removed from the toy.
- The supply terminals are not to be short-circuited.
- Packaging and instructions must be kept since they contain important information.

Design Time

You can come up with your own unique design ideas or use the pattern sheets included. You can design it to match your room, or whatever suits your style. For ideas and inspiration, look at the samples printed on the box.

Use the marker and tracing paper to sketch out your design. Place the pattern sheet under your tracing paper and follow along or come up with your own unique look. When you are finished, you will use this drawing as a painting guide for your lampshade.

Helpful Hint – When designing, leave some room on either edge of the lamp where the slots and notches are. This will keep your paint from peeling off during assembly.

Painting Your Lamp

- Cover your work space with newspaper.
- Place the lampshade over your tracing paper design. Use a few pieces of tape to hold it in place.

- Use the black outline paint to trace your design onto the lampshade. If you're right handed, start at the left of your design. If you're left handed, start at the right of your design. This will keep your hand from bumping into the wet paint. If your outline pen gets a little messy use a paper towel to clean the tip.

- As you work, use gentle even pressure. Do not apply the outline paint too thickly, or you may not have enough paint to finish your design. Once you are finished with the outline, let it sit for approximately 15 minutes to dry.

Once your outline paint is dry to the touch, it's time to fill in your design. The paint colors will brighten and intensify as they dry. For best results, apply a thin, even layer of paint – this will allow your paint to go farther. If the paint is too thick it will take a long time to dry and you may run out of the colors you need. Use the nozzle to spread the paint around filling in your design. Use the glitter paint to create sparkling accents.

The paint may remain tacky for up to 24 hours. Once it's completely dry, add the faceted gemstones to the lampshade for a glistening effect. Just peel and press them into place.



Page 2

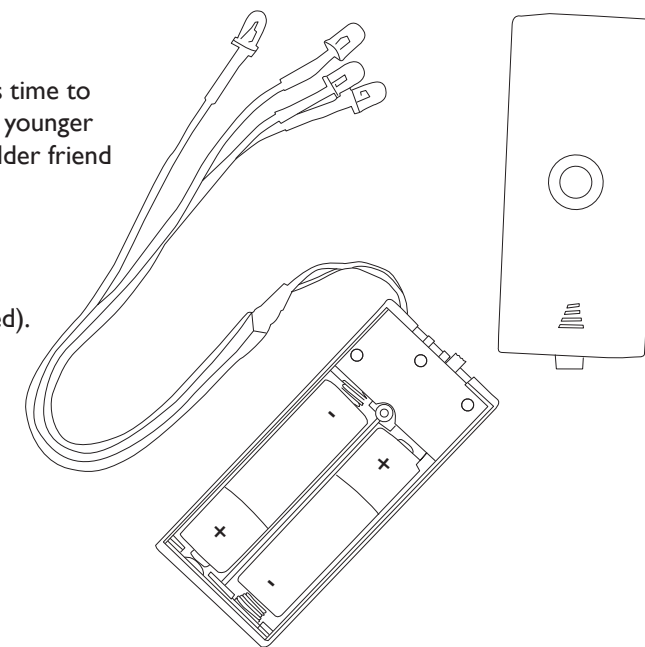
Assembling Your Light

Once your lamp shade is completely dry, it's time to assemble. This part may be a little tricky for younger children. If you need help, ask an adult or older friend for assistance.

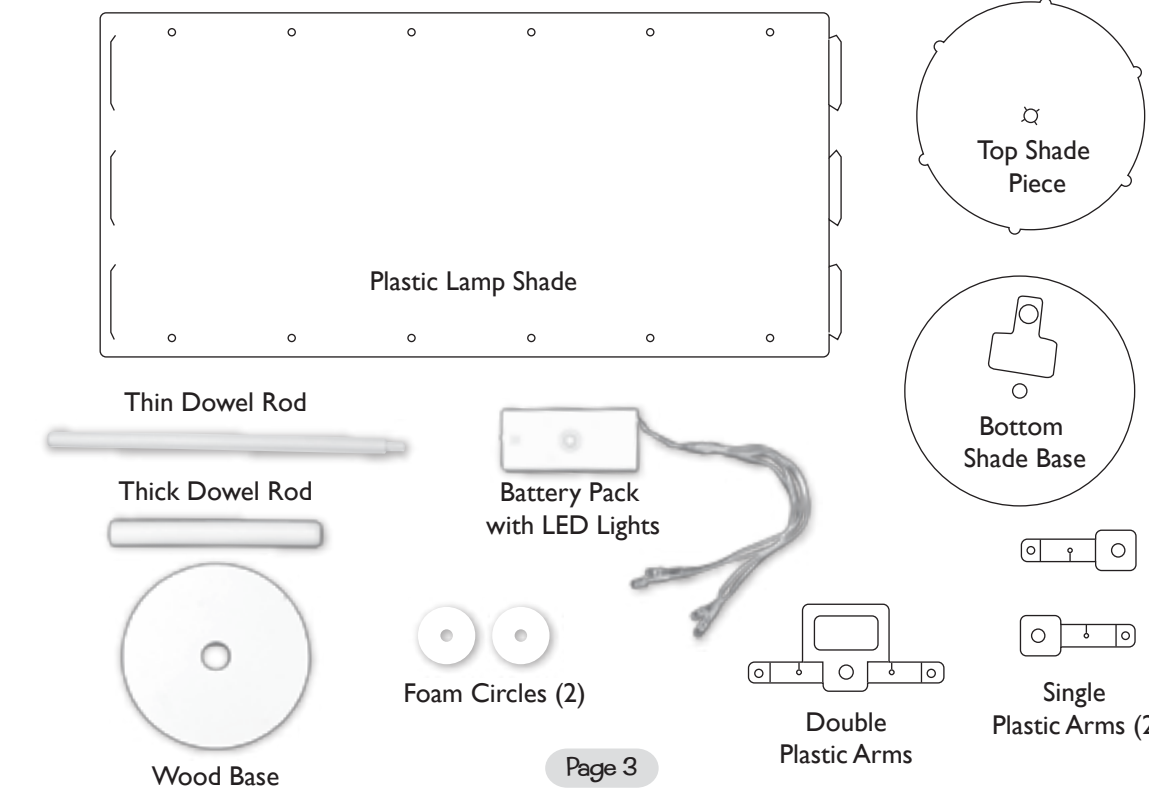
Installing the batteries

You will need two AA batteries (not included).

With adult help, insert the batteries into the battery pack as shown. Be sure to match up the + and – markings on the battery pack with your batteries. Slide the cover back on and set aside.



Light Pieces

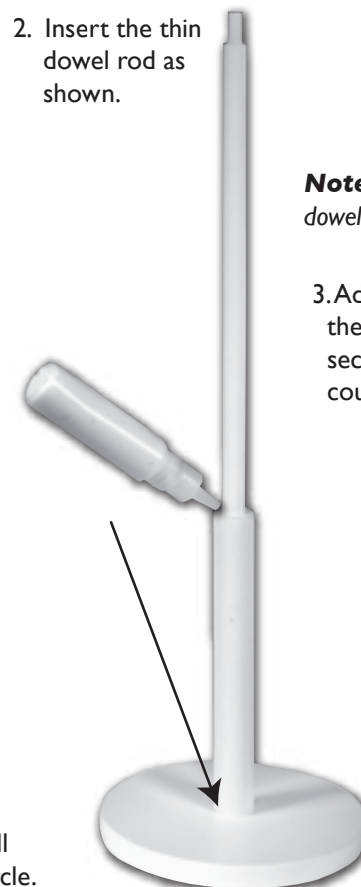


Page 3

1. Insert the thick dowel rod into the base. The side with the indented hole should face up.



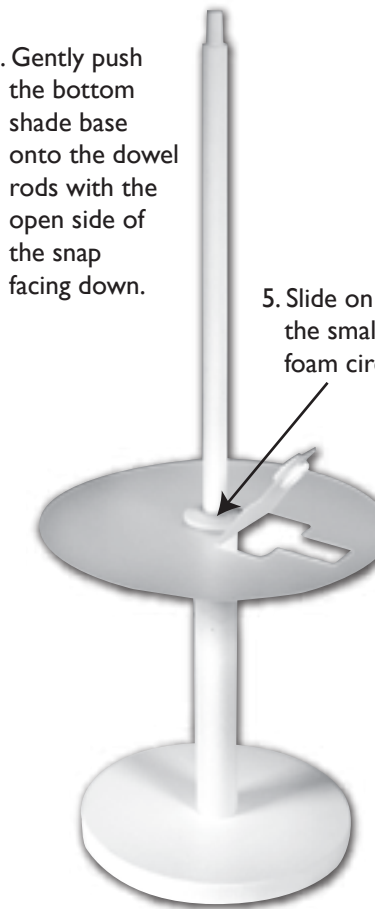
2. Insert the thin dowel rod as shown.



Note - the thinnest part of the dowel rod should be at the top.

3. Add a couple dots of glue where the dowel rods meet to keep them securely in place. Let them dry for a couple of minutes.

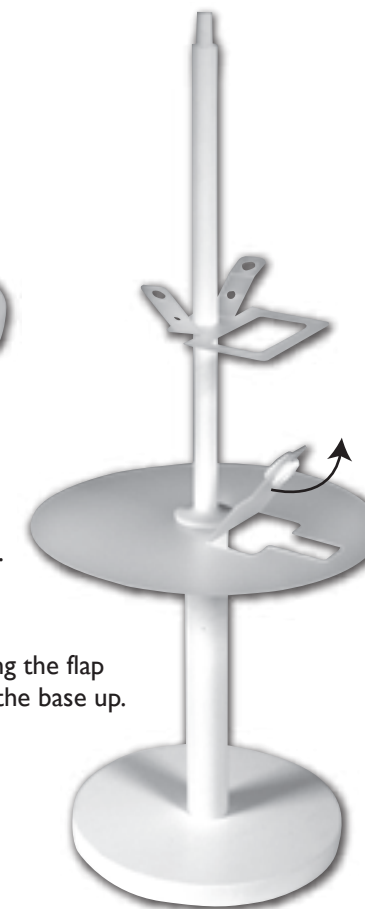
4. Gently push the bottom shade base onto the dowel rods with the open side of the snap facing down.



5. Slide on the small foam circle.

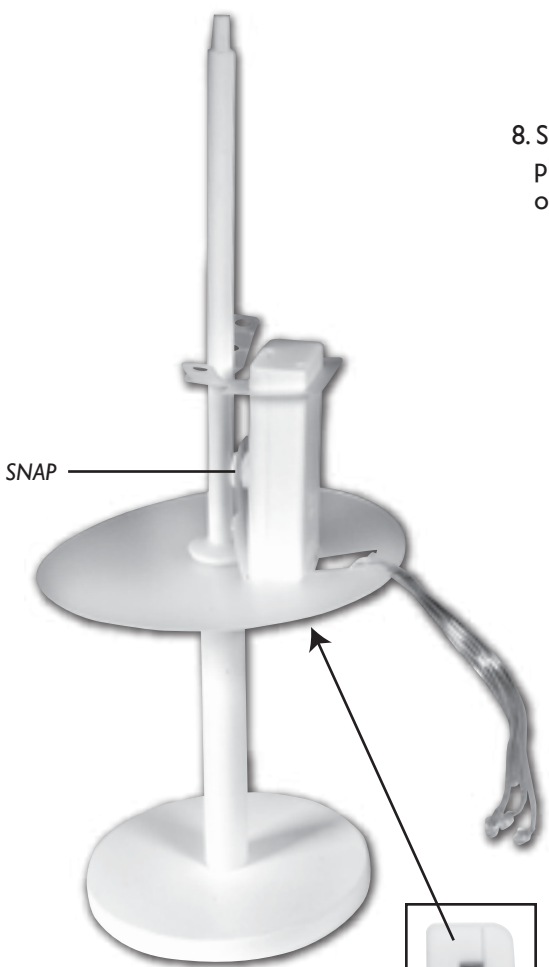
6. Push the double plastic arms onto the dowel rods as shown.

Bring the flap on the base up.

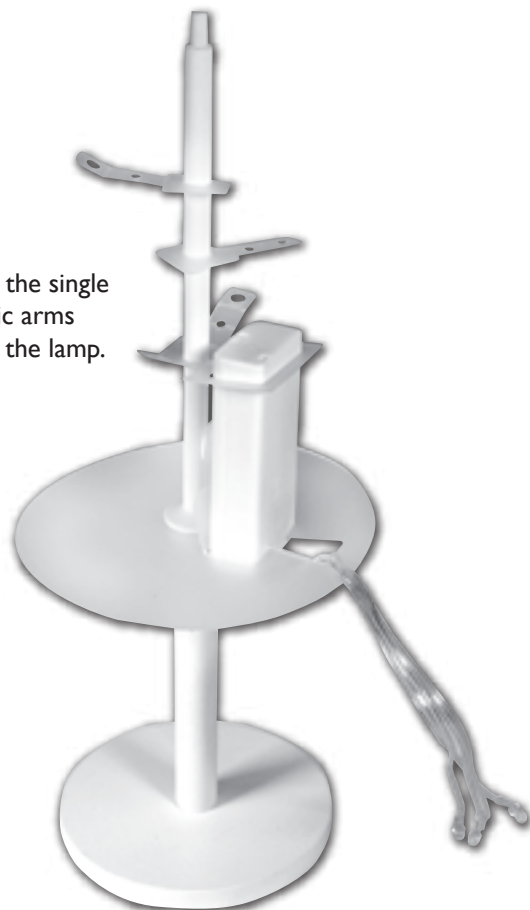


Page 4

7. Push the battery pack up through the double arms and snap it onto the base of the lampshade.



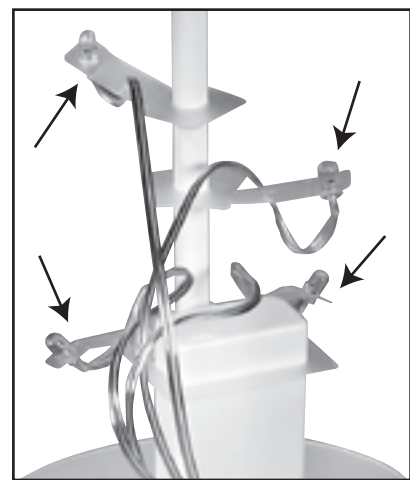
8. Slide the single plastic arms onto the lamp.



Note - The light-switch should be facing down.

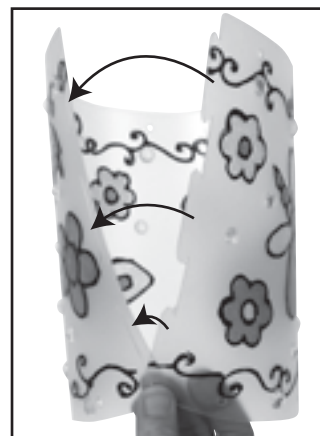


9. Place the LED lights through the holes and the wires into the slots as shown.



Page 5

10. With the painted surface facing out, roll the lamp shade and latch it into place.

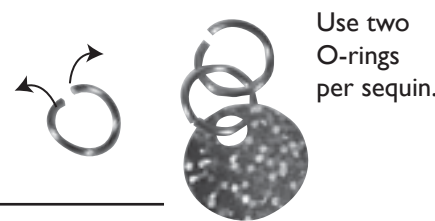


12. Carefully slide it onto the rod. Add the smaller foam piece to the top.



Once the lamp is assembled, adjust as needed until it stands straight.

Use your glittery sequins and O-rings to decorate the bottom of your lamp shade. Gently bend the O-ring and slide it through the hole. Slide on a sequin and then bend the O-ring back in place.



Add more shimmer by decorating your lamp base with extra paint.

Page 6

Once your lamp is complete, it's time to enjoy the show! Set it up in a place where you can admire your glimmering light. Set it on your night stand, turn off the lights, switch it on and watch it glow and change colors.



To enjoy your light for a long time, do not leave it on all the time or the battery will wear out too quickly.

When your light stops working, that just means it is time for new batteries. Carefully remove the lamp shade. Slide the cover off and remove both batteries. Replace them with two new AA batteries.

Remember to discard your old batteries in accordance with local laws.

Page 7

Try this Creativity for Kids® kit too!



Color-Changing Robot Light #1265

Construct, paint and decorate this 3-D robot, flip the switch and watch the light show begin. Kit includes translucent paint and dimensional stickers.



Tell us what you think!
Visit our website and rate this product

www.CreativityforKids.com

Our mission is to provide children with experiences that stimulate and encourage their natural creativity. Our open-ended products offer fun-filled opportunities for children to create, pretend, explore and learn.

Our Quality Promise
Since 1976 Creativity for Kids has been creating safe, innovative products that meet or exceed U.S. safety standards as determined by independent laboratory testing.

Color-Changing Light #1798

© Faber-Castell USA, Inc. • Cleveland, Ohio 44125 • www.fabercastell.com
Designed in USA • Made in China • Conforms to ASTM D-4236 • Non-toxic Safe for Children