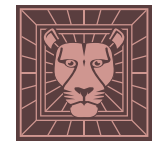


90 1/4"

JAMES MARTIN



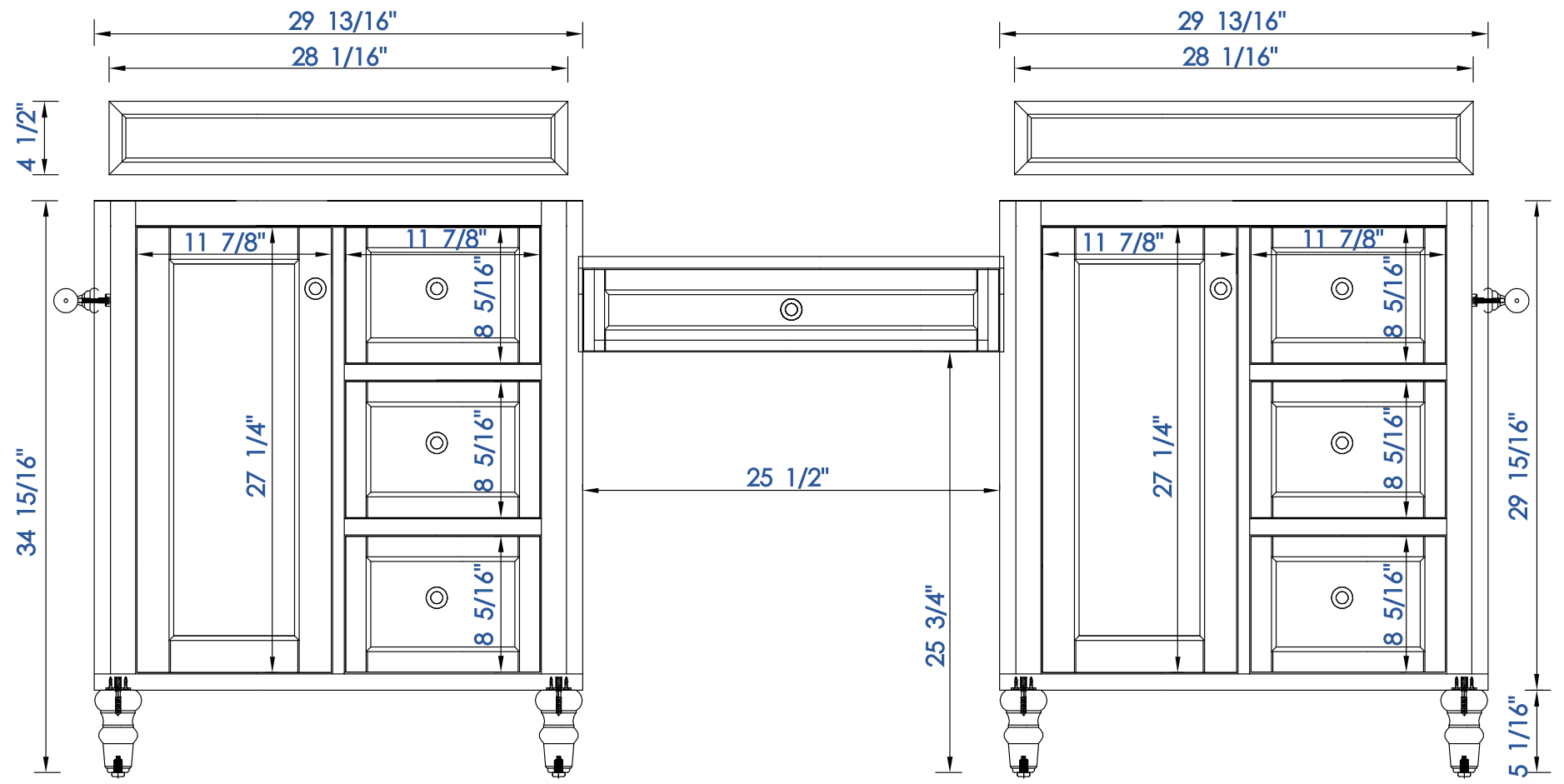
VANITIES™

Item Number:

301-V30-BNM/SL  
301-DU26-BNM/SL

Copper Cove Encore Drawer Unit  
(V30+DU26+V30)

Diagrams with Dimensions  
page 01 of 03



NOTE ONE: Countertops are not shown in these diagrams. (Cabinet Only)

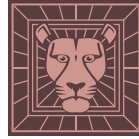
NOTE TWO: Wood Backsplash (Shown) is designed for the molding detail to align with sinks in James Martin's Optional Countertops.

Customer's own countertops and sinks may align differently, and modification may be required.

Please consult our website for Countertop Diagrams: [www.jamesmartinvanities.com](http://www.jamesmartinvanities.com)

90 1/4"

JAMES MARTIN



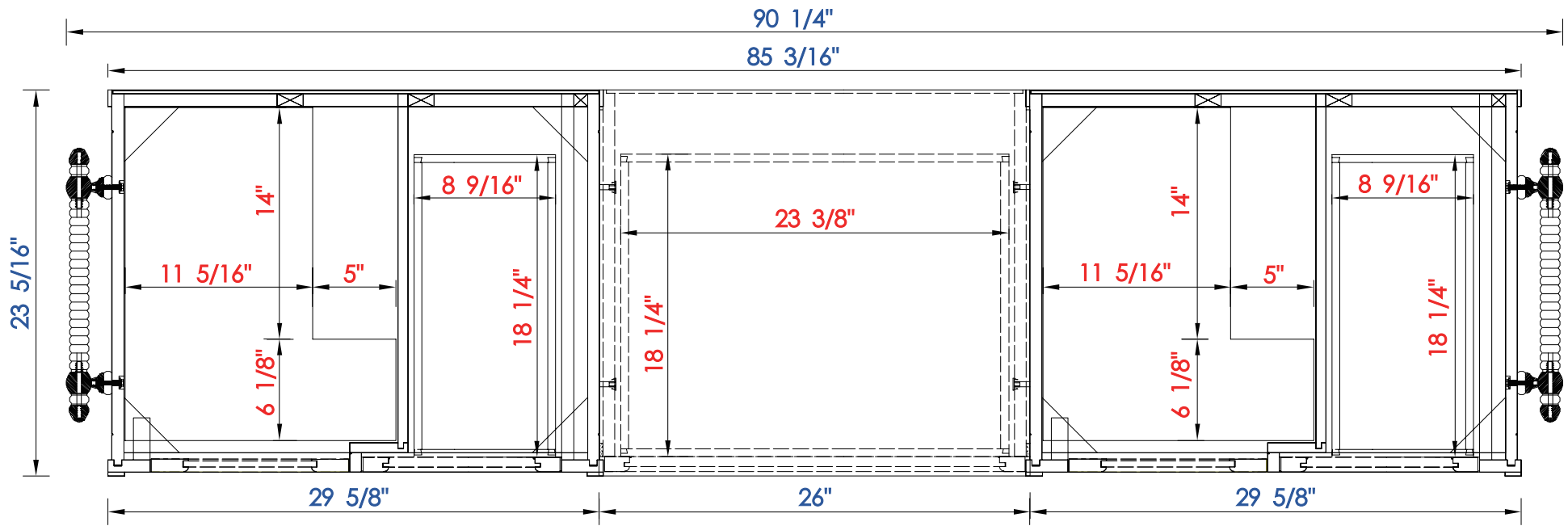
VANITIES™

Item Number:

301-V30-BNM/SL  
301-DU26-BNM/SL

Copper Cove Encore Drawer Unit  
(V30+DU26+V30)

Diagrams with Dimensions  
page 02 of 03



NOTE ONE: Countertops are not shown in these diagrams. (Cabinet Only)

NOTE TWO: Internal Shelves(Shown) are designed to align with sinks in James Martin's Optional Countertops.

Customer's own countertops and sink may align differently, and modification may be required.

Please consult our website for Countertop Diagrams: [www.jamesmartinvanities.com](http://www.jamesmartinvanities.com)



2292 mm

JAMES MARTIN



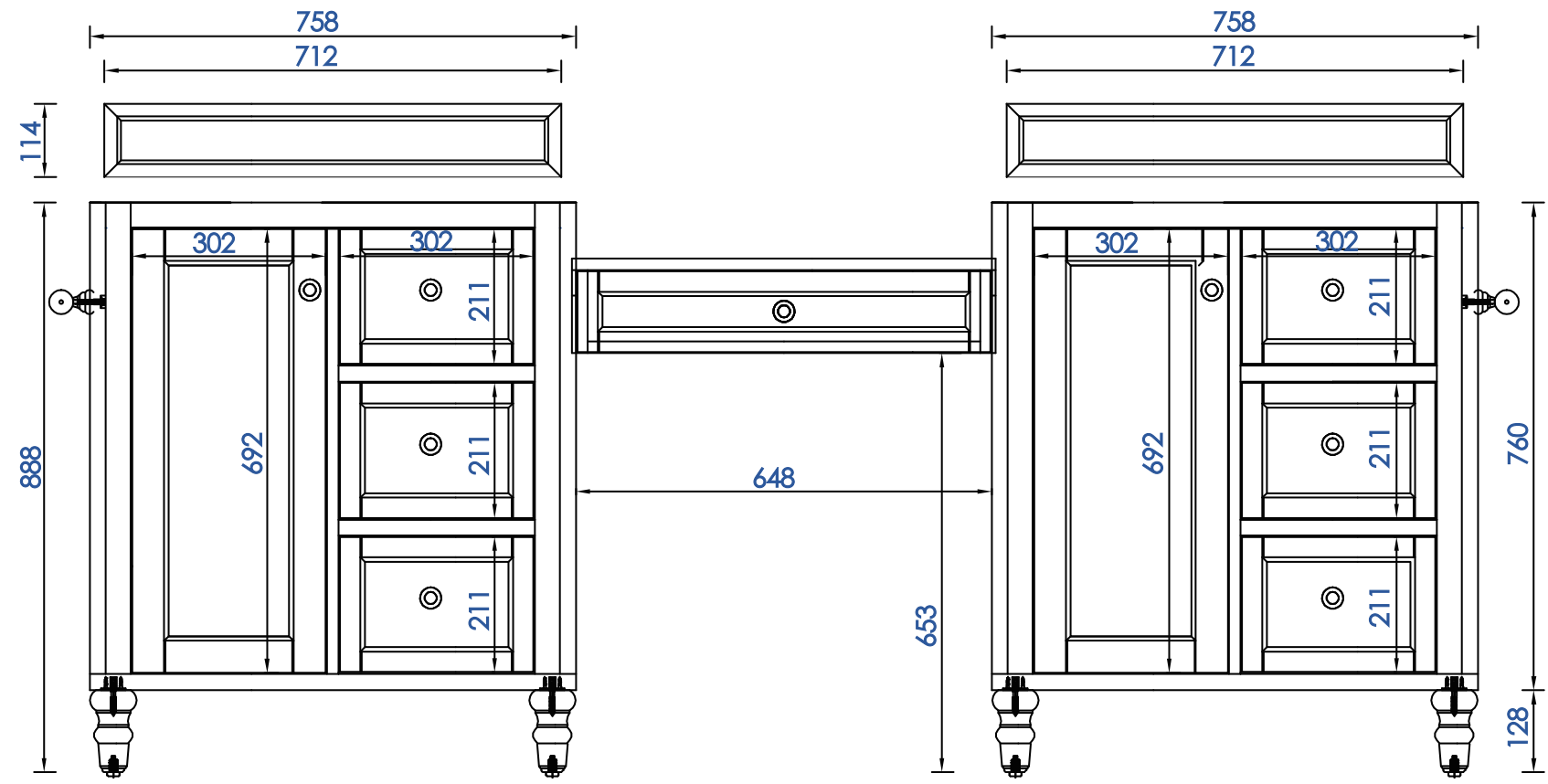
VANITIES™

Copper Cove Encore Drawer Unit  
(V30+DU26+V30)

Diagrams with Dimensions  
page 01 of 03

Item Number:

301-V30-BNM/SL  
301-DU26-BNM/SL

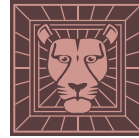


NOTE ONE: Countertops are not shown in these diagrams. (Cabinet Only)

NOTE TWO: Wood Backsplash (Shown) is designed for the molding detail to align with sinks in James Martin's Optional Countertops. Customer's own countertops and sinks may align differently, and modification may be required. Please consult our website for Countertop Diagrams: [www.jamesmartinvanities.com](http://www.jamesmartinvanities.com)

2292 mm

JAMES MARTIN



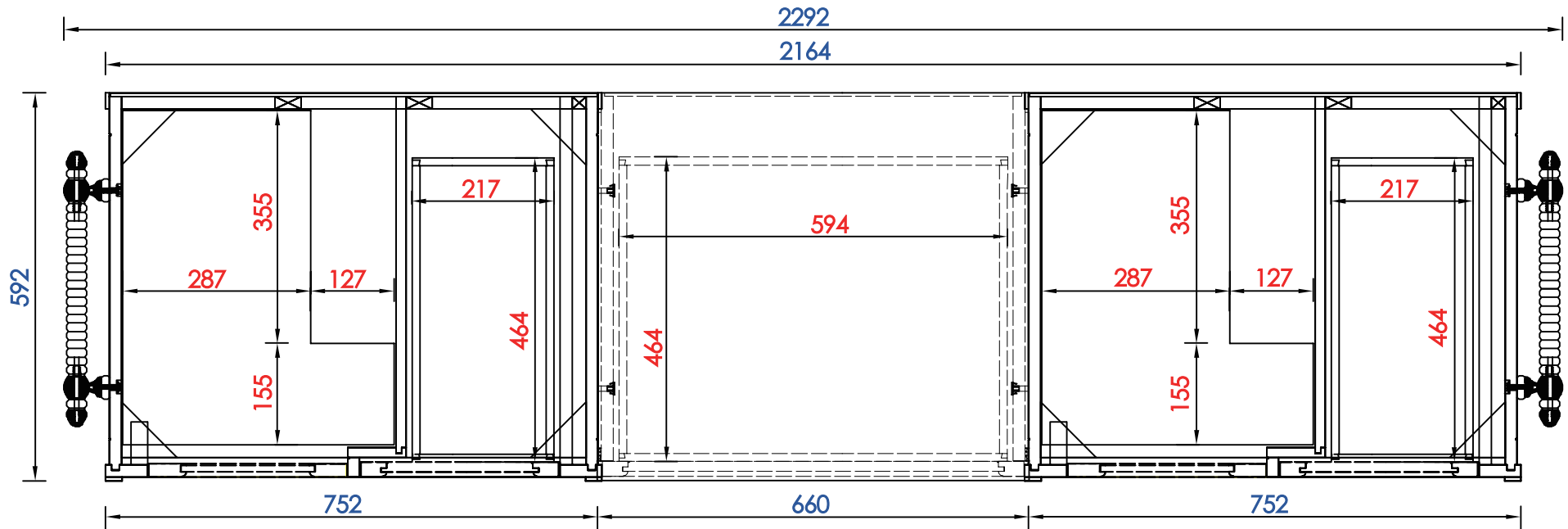
VANITIES™

Item Number:

301-V30-BNM/SL  
301-DU26-BNM/SL

Copper Cove Encore Drawer Unit  
(V30+DU26+V30)

Diagrams with Dimensions  
page 02 of 03



NOTE ONE: Countertops are not shown in these diagrams. (Cabinet Only)

NOTE TWO: Internal Shelves(Shown) are designed to align with sinks in James Martin's Optional Countertops.

Customer's own countertops and sink may align differently, and modification may be required.

Please consult our website for Countertop Diagrams: [www.jamesmartinvanities.com](http://www.jamesmartinvanities.com)

