

0.125GPF High-Efficiency Washout Urinal

FEATURES

- Compact urinal with concealed integral trap
- Washout flush action with 3/4" top or back spud inlet
- Complete with low profile dome strainer
- Optional CeFiONtect™ ceramic glaze - CeFiONtect glaze prevents debris and mold from sticking to ceramic surfaces, leading to fewer chemicals.

MODELS

- UT105U
Urinal with 3/4" top spud inlet
- UT105UG
Urinal with 3/4" top spud inlet and CeFiONtect
- UT105UV
Urinal with 3/4" back spud inlet
- UT105UVG
Urinal with 3/4" back spud inlet and CeFiONtect

FLUSH VALVES	
EcoPower®	
TEU1UA12#CP	0.125GPF
TEU2UA11#SS	0.125GPF
TEU3UA11#SS	0.125GPF

COLORS/FINISHES

- #01 Cotton (CeFiONtect optional)

PRODUCT SPECIFICATION

The wall-mounted, ADA compliant, high-efficiency washout urinal shall be 0.125GPF/0.47LPF when paired with a 0.125GPF flushometer valve. Urinal shall have optional CeFiONtect ceramic glaze. Urinal specified shall be model UT105U____.



 **CeFiONtect**

 **Dual-Max**

CODES/STANDARDS

- Meets and exceeds ASME A112.19.2/CSA B45.1,
- Certifications: IAPMO(cUPC), State of Massachusetts, City of Los Angeles
- Code compliance: UPC, IPC, NSPC, NPC Canada, and others
- Legislative Compliance: California AB715, CALGreen Title 24, California Energy Commission Standards
- ADA compliant



UT105U(V)(G)

0.125GPF High-Efficiency Washout Urinal

SPECIFICATIONS

• Water Use	0.125GPF/0.47LPF
• Flush System	Washout flush action
• Warranty	One Year Limited Warranty
• Material	Vitreous china
• Min. Water Pressure	15 psi (flowing)
• Height (Urinal Only)	21-3/4"
• Width	12-1/4"
• Rim	14"
• Shipping Weight	UT105U(V)(G) - 37.5lbs
• Shipping Dimensions	UT105U(V)(G) 24" L x 13-3/4" W x 17" H

INSTALLATION NOTES

Install this product according to the installation guide.

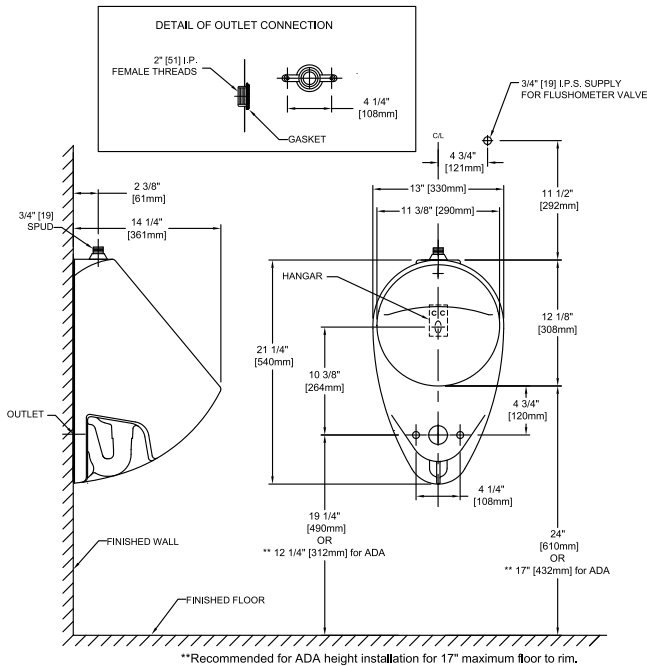
Refer to manufacturer's instructions and local codes for flushometer requirements.

Will comply with ADA when installed per Section 605 - Urinals of the ADA 2010 Accessible Design Standard with maximum rim height of 17" and minimum depth of 13-1/2".

Will comply with CSA B651 when installed per Clause 6.2.8 Urinals of the CSA 2012 Accessible Design Standard with maximum rim height of 17" and minimum depth of 13-1/2".

Ultra-low high efficiency urinals require a system with a minimum 2% slope. Maximum drainage capacity rated at 6.6 gal/min (25 L/min). Adjust angle stop accordingly to prevent overflow. Confirm with local codes and standards for floor drain requirement.

Top Spud Installation



Back Spud Installation

