

# Kräus<sup>®</sup>

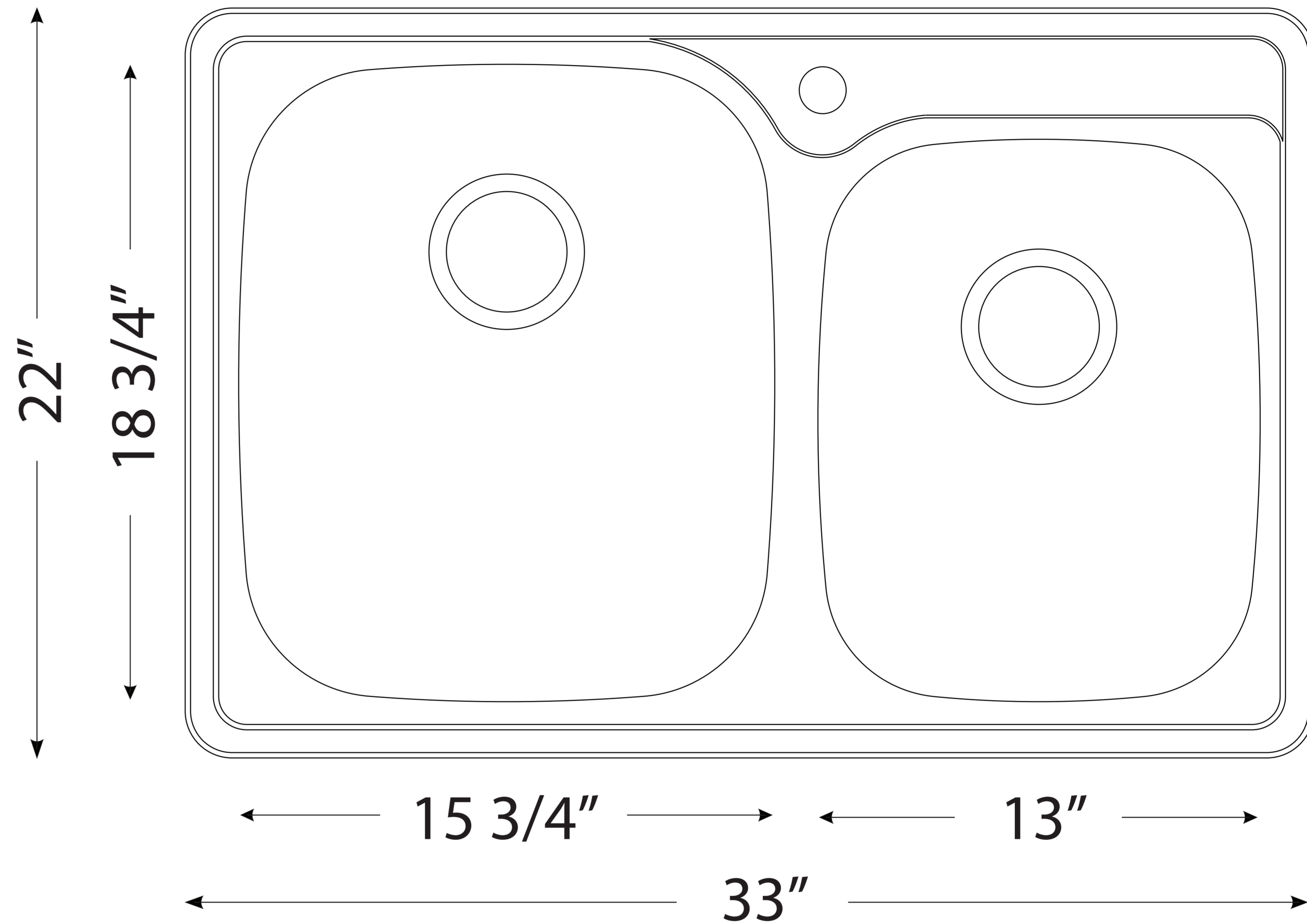
[www.kraususa.com](http://www.kraususa.com)

**Model No. KTM32**

**Topmount Template**

Pro Hotline: 516.801.8955

Customer Service: 800.775.0703



**NOTE:** Cutout template is provided as a guide **ONLY** and must be checked against actual sink to verify correct fit.