

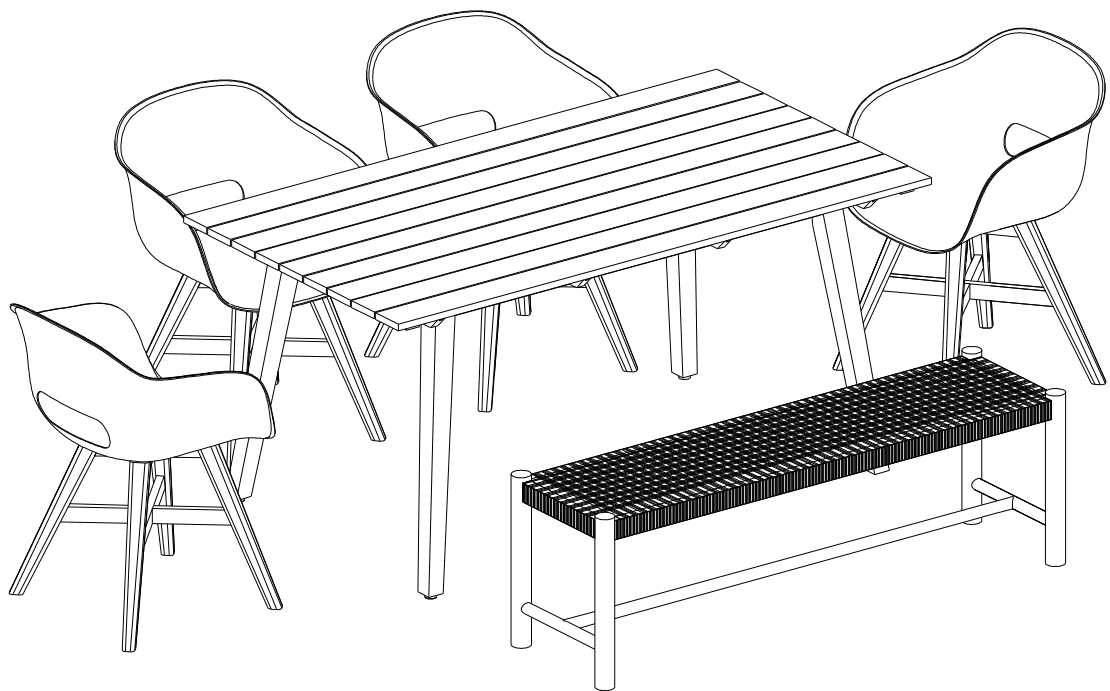
# SIMPLIHOME®

## Kona / Nina / Zora

---

### 6 Piece Outdoor Dining Set

MODEL # AXCPTDS6-KON-TP



brooklyn + max™

WyndenHall™  
HOME DECOR

# SIMPLIHOME®

## Great quality is a right.

Thank you for shopping with Simpli Home,  
America's top brand for high-value furniture.



## It's time to register your product warranty.

It's quick and easy. And you'll be happy you did.



- ✓ Activate your 1-year warranty.
- ✓ Automatic entry to win a \$500 gift certificate.
- ✓ Earn instant rewards and save.

[simpli-home.com/product-registration](https://simpli-home.com/product-registration)

# SIMPLIHOME®

## Review your product and collect rewards!

Thank you for your purchase! We hope you enjoy it. We'd love your feedback. Please share a review and get instant rewards!



[simpli-home.com/product-review](https://simpli-home.com/product-review)



## Share photos and get your cash back!



Send us images or share them on social and qualify for instant rewards. You may even receive store credit on your entire purchase!



[simpli-home.com/share-images](https://simpli-home.com/share-images)

# SIMPLIHOME®

## For fastest customer service:



1. Open your phone's camera.
2. Point your phone's camera at the QR code to scan.
3. Click on the pop up.
4. You'll be taken to our customer service page.
5. Fill the form with your order information and issue.
6. Submit form.
7. A customer service associate will contact you.

## Other ways to contact us...



### Email Us

[customerservice@simpli-home.com](mailto:customerservice@simpli-home.com)



### Visit Us

Visit our site directly at  
[www.simpli-home.com](http://www.simpli-home.com)



### Call Us

1-866-518-0120  
Monday to Friday  
9am to 5pm EST

**\*If you've purchased from a retailer and you wish to return the product, please contact the retailer directly.**

**IMPORTANT:** Please read this manual carefully before beginning assembly of this product. Keep this manual for future reference.

## **Safety Information**

Identify all the parts and hardware. Do not discard of the packaging until you have checked that you have all the parts and hardware required. Hardware package may have spare parts.

**WARNING:** This item contains small parts which can be swallowed by children and pets. Keep children and pets away during assembly. To avoid danger of suffocation, always keep plastic bags away from children and pets.

We recommend that you assemble this unit on a carpeted floor to avoid scratches. If using power tools, set the tool to low torque to avoid damage.

**May require 2 people for ease of assembly.**

## Care & Maintenance

**This furniture is designed for outdoor use.**

### **Coffee Table / Dining Table**

Wash frame parts with mild soap and water, rinse thoroughly and dry frame completely.

Do not use bleach, acid or other solvents on the frame parts.

Use placemats or coasters to prevent leaving marks from hot plates or cold glasses.

Inspect and tighten all bolts and fasteners on a regular basis to ensure proper performance.

### **Conversation Chair / Sofa / Dining Chair/ Dining Bench**

Wash frame parts with mild soap and water, rinse thoroughly and dry frame completely.

Do not use bleach, acid or other solvents on the fabric or frame parts.

Cushions and pillows may be washed on the surface by using mild soap and water if necessary. Rinse well and hang to dry. Do not machine wash or dry.

Inspect and tighten all bolts and fasteners on a regular basis to ensure proper performance and safety.

### **To help protect your furniture, follow these steps:**

- Wipe down the surface with a damp, soft cloth
- Wipe up spills promptly
- Clean with a dry cloth
- Do not use abrasive cleaners, chemical solvents, strong detergents, cleaners with bleach and furniture polish
- We recommend the use of furniture covers when not in use
- To prolong the life and beauty of your furniture, store it in a dry and protected area during off season periods

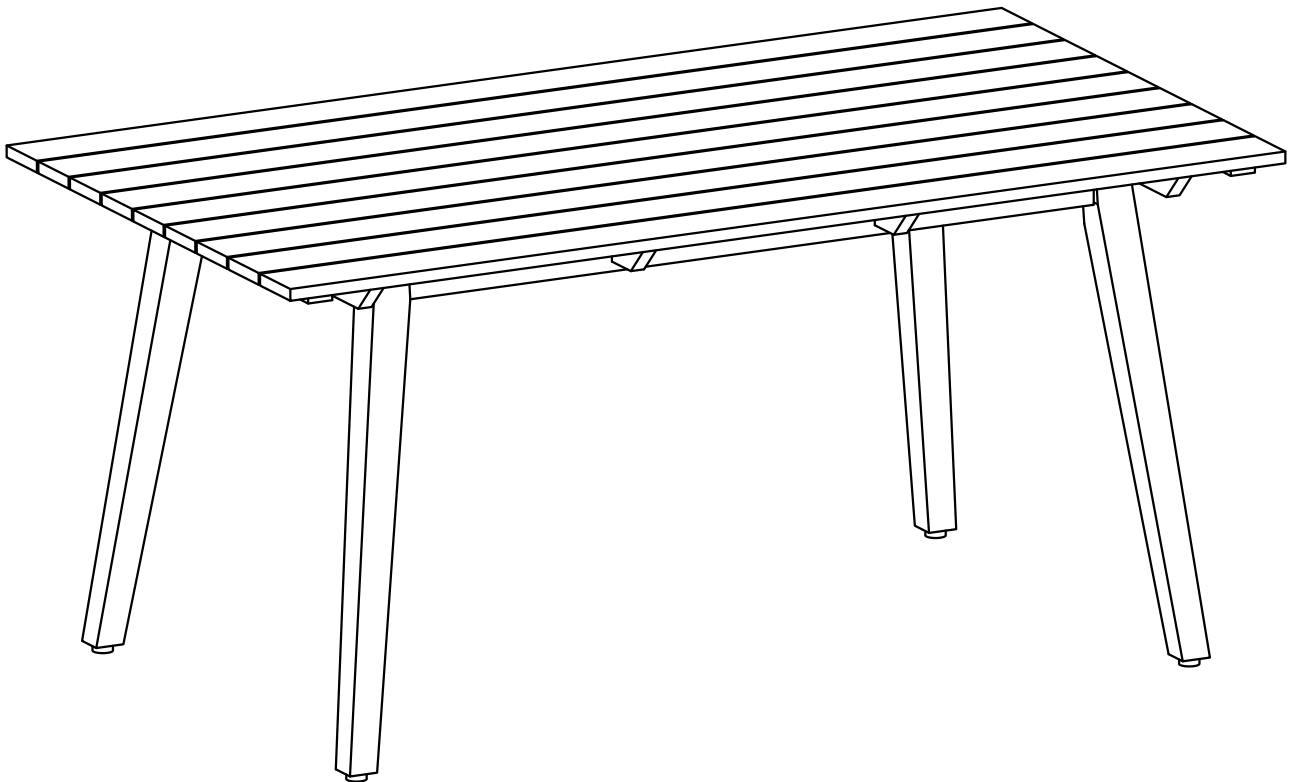
# SIMPLIHOME®

## Kona / Nina / Zora

---

Outdoor Dining Table

Model # AXCPTDT-KON



**Part Description**

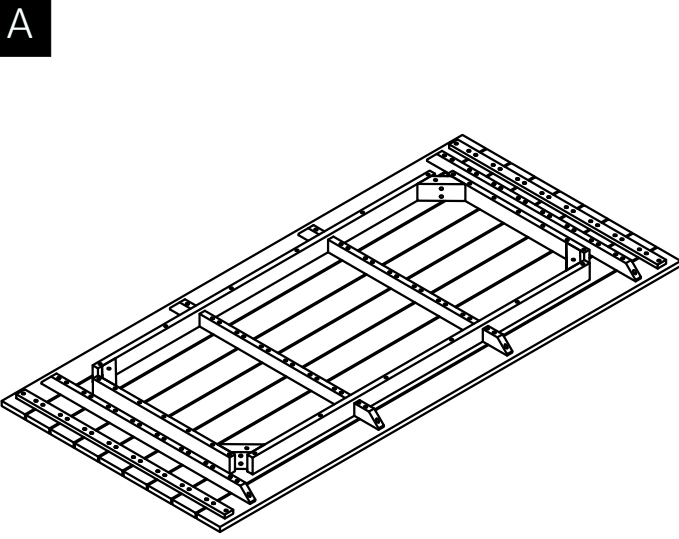
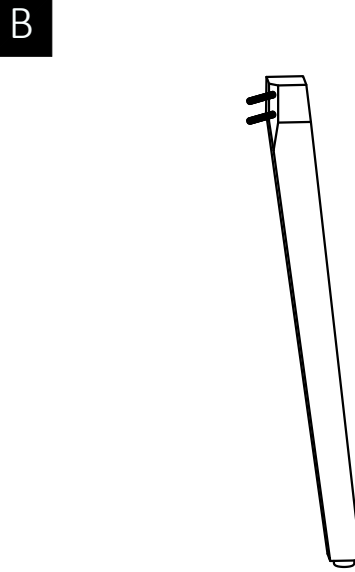
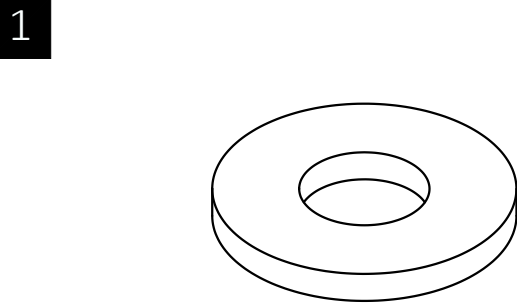


TABLE TOP  
QTY 1

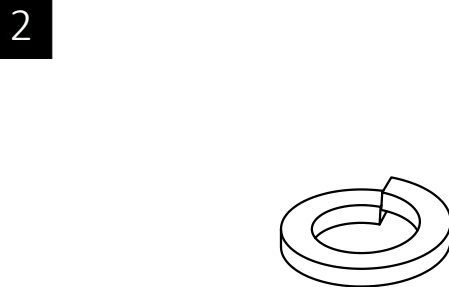


LEG  
QTY 4

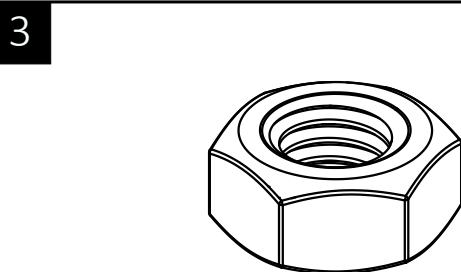
**Hardware Description**



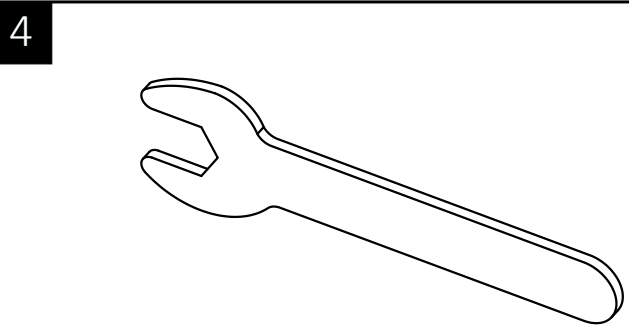
WASHER  
Ø19 / Ø8 X 1 mm  
QTY 8



LOCK WASHER  
Ø13 / Ø8 X 1 mm  
QTY 8

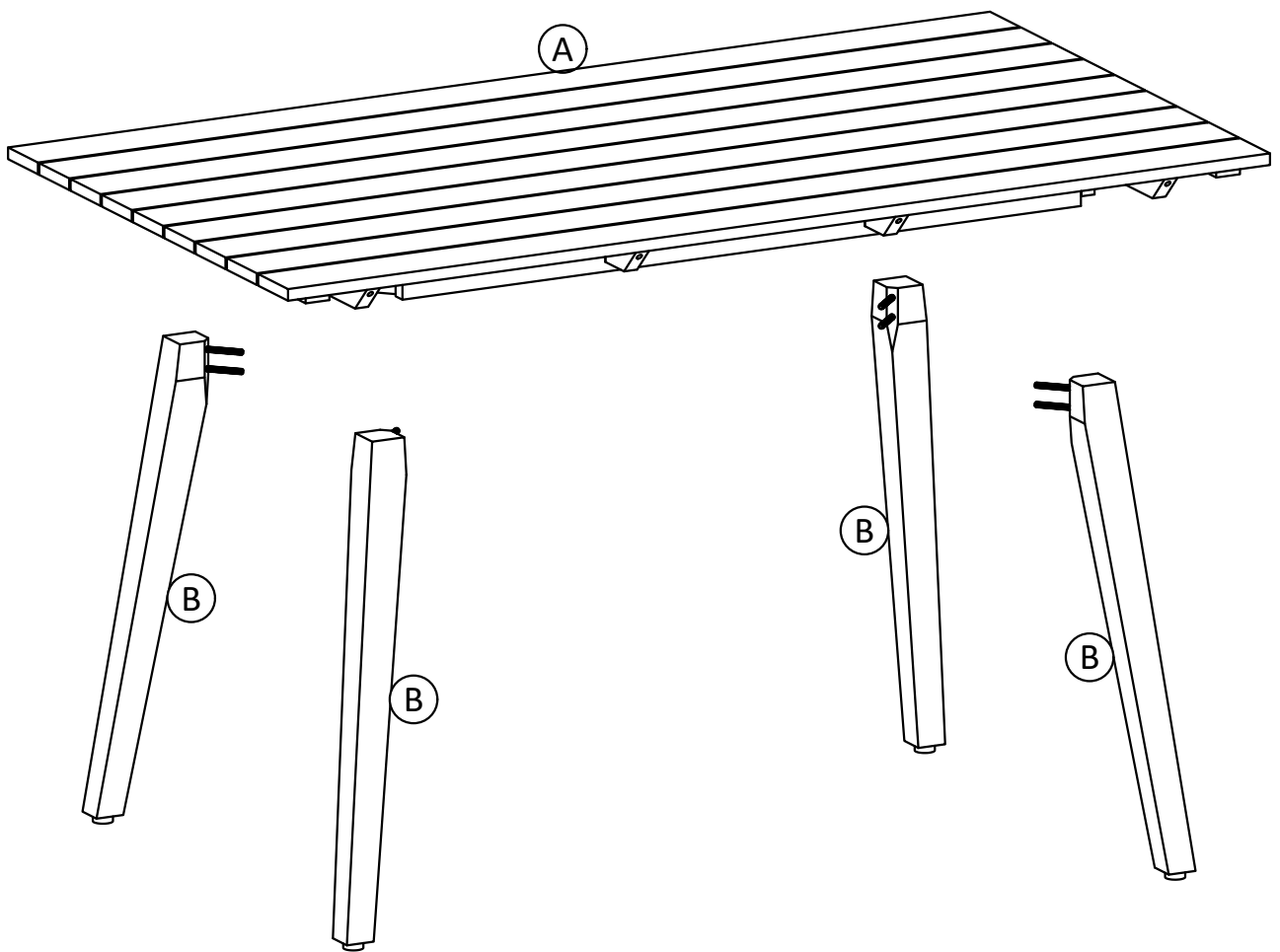


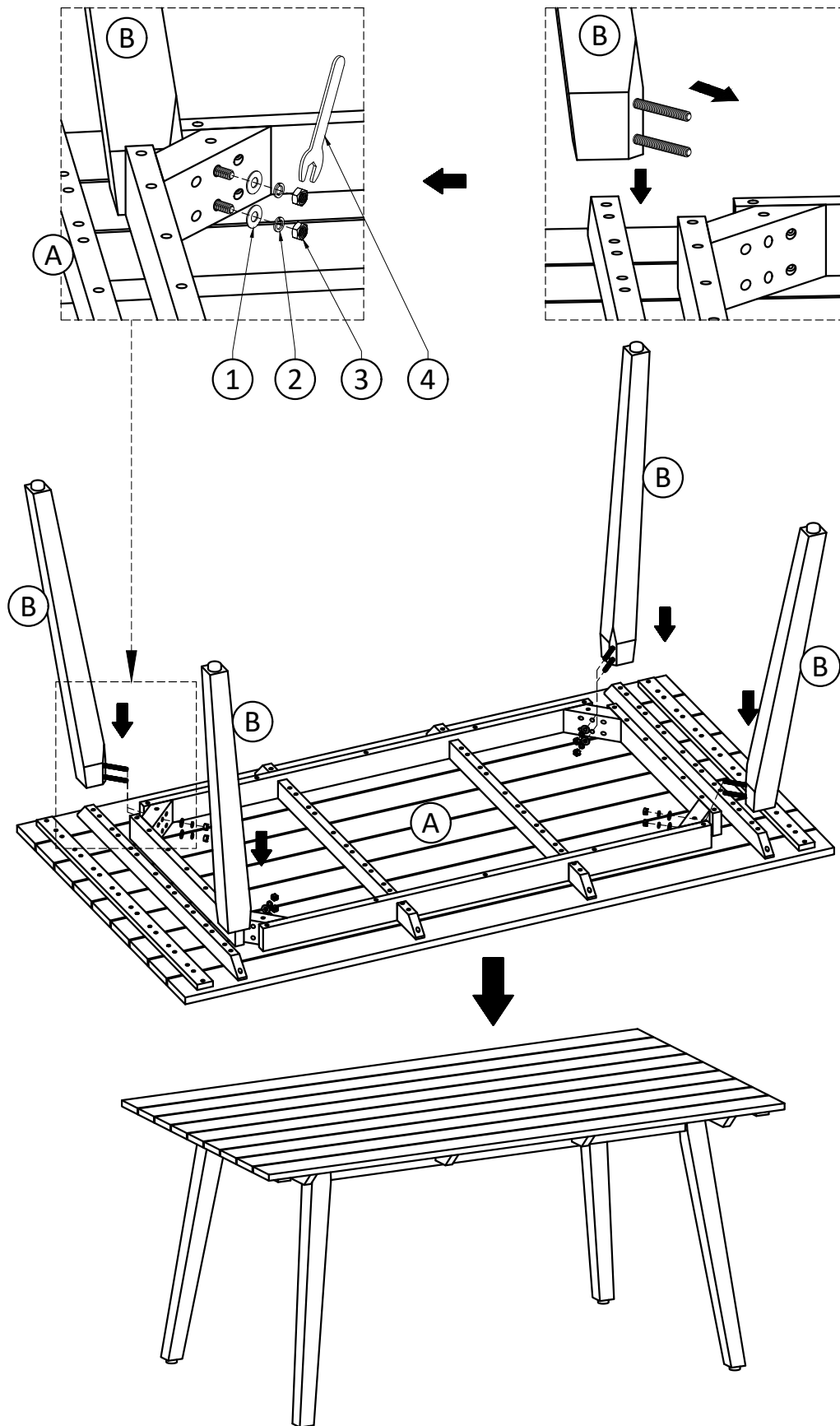
NUT  
M8  
QTY 8



WRENCH  
WR13  
QTY 1





**Step 1**

1. Attach Legs (B) to Table Top (A) using Washers (1), Lock Washers (2) and Nuts (3) through guide holes.
2. Use Wrench (4) to tighten Nuts. Do not over-tighten.

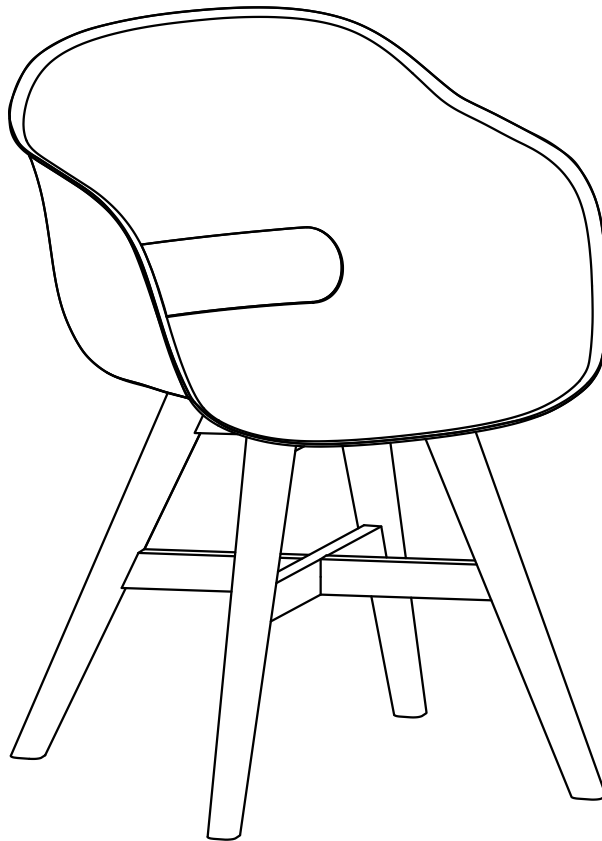
# SIMPLIHOME®

## Kona / Nina / Zora

---

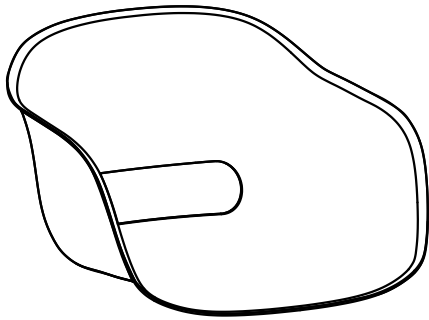
Outdoor Dining Chair (Set of 2)

Model # AXCPTDCH-KON-TP



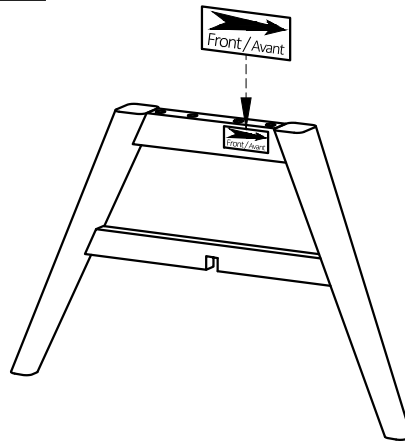
**Part Description**

**A**



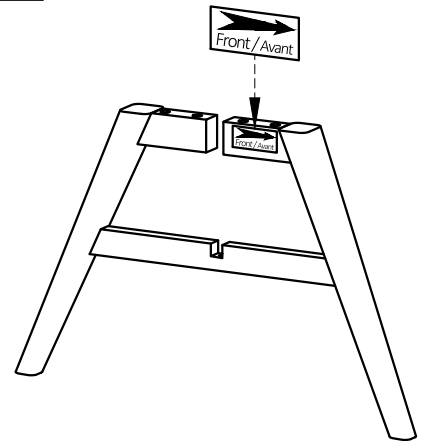
CHAIR SEAT  
QTY 2

**B**



LEG  
QTY 2

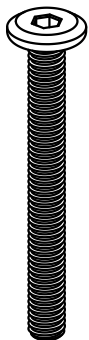
**C**



LEG  
QTY 2

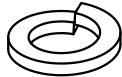
**Hardware Description**

**1**



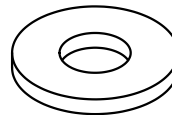
ALLEN KEY BOLT  
M6 X 50 mm  
QTY 16

**2**



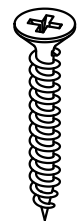
LOCK WASHER  
Ø10 / Ø6 X 2 mm  
QTY 16

**3**



WASHER  
Ø16 / Ø6 X 2 mm  
QTY 16

**4**



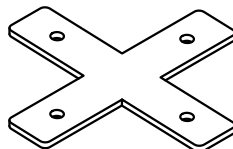
PHILLIPS SCREW  
M4 X 30 mm  
QTY 2

**5**



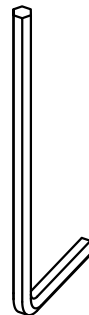
PHILLIPS SCREW  
M4 X 15 mm  
QTY 8

**6**

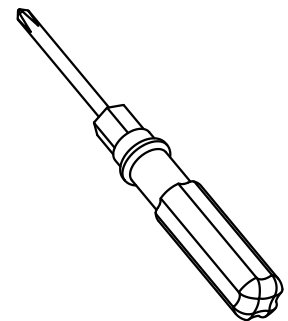


BRACKET  
QTY 2

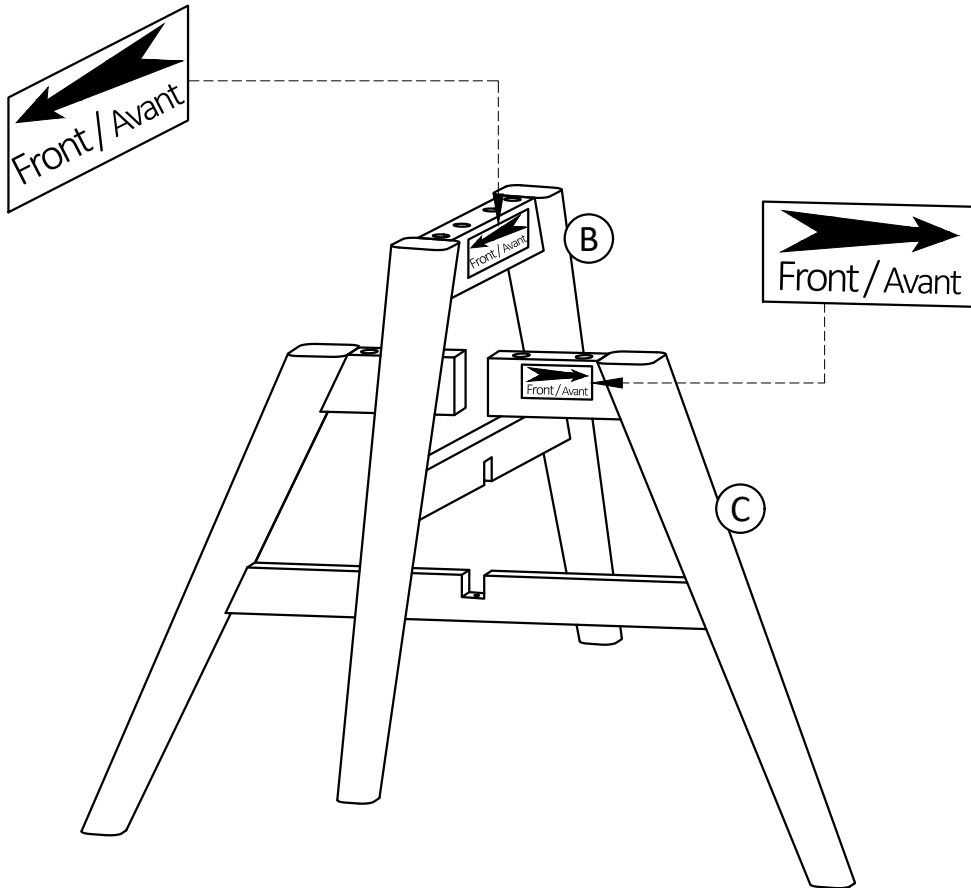
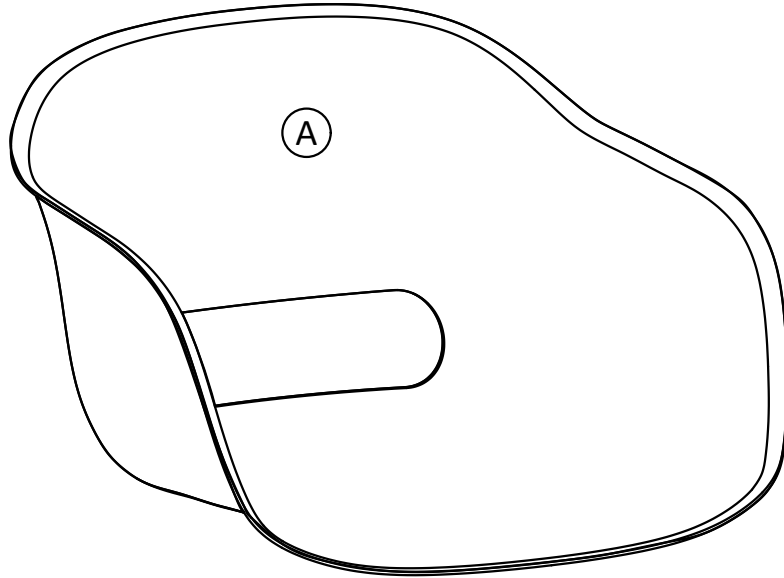
**7**



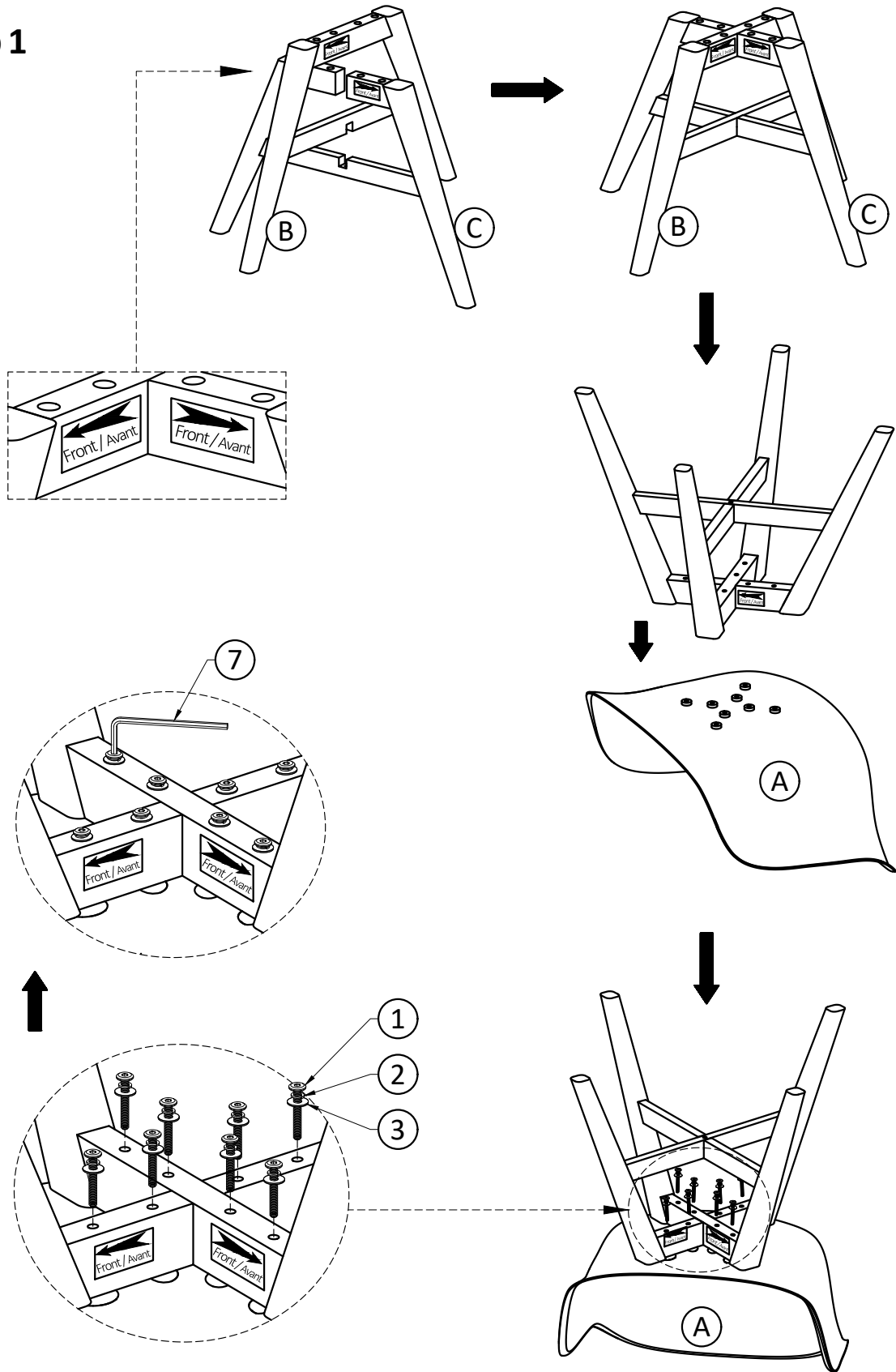
ALLEN KEY  
QTY 2



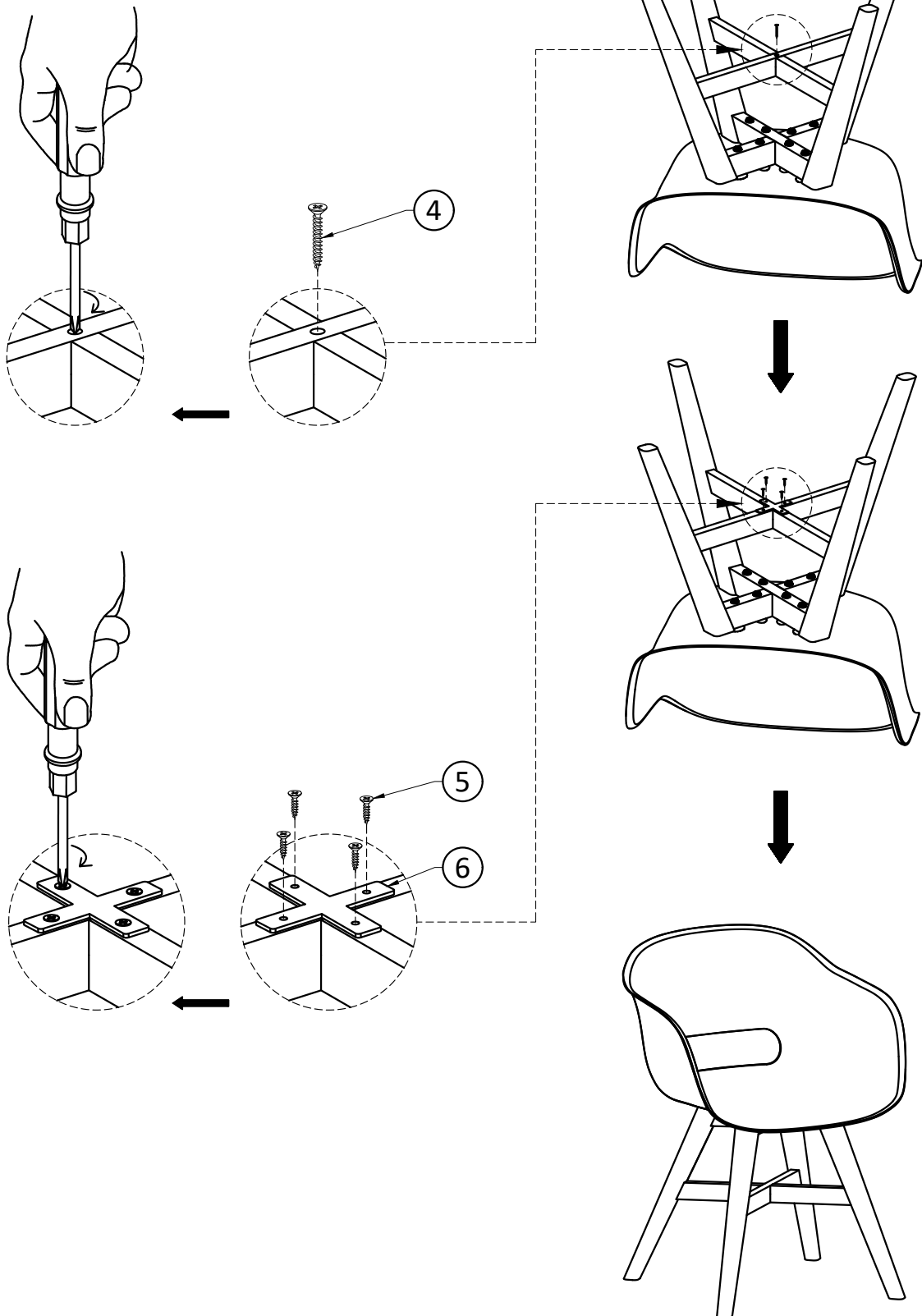
Required -  
Phillips screwdriver  
**Not Included**



## Step 1



1. Attach Legs (B), (C) to Chair Seat (A) using Bolts (1), Lock Washers (2) and Washers (3) through guide holes.
2. Use Allen Key (7) to tighten Bolts. Do not over-tighten.

**Step 2**

1. Use Phillips Screw (4) to attach the support bars of the Legs.
2. Attach Bracket (6) to the support bars of the legs using Phillips Screws (5).
3. Use Phillips Screwdriver to tighten screws. Do not over-tighten.

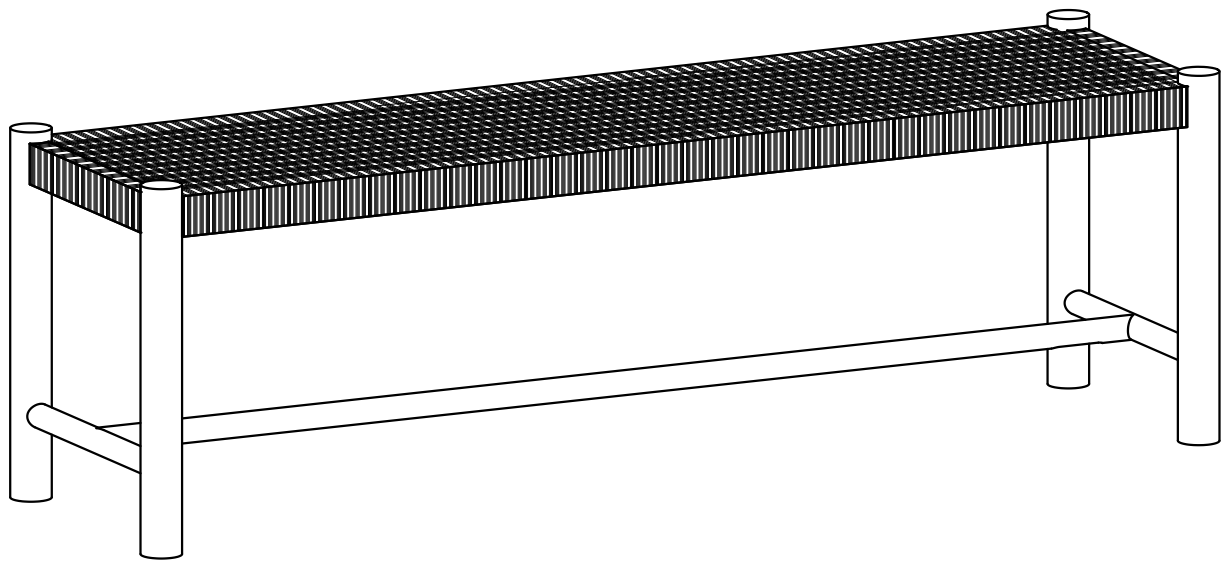
# SIMPLIHOME®

## Dahlia / Soraya / Havanah

---

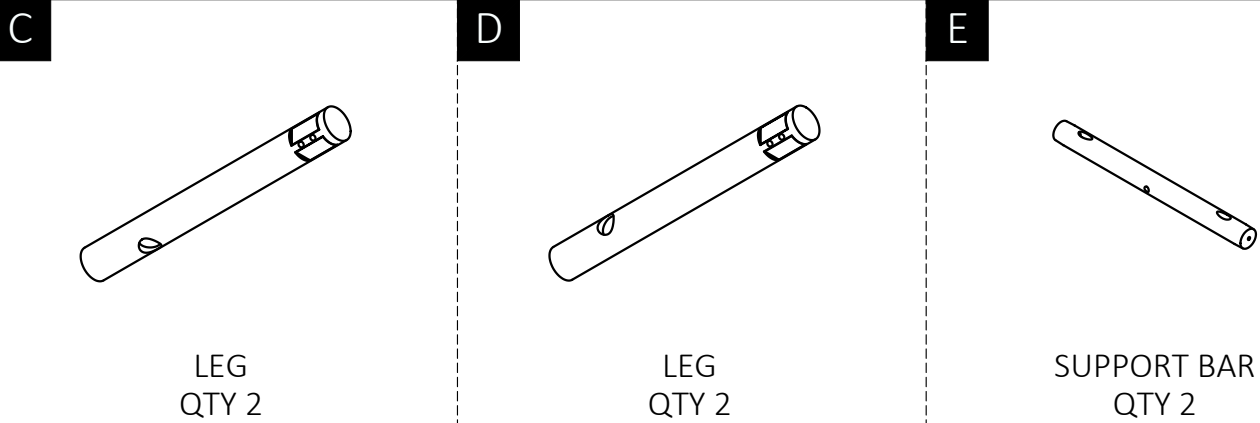
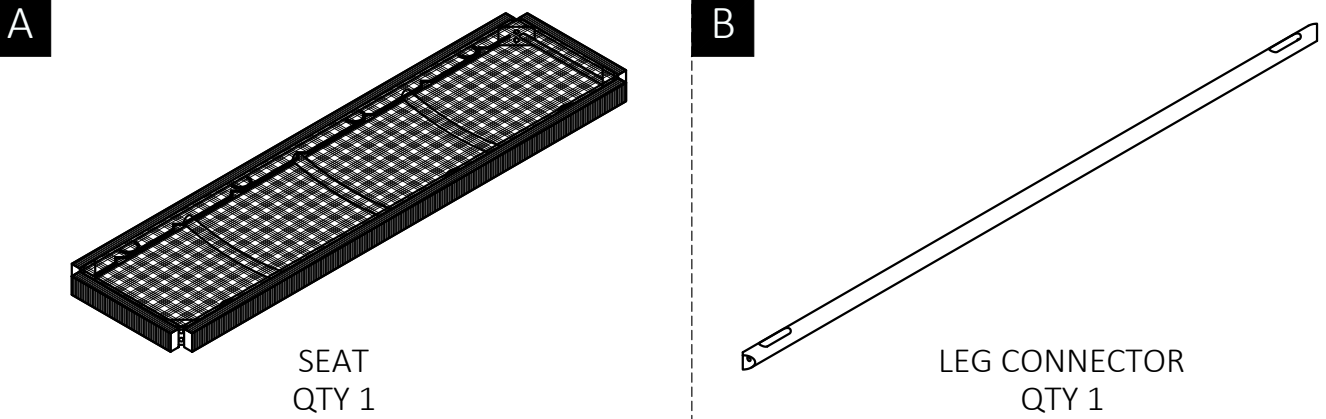
Outdoor Dining Bench

Model # AXCPTBEN-DAH-NT

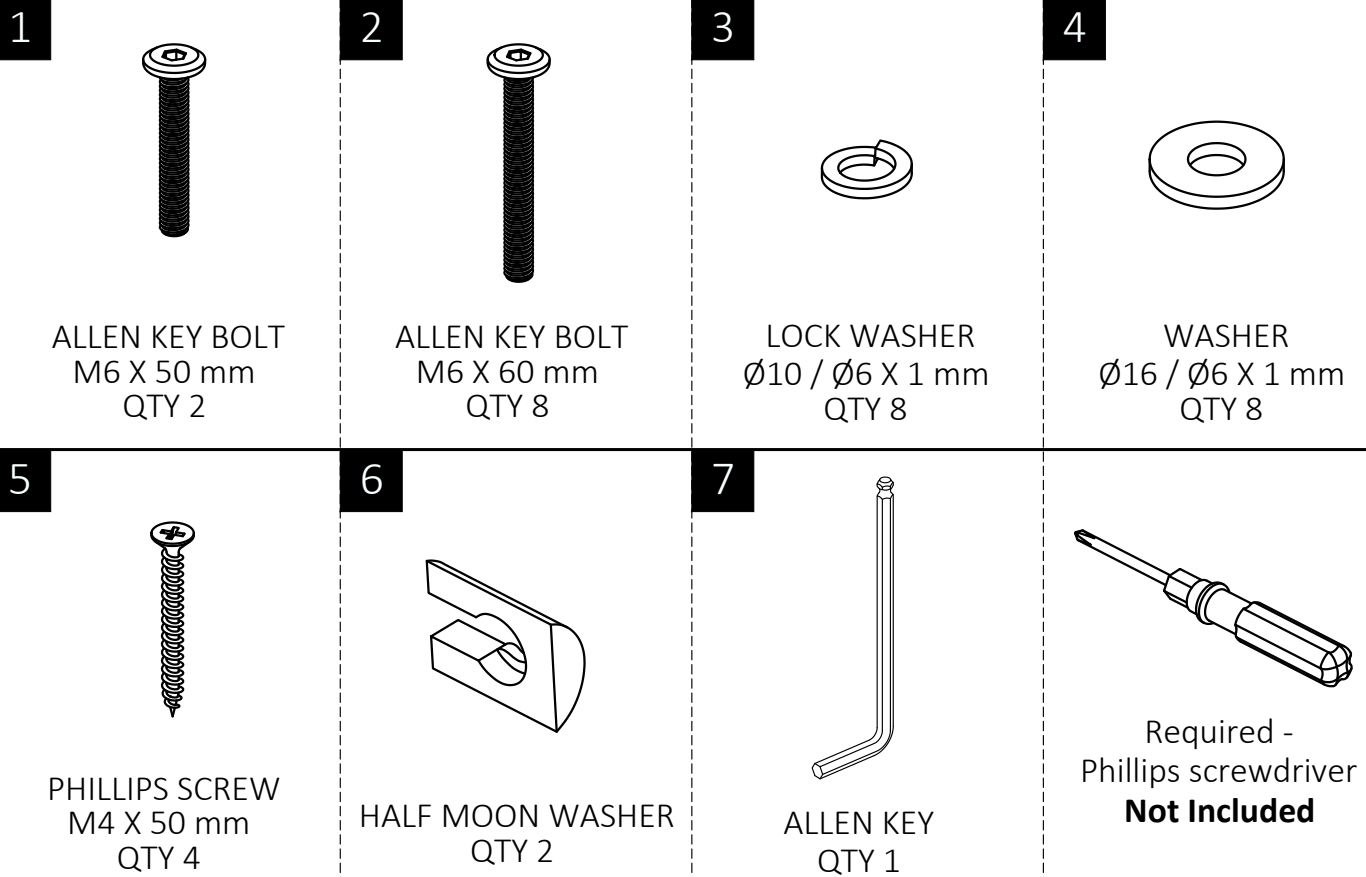


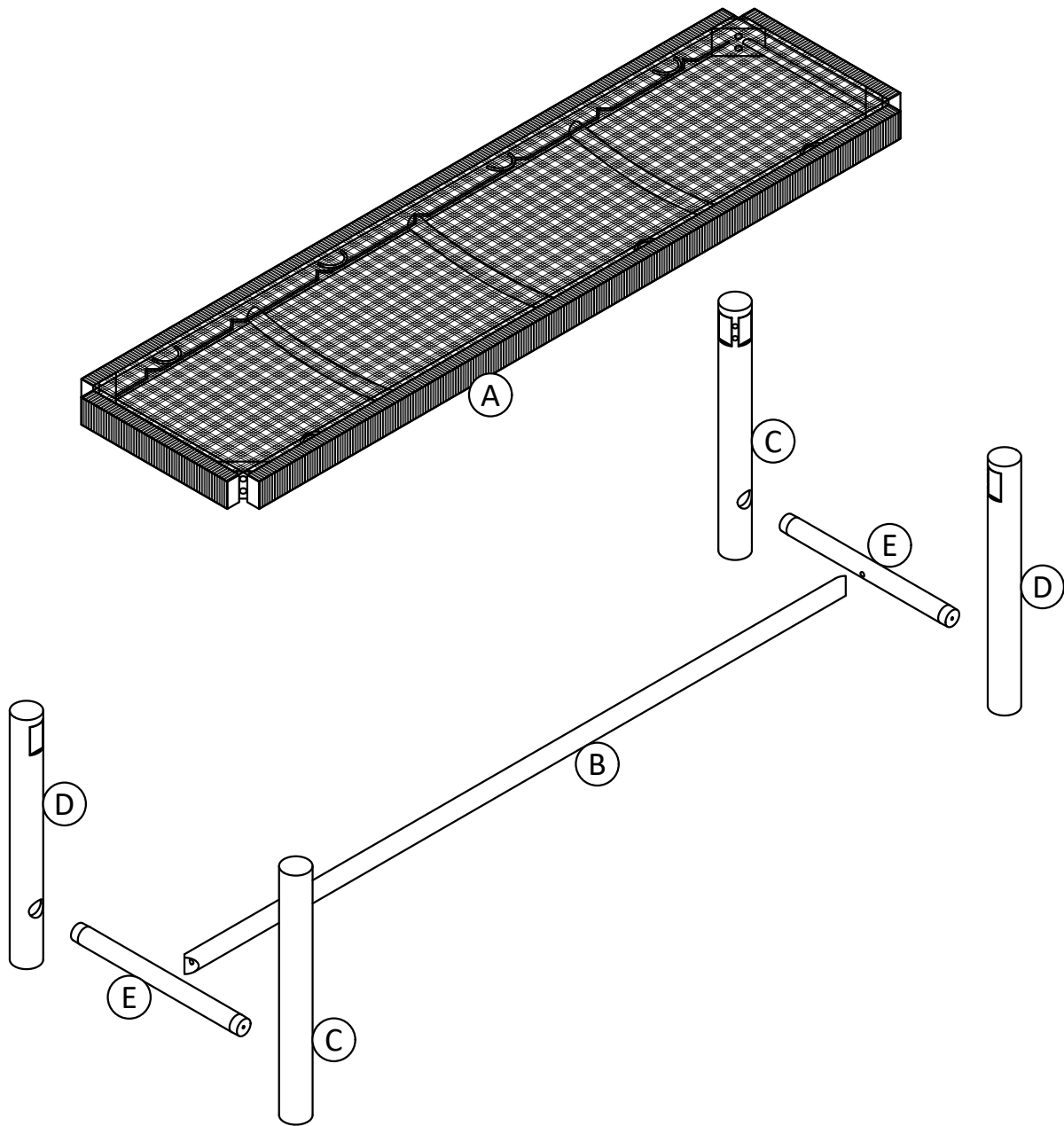


**Part Description**

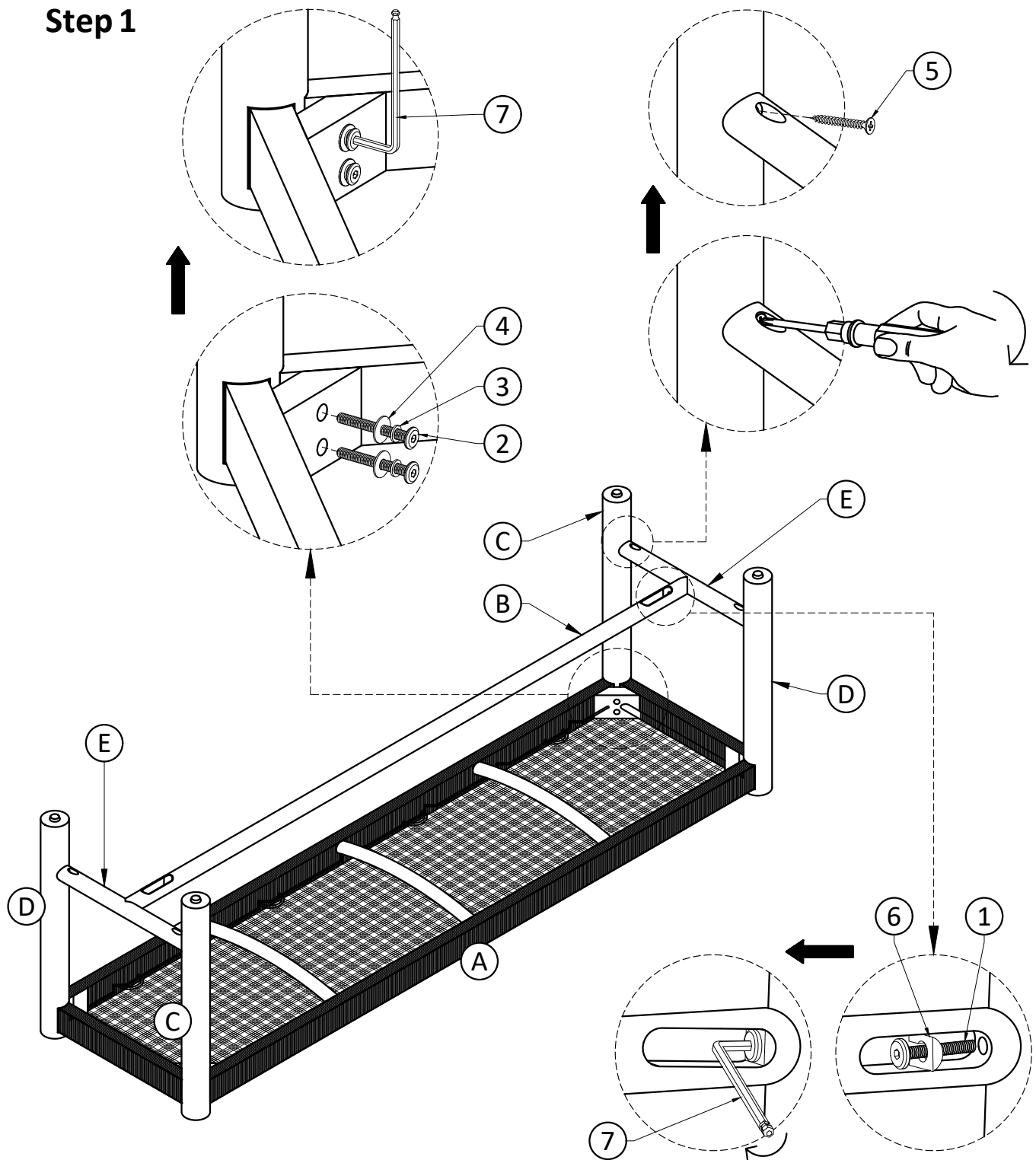


**Hardware Description**





## Step 1



1. Attach Legs (C), (D) to Seat (A) using Bolts (2), Lock Washers (3) and Washers (4) through guide holes. **Tighten 80% bolts.**
2. Use Bolts (1) and Washers (6) to attach Leg Connector (B) to Support Bars (E). Then use Phillips Screws (5) to attach Support Bars (E) to Legs (C), (D).
3. Use Allen Key (7) to tighten Bolts. Do not over-tighten.
4. Use Phillips Screwdriver to tighten screws. Do not over-tighten.