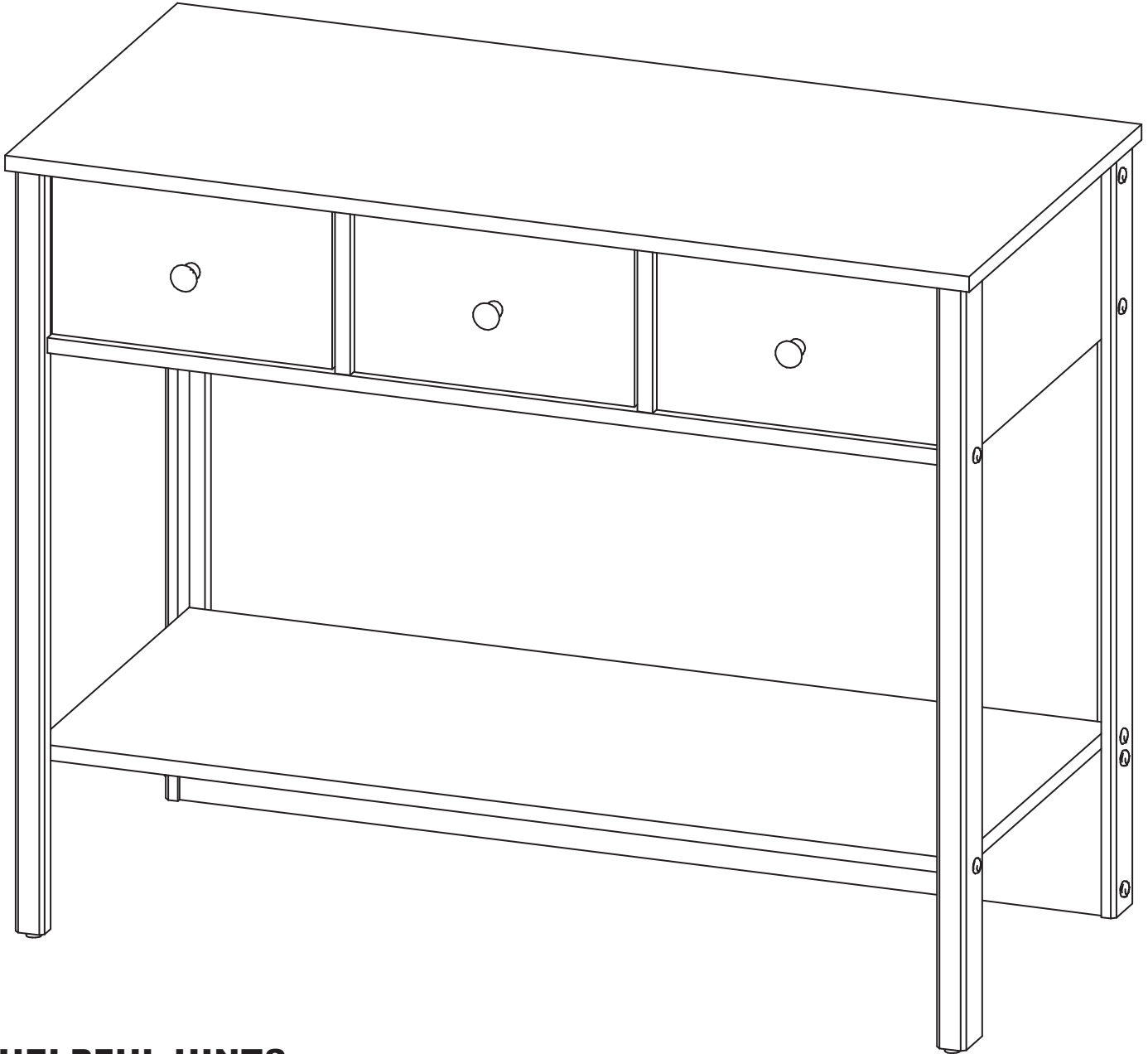


ENTRYWAY TABLE WITH DRAWERS DTA-287

Carefully review assembly and care instructions before using this product. Save this document for future reference.
Assemble components on a soft, clean surface to avoid scratching or damaging the finish.



HELPFUL HINTS

Sunnydaze Decor advises reviewing this manual fully, and assembling the unit soon after purchase. Check that all parts are accounted for and familiarize yourself with the assembly before beginning.

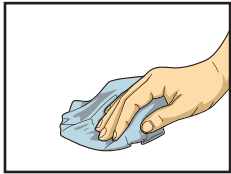
SAVE THIS MANUAL FOR FUTURE REFERENCE.

INTRODUCTION

Read the manual carefully to ensure you fully understand all use, care, assembly, and safety information.



Read this manual carefully and follow the assembly instructions in the order listed. Pay close attention to assembly drawings.



Regularly clean with a clean microfiber cloth to prevent dust accumulation.



Do not paint the unit. Do not use abrasive materials or cleaners to clean the furniture; only use a slightly moistened cloth.



Indoor use only. Do not expose the furniture to heat or humidity.



When cleaning nearby the furniture, do not allow contact with water or cleaners as it may deteriorate the furniture.

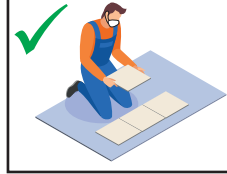


Do not allow metal components to come in contact with water or cleaners as it may cause rust and staining.



Assemble on a soft, flat, clean, and dry surface.

Use a soft, protective barrier when assembling the furniture.



TIP: Use the box carton as a protective layer to separate and protect the parts from scratches and other damage during assembly.



Do not push or drag furniture as doing so may damage the unit. Only move furniture when it is empty.

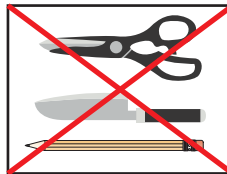


Always ask for help when moving furniture.



Avoid Accidents - Do not climb, sit or stand on the furniture.

Do not allow children to play on or inside the furniture.



Keep sharp objects away as they may scratch or damage the unit.

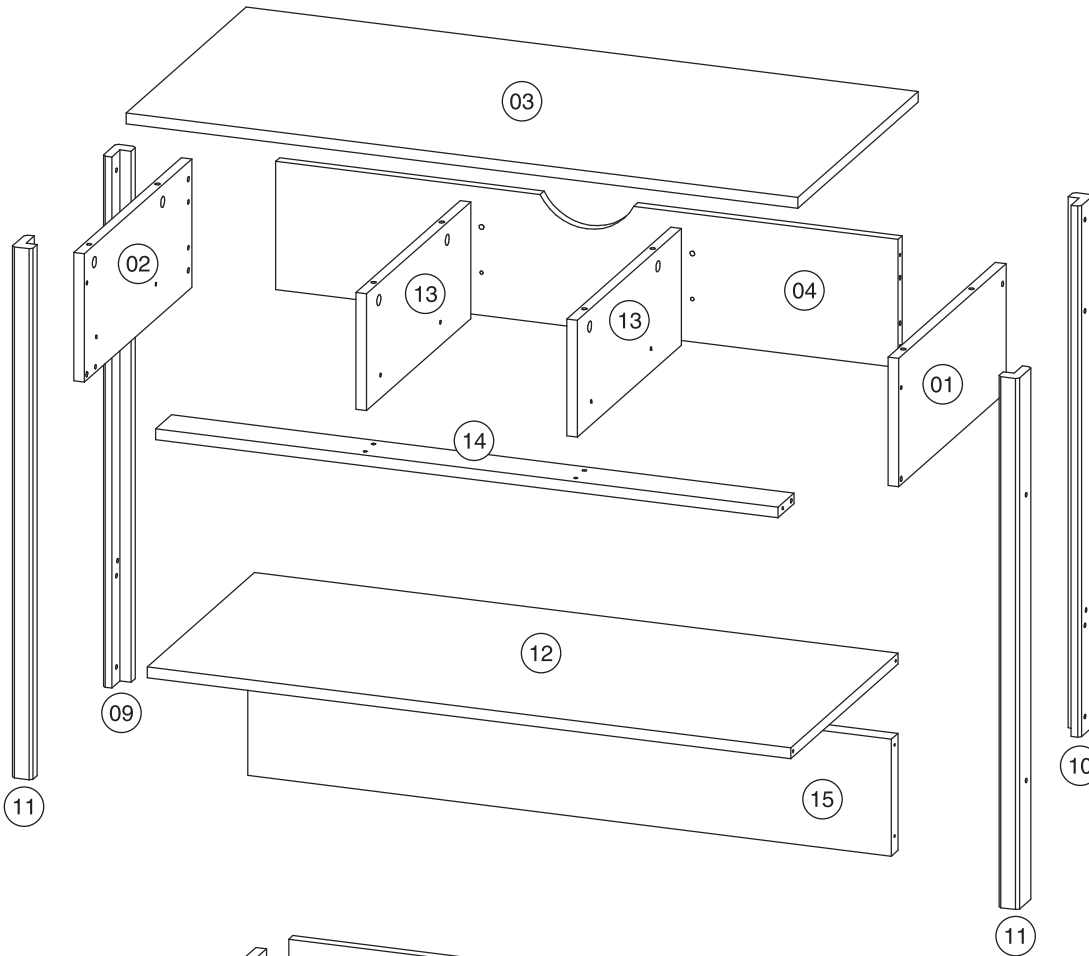
Do not use the furniture as a writing surface without a padded barrier.

IMPORTANT: Take care not to over-tighten screws as doing so may crack the wood or strip the screw hole, causing a weak connection and reduced stability.

NOTICE:

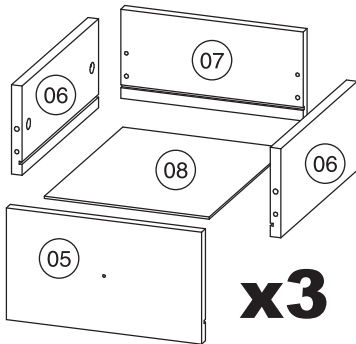
Manufacturer and seller expressly disclaim any and all liability from personal injury, property damage or loss, whether direct or indirect, or incidental, resulting from the incorrect attachment, improper use, inadequate maintenance, or neglect of this product.

COMPONENTS



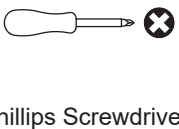
Inspect packaging to ensure all parts are accounted for before disposing of packing materials.

No.	PART NAME	QTY.
1	Right Side Panel	1
2	Left Side Panel	1
3	Tabletop	1
4	Top Back Panel	1
5	Drawer Front	3
6	Drawer Side Panel (L/R)	6
7	Drawer Back	3
8	Drawer Bottom	3
9	Left Back Leg	1
10	Right Back Leg	1
11	Front Leg	2
12	Shelf	1
13	Divider	2
14	Traverse	1
15	Bottom Back Panel	1

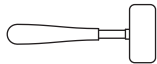


No.	HARDWARE	QTY.
A	Wood Dowel	22
AZ	Hex Key	1
B	Cam Screw	20
BX	M3x12mm Flat Screw	4
C	Cam Lock	20
CZ	M4x25mm Wood Screw	2
D	M3.5x14mm Flat Screw	20
DE	M5x50mm Screw	1
DF	M4x25mm Bolt	3
DZ	M5x50mm Conformat Screw	18
FM	Screw Cap	18
HE	Angle Bracket	1
L	Wall Anchor	1
L1	Left Drawer Slide Track	3
L2	Left Drawer Slide	3
P	M6x8mm Set Screw	12
PX	Knob	3
R1	Right Drawer Slide Track	3
R2	Right Drawer Slide	3
X	Plastic Foot	4
Y	Sticker	12

TOOLS REQUIRED (not included)



Phillips Screwdriver



Rubber Mallet



Power Drill with 6mm Bit

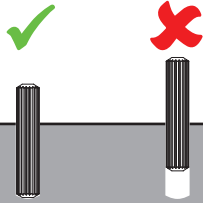
! WARNING !

CHOKING HAZARD — This item contains small parts that can be swallowed. Keep children and pets away during assembly.

⚠ IMPORTANT INSTALLATION INFORMATION ⚠

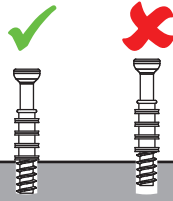
For the stability of the unit, it is important that furniture connectors are installed correctly. See drawings and tips below for proper installation.

Wood Dowel



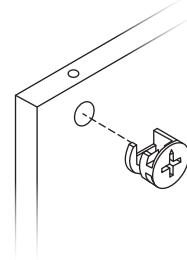
Install wood dowels by gently tapping them into the designated hole using a rubber mallet.

Cam Screw



Use a screwdriver to tighten the cam screw until the shoulder is flush with the panel. Do not over-tighten or under-tighten.

Cam Lock



Align the cam lock opening (arrow) with the pre-drilled hole on the side of the panel. Use a screwdriver to adjust alignment as needed.

ASSEMBLY

STEP 1

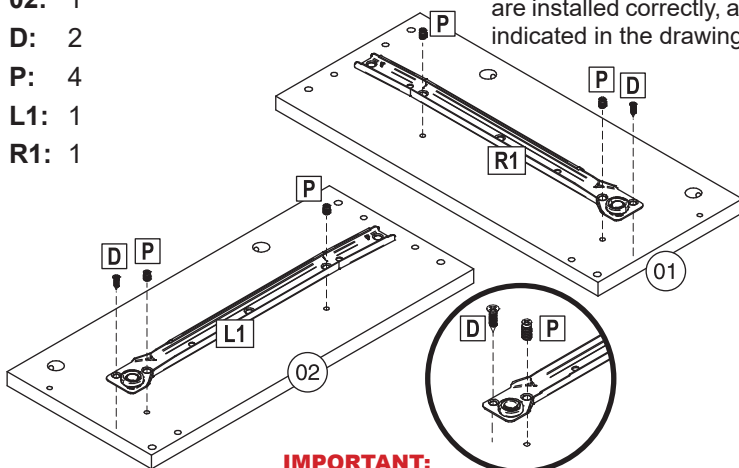
TOOLS REQUIRED



IMPORTANT:

Ensure the slide tracks are installed correctly, as indicated in the drawing.

- 01: 1
- 02: 1
- D: 2
- P: 4
- L1: 1
- R1: 1

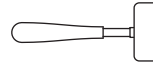


IMPORTANT:

Install Flat Screw (D) *after* Set Screws (P).

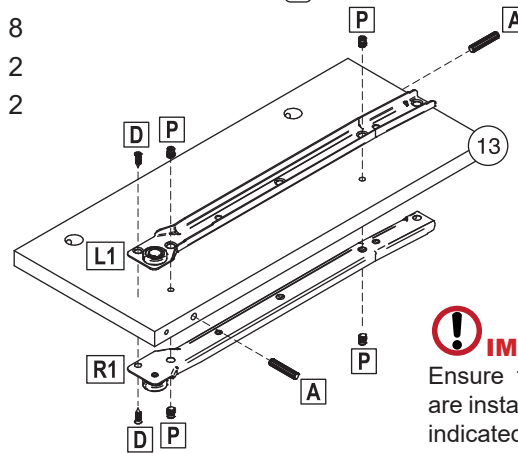
STEP 2

TOOLS REQUIRED



TIP: Install wood dowels by gently tapping them into the designated hole using a rubber mallet.

- 13: 2
- A: 4
- D: 4
- P: 8
- L1: 2
- R1: 2



x2

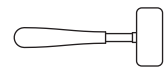


IMPORTANT:

Ensure the slide tracks are installed correctly, as indicated in the drawing.

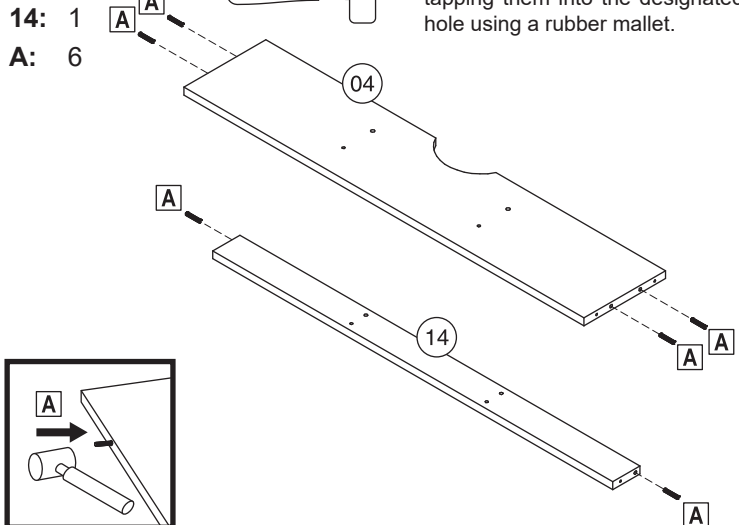
STEP 3

TOOLS REQUIRED



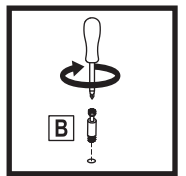
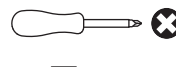
TIP: Install wood dowels by gently tapping them into the designated hole using a rubber mallet.

- 04: 1
- 14: 1
- A: 6

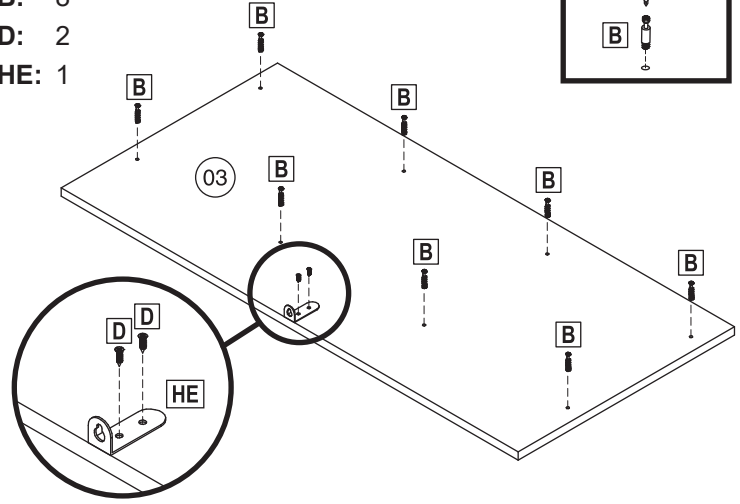


STEP 4

TOOLS REQUIRED

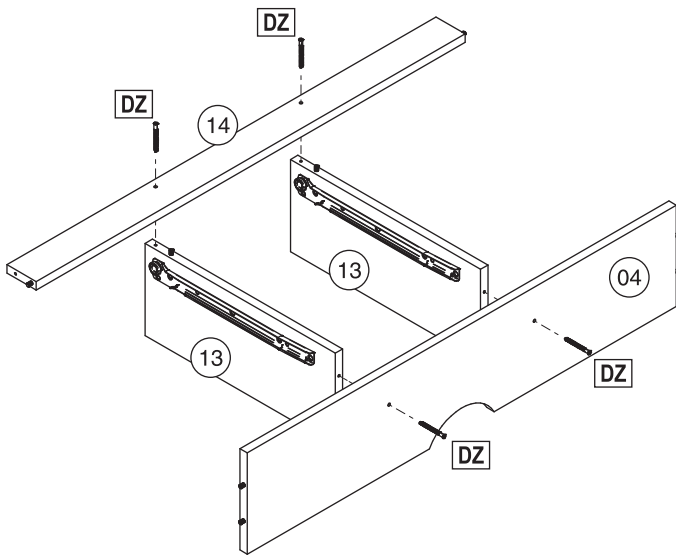


- 03: 1
- B: 8
- D: 2
- HE: 1



STEP 5 TOOLS REQUIRED

DZ: 4

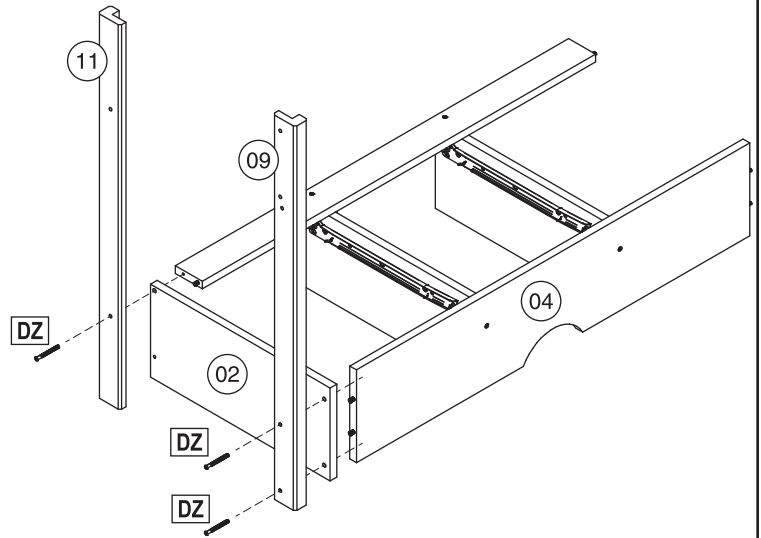


STEP 6 TOOLS REQUIRED

09: 1

11: 1

DZ: 3

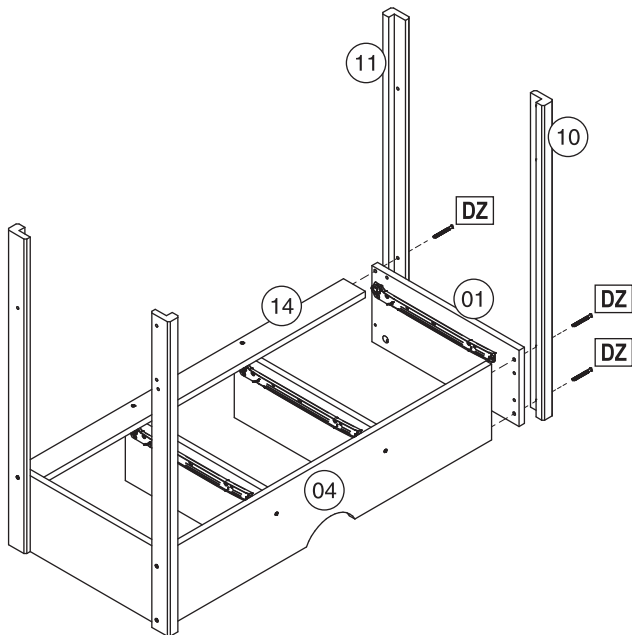


STEP 7 TOOLS REQUIRED

10: 1

11: 1

DZ: 3

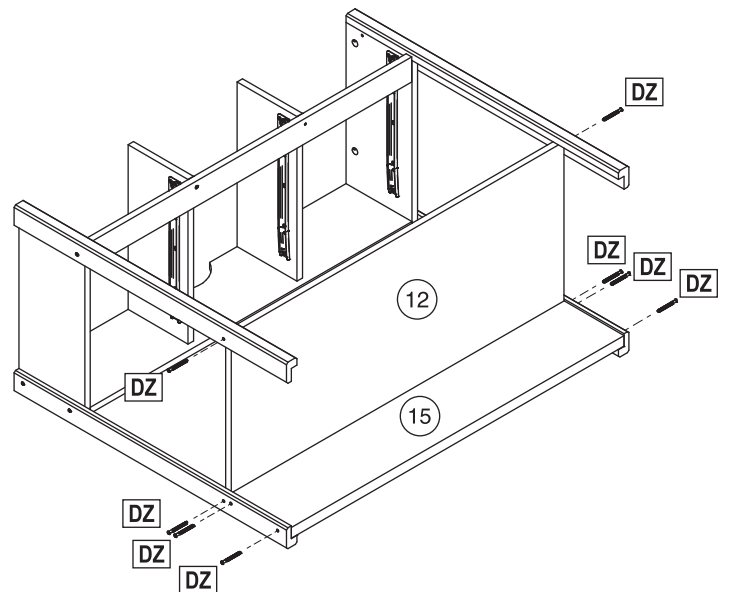


STEP 8 TOOLS REQUIRED

12: 1

15: 1

DZ: 8

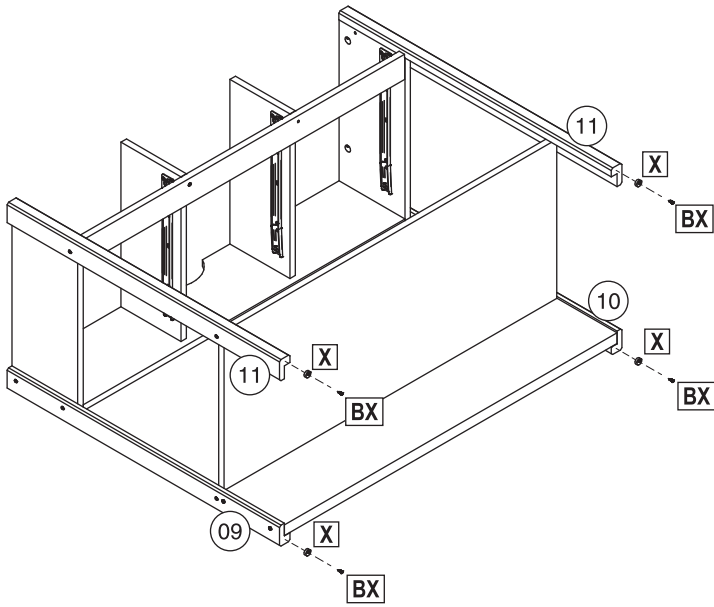


STEP 9TOOLS REQUIRED

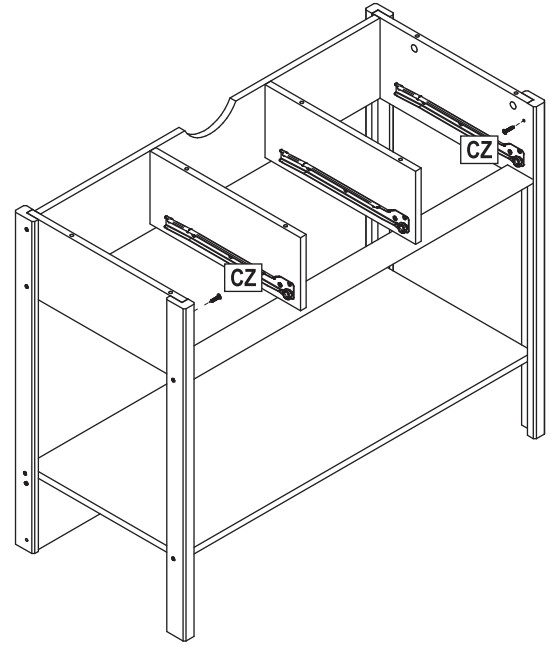
BX: 4



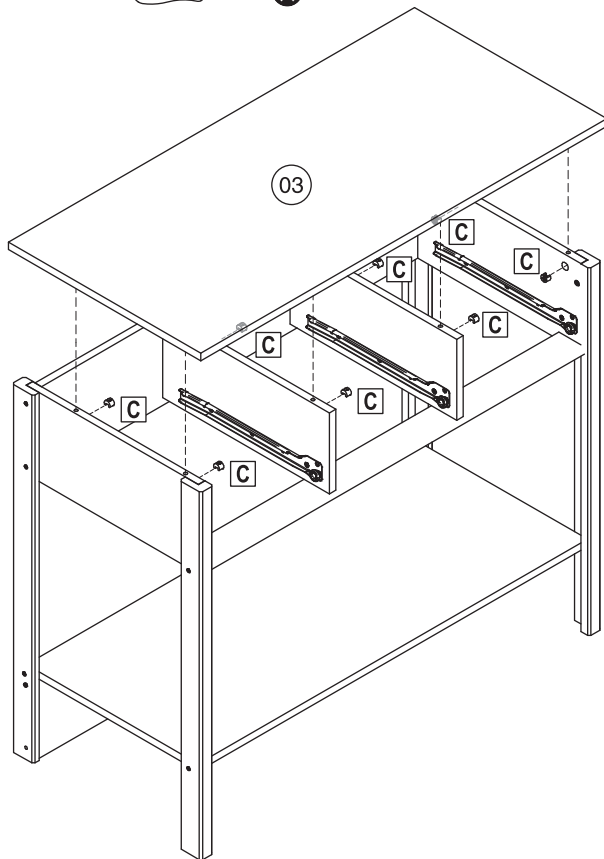
X: 4

**STEP 10**TOOLS REQUIRED

CZ: 2

**STEP 11**TOOLS REQUIRED

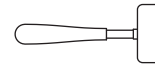
C: 8

**STEP 12**TOOLS REQUIRED

05: 3



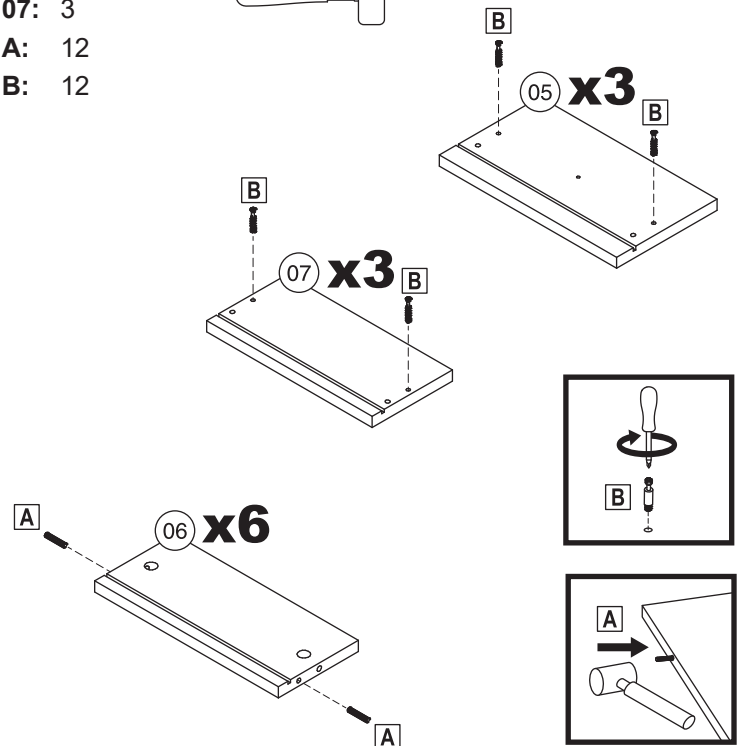
06: 6



07: 3

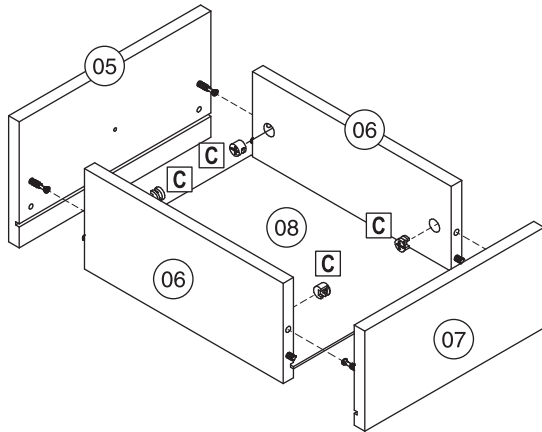
A: 12

B: 12



STEP 13TOOLS REQUIRED

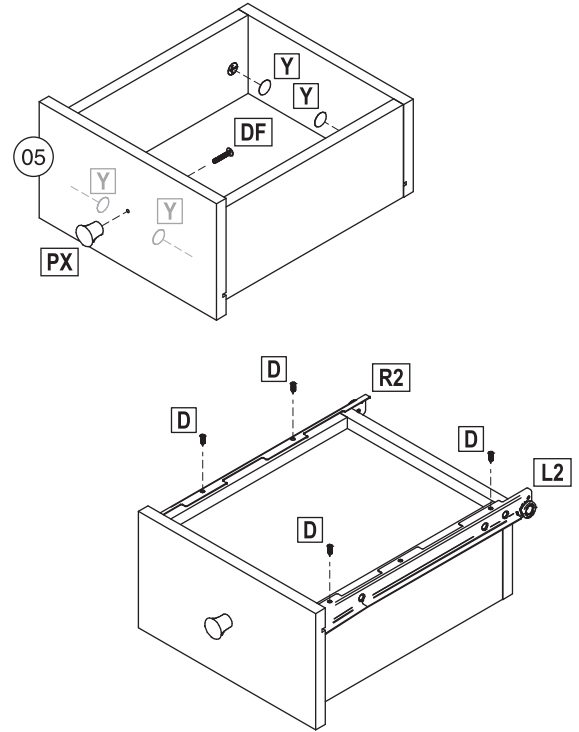
08: 3
C: 12

**x3****STEP 14**TOOLS REQUIRED

DF: 3
PX: 3
Y: 12

**x3**

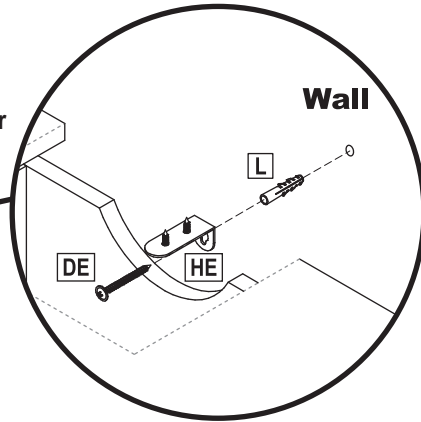
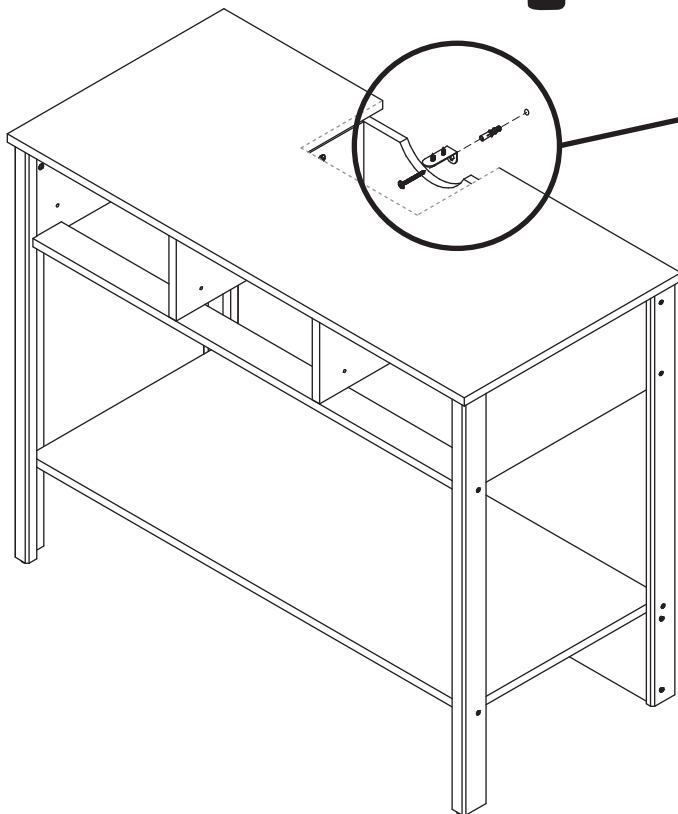
D: 12
L2: 3
R2: 3

**STEP 15**TOOLS REQUIRED

DE: 1
L: 1



Assistance is recommended for moving furniture.



WARNING: Check for pipes and electrical wiring before drilling.

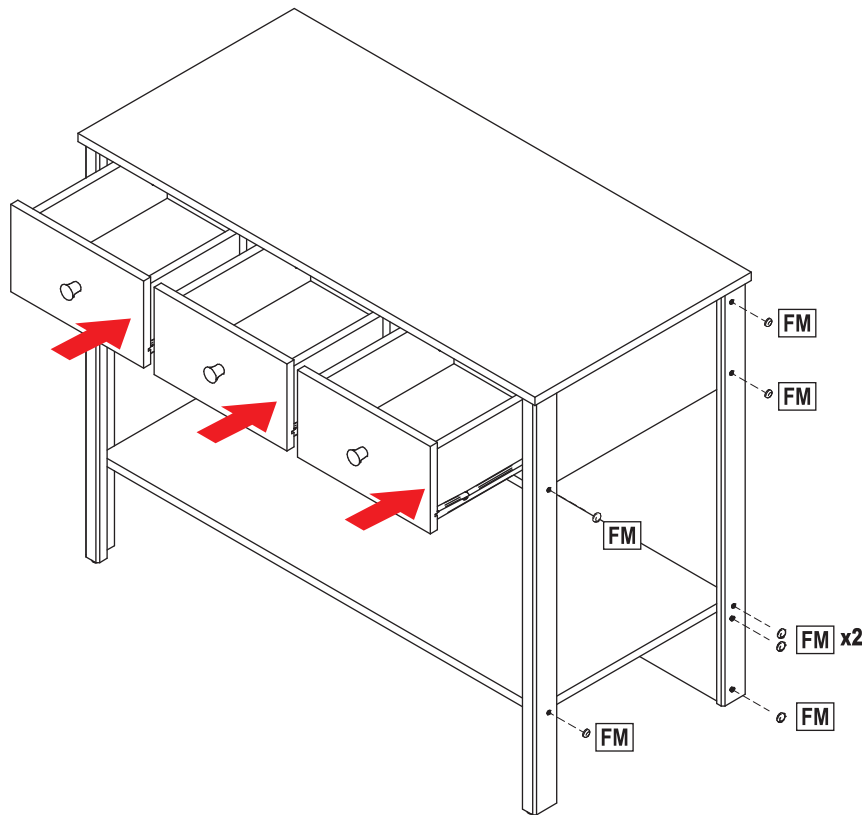
IMPORTANT: The included wall anchor is suitable for drywall and masonry walls. Select a drill bit that is suited for your wall material and is smaller than the wall anchor; if the drill bit is too large, the tipover restraint system will be faulty. If in doubt about installing the tipover restraint, consult a certified professional.

Carefully measure and mark the location of pilot hole before drilling.

- Place the unit against the wall and mark the position for drilling the pilot hole.
- Move the unit away from the wall.
- Drill a pilot hole to the depth of the wall anchor.
- Insert the wall anchor, ensuring the opening is flush with the wall.
- Align the unit with the wall anchor and secure the unit to the wall using the included 50mm Screw.

STEP 16

FM: 18



Also apply screw caps to the opposite side of the table.

Note, this unit may include extra screw caps; save any extra caps in the event one falls off and becomes lost.

! SAFETY STATEMENTS & WARNINGS !

- For residential use only. Not for commercial or industrial use.
- For indoor use only.
- Ensure all fittings are tight before use. Periodically check fittings to ensure they are tight.
- Only use this unit on a flat, level surface.
- Do not sit, stand or climb on the unit.
- Supervise children; never allow children to climb or sit on this unit as it may tip over and cause serious injury.
- Do not place liquids or hot items directly on the furniture.
- Never put a television on this product.
- Never use chemical cleaning products or polishes as doing so may damage the finish.
- Do not exceed the weight capacity of the furniture.
- Do not overload the shelf as doing so may cause it to sag.
- Do not overload the drawers as doing so may cause permanent damage.
- Do not place the unit in direct sunlight.
- Avoid placing the unit near heating or cooling vents as forced air is very drying and can damage the unit.
- Do not write on furniture without a padded barrier to protect the surface.

Any modification to the product or failure to follow recommended care will void the product warranty.

If you experience issues with assembly or the product was damaged during shipping, please contact our customer service team directly through one of the methods mentioned at the top of page 1.

Please have the item number and order information ready to expedite response time.

! NOTICE:

Manufacturer and seller expressly disclaim any and all liability from personal injury, property damage or loss, whether direct or indirect, or incidental, resulting from the incorrect attachment, improper use, inadequate maintenance, or neglect of this product.