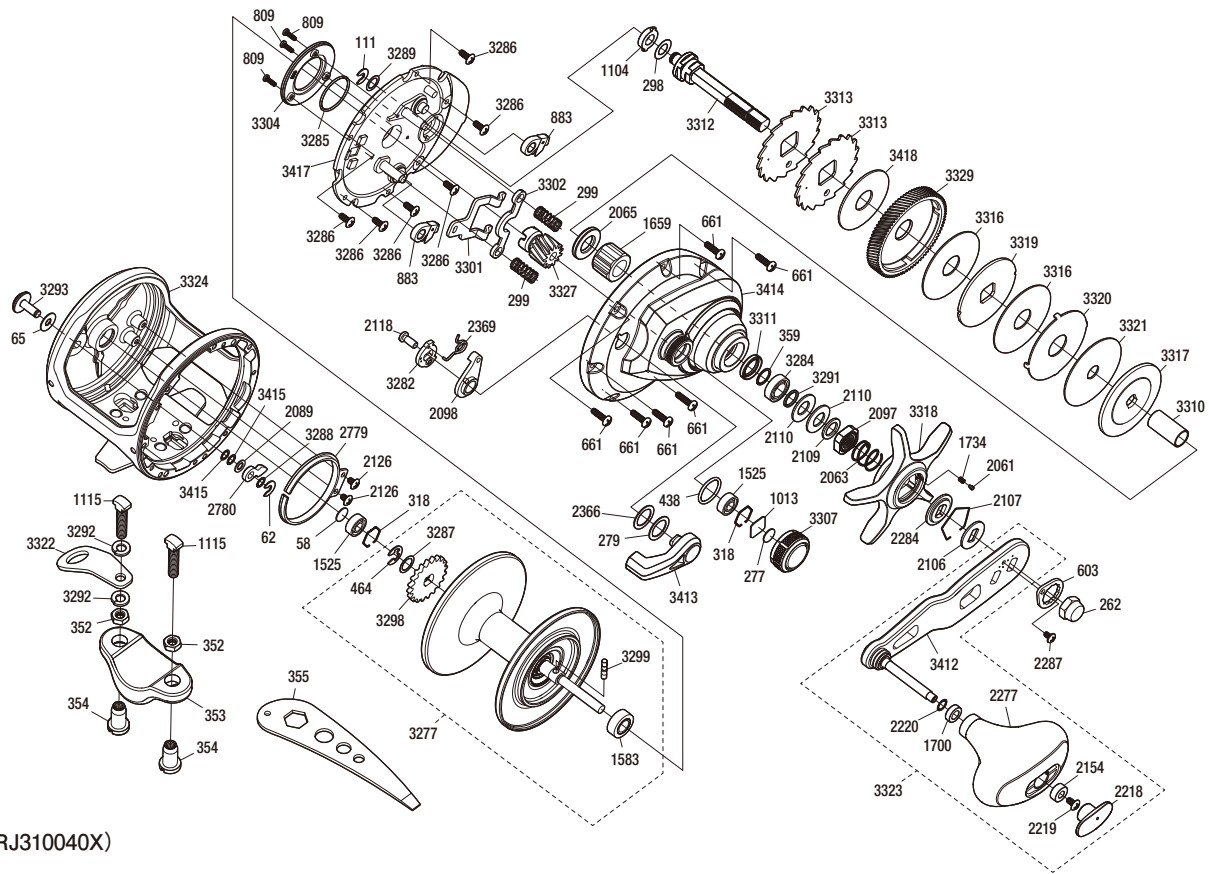


SHIMANO

TORIUM

TOR40PGA



(51RJ310040X)

#	Part No.	Description	#	Part No.	Description	#	Part No.	Description
58	10GEU	Spacer B	2107	10KXW	Click Plate Retainer	3307	10QWM	Cast Control Cap
62	105NK	E Lock	2109	10J1P	Star Drag Spacer	3310	10QX2	Roller Clutch Inner Tube
65	104H2	Washer	2110	109LA	Coned Disc Spring 8h	3311	10SK0	Roller Clutch Water Proof
111	105NJ	E Lock	2118	10MFB	Screw	3312	10QX1	Drive Shaft
262	10FT1	Handle Nut	2126	10LHW	Screw	3313	10EEQ	Anti-Reverse Ratchet
277	10896	Cast Control Spacer B	2154	10EU0	Bushing	3316	10QWY	Drag Washer B
279	10JYS	Washer	2218	106K0	Handle Knob Seal	3317	10SK1	Key Washer
298	10588	Washer	2219	10LFA	Screw	3318	100XQ	Star Drag
299	104BY	Yoke Spring	2220	10HEP	Washer	3319	10QX7	Drag Washer C
318	10GGM	Bearing Retainer	2277	105ZD	Handle Knob	3320	10QWV	Eared Washer E
359	105PW	Washer	2284	10J26	Star Drag Click Plate	3321	10QXC	Drag Washer F
438	108WK	O Ring	2287	10LLU	Screw	3323	10E96	Handle Assembly
464	105RY	E Lock	2366	10JYT	Washer	3324	10REB	Frame Assembly
603	10LMC	Handle Nut Plate	2369	10JYW	Clutch Spring	3327	10QXD	Pinion Gear
661	10M70	Screw	2779	10GUV	Click Spring	3329	10QXE	Drive Gear
809	103NH	Screw	2780	10GQP	Click Pawl	3412	101F4	Handle Shank Assembly
883	10MWC	Anti-Reverse Pawl	3277	10REA	Spool Assembly	3413	101F0	Clutch Lever
1013	1085F	Spool Tension Spacer	3282	10E91	Clutch Cam	3414	101F5	Right Side Plate
1104	10G74	Bushing	3284	104PT	Ball Bearing	3415	10KF8	Washer
1525	105CA	Ball Bearing	3285	1004V	O Ring	3417	101G0	Left Side Plate Set Assembly
1583	104Q5	Ball Bearing	3286	10T7L	Screw	3418	10RND	Drag Washer A
1659	10F37	Roller Clutch Bearing	3287	10GR4	Washer			
1700	104UJ	Bushing	3288	10HER	Washer	352	105N9	Rod Clamp Nut B
1734	10BT2	Click Spring	3289	10G4U	Washer	353	10AR5	Rod Clamp
2061	10MFC	Click Pin B	3291	100SE	Washer	354	1046P	Rod Clamp Nut A
2063	10A70	Star Drag Spring	3293	10QX0	Click Button	1115	10EXG	Screw
2065	10C69	Roller Clutch Water Proof	3298	10QWN	Click Gear	3292	10QWZ	Washer
2089	10GHP	Washer	3299	10MGS	Spool Clutch Pin	3322	10QXB	Hook Keeper
2097	10A3X	Star Drag Nut	3301	10QWR	Yoke Plate			
2098	10L2A	Eccentric Cam Bushing	3302	10QWS	Yoke			
2106	107QN	Drive Shaft Shield	3304	100FC	Drainage Plate	355	10MJ2	Wrench (Accessory)

Please note that the number of adjusting washers may not be the same as shown in the exploded views.
(Adjustment will vary with each individual product.)

(230712)_004