



612UA USER'S MANUAL

MP3-COMPATIBLE DIGITAL MEDIA AM/FM RECEIVER



CONTENTS

Precautions.....	1
Precautions & Warnings	1
Installation.....	2-3
Installation Procedures	2
Installation Opening.....	2
Wiring Connections.....	3
Removal of the Main Unit	3
Overview of the Components	4
General Operation	4-5
Power On/Off	4
Adjust Volume (VOL)	4
Adjust Menu Options (SEL)	4
Change the Source.....	5
Setting the Clock (DISP).....	5
Mute On/Off.....	5
USB Port	5
Aux Audio Input Jack	5
Reset	5
Radio Operation	6
Switch Between USA area and Europe area Frequency.....	6
Change Bands (BAND)	6
To Store / Recall Preset Stations.....	6
Manual Tuning / Seek Tuning	6
Automatic Store Preset Station (AMS).....	6
Aux Audio Operation.....	6
USB Operation	7
Play MP3/WMA music from a USB device	7
Select Next Track or Previous Track	7
Fast Forward/Reverse	7
Play / Pause	7
Introduction Scan	7
Repeating The Track.....	7
Playing All Tracks In Random.....	7
Track/Folder Navigation	7
Select the track or file for playback in MP3 format	7
Troubleshooting.....	8
Specifications	9

PRECAUTIONS

Precautions & Warnings

- To reduce the risk of fire, electric shock, and interference, do not attempt to repair this unit yourself. Refer all service to a qualified technician.
- Some MP3/WMA files may not be playable.
- Keep the volume at a reasonable level to avoid distracted driving. High volume levels may make it difficult to concentrate on traffic and road conditions while driving.
- If the car has been in direct sunlight for an extended period, you may need to reduce the temperature inside the car before turning on and using the unit.
- If the battery is disconnected, discharged, or changed, the preset memory of the unit will be lost and require reprogramming.
- The unit is designed to be installed in a level, horizontal position. For optimal performance, avoid installing the unit at an angle.
- Never use excessive force when removing or attaching the faceplate.
- Do not tightly grip the display and buttons to avoid damage.

INSTALLATION

Installation Procedures

First complete the electrical connections and then check for correctness of connection.

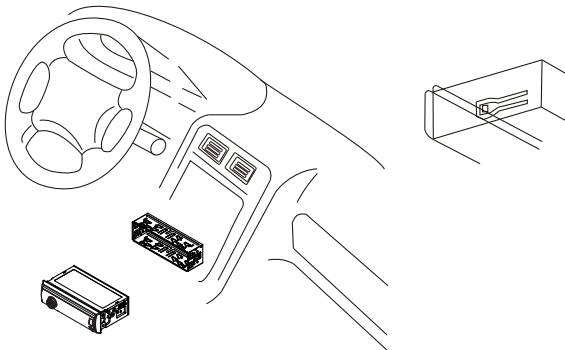
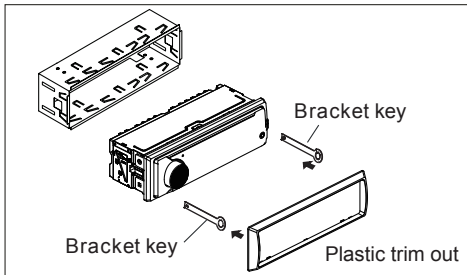
Installation Opening

This unit can be installed in any dashboard which has an opening as shown below.



Insert the mounting sleeve into the dashboard. Then bend the tabs on the mounting sleeve with a screwdriver to achieve fastening of the mounting sleeve.

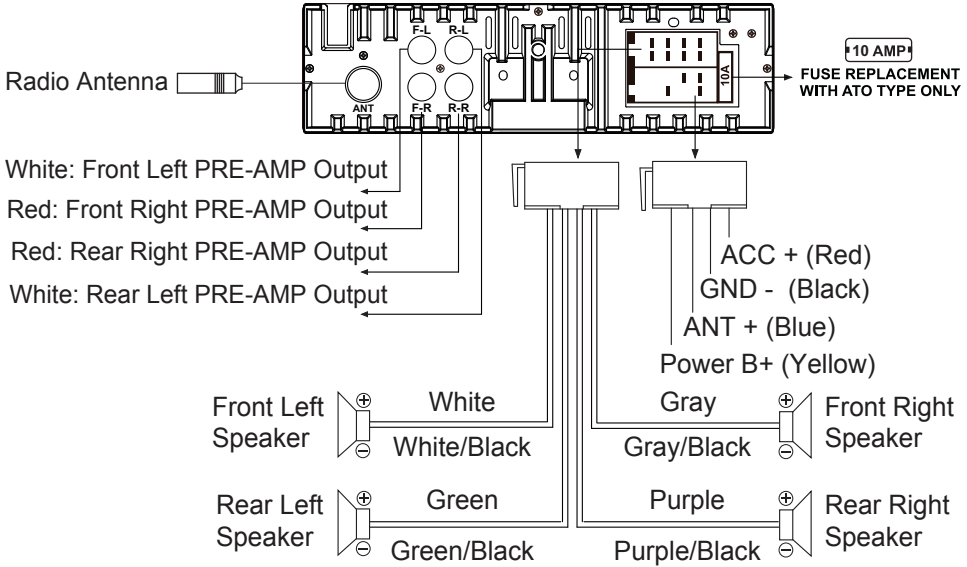
Make sure that lock lever is flush with the mounting sleeve(not projecting outward).



INSTALLATION(CONT.)

Connect all wiring harness and slide the head unit into the mounting collar until it clicks into place.

Wiring Connections

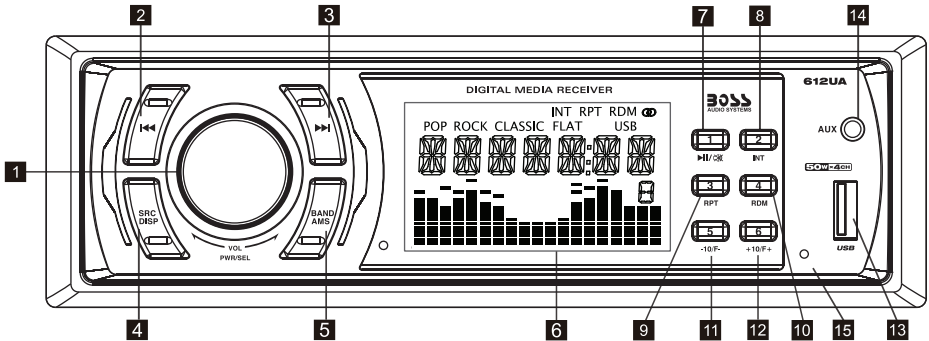


- +12V DC Negative Ground.
- Only support speakers of 4 ohms or above.
- The maximum current of the Amp remote trigger is 200mA.
- The equipment shall be protected by the circuit with max. 15 Amperes of the front end of DC source.

Uninstall the Main Unit

1. Remove the plastic trim out from the main unit.
2. Insert a bracket key into the left and right side of the main unit and draw the unit out of the mounting sleeve.

Overview of the Components



1. PWR(power On/Off), VOL (volume) knob and SEL (select/menu) button
2. ◀◀ (tune/seek down, previous track, fast reverse) button
3. ▶▶ (tune/ seek up, next track, fast forward) button
4. SRC (source) button, DISP(clock setting) button
5. BAND button, AMS(automatic store / preset station scan, automatic music search) button
6. LCD Display
7. ⏸ (pause/play), 🔇 (MUTE) button, Preset station 1 button
8. INT (intro), Preset station 2 button
9. RPT (repeat), Preset station 3 button
10. RDM (random), Preset station 4 button
11. -10(previous 10 tracks), F-(previous folder), Preset station 5 button
12. +10(next 10 tracks), F+(next folder), Preset station 6 button
13. USB Port
14. AUX IN (auxiliary input) jack
15. Reset button

General Operation

Turn Unit on/off

Press any button to turn on the unit. Press and hold the **VOL** knob to turn off the unit.

Adjust the volume

Rotate the **VOL** knob to increase or decrease the volume level.

Adjust Menu Options

- Press the **VOL** knob repeatedly to cycle through the following adjustable audio functions:

General Operation

- ILL MID/HI/LOW: This receiver is equipped with 3 brightness settings. Rotate the volume knob to preset the illumination to middle, high or low.
 - BASS/TREBLE: -7, -6, ~, -1, 0, +1, ~, +6, +7
 - BALANCE: L7, L6,~, L1, 0, R1,~,R6, R7
 - FADER: R7,R6, ~, R1,0, F1,~,F6, F7
 - Loudness: LOUD ON/OFF
 - EQ(Equalizer) Setting: OFF, FLAT, CLASSIC, POP, ROCK, JAZZ
 - STEREO/MONO: Switches between MONO and STEREO reception mode for radio frequencies.
 - DX/LOCAL: Enables or disables the local broadcast mode (LOCAL).
 - CLOCK 12/24: Select between 12 hours and 24 hours display.
Note: If 12 hour display is selected , AM= Morning; PM= Afternoon
 - AREA US/EU: This car radio is equipped the USA / Europe frequency. Rotate the volume knob to switch between USA and Europe frequency. The system will change the frequency setting in about 3 seconds.
- Rotate the **VOL** knob to adjust the selected item.

Change the Source

Press the **SRC/DISP** button to select the different modes: Radio, USB(with USB device inserted) and AUX-IN(aux audio input) modes.

Setting the Clock

Press and hold the **SRC/DISP** button to display time. Press the **SRC/DISP** button again, the hours digits start flashing on the display.

Set hours by rotating the **VOL** knob.


Press the **SRC/DISP** button or **VOL** knob again.

The minute digits start flashing. Set minutes by rotating the **VOL** knob.

Press the **SRC/DISP** button or **VOL** knob to confirm settings.

LCD Display

Mute On/Off

In power on mode, short press the  (MUTE) button to toggle mute on or off.

USB Port

Connect to a USB storage device for audio play, or charging of a mobile phone.

Aux Audio Input Jack

Connect to the headphone jack on an external device (e.g. a mobile phone or MP3 player) for audio play.

Reset

Push the **RESET** button with a thin object with a pointed end to reset the unit. This function may be used when the LCD does not display normally or sound is distorted, or when any of controls are disabled.

Radio Operation

Switch Between USA area and Europe area Frequency

In radio mode, press the **VOL** knob to enter the switch state of the US(USA) and EU(europe) frequency, then rotate the **VOL** knob to switch between US (USA) and EU(europe) frequency. The system will change the frequency setting in about 3 seconds.

Change Bands

In radio mode, shortly press the **BAND/AMS** button to switch between the FM1(F1), FM2(F2), FM3(F3) and AM1(A1), AM2(A2) bands.

To Store / Recall Preset Stations

The radio can be stored 6 preset stations for each band (FM1, FM2, FM3, AM1 and AM2) for a total of 30 preset stations.

- To memorize a station:

Press and hold the desired preset buttons (1-6) to save a radio station.

- To recall a preset station:

Briefly press the respective station button (1-6) to recall the corresponding preset station.

Manual Tuning

In the radio mode:

Press and hold the **▶▶** or **◀◀** button to enter the manual tuning mode.

In manual tuning mode, briefly press the **▶▶** or **◀◀** button to search the next or previous frequency step by step.

Seek Tuning

In radio mode, press the **▶▶** or **◀◀** button, the automatic search will start, it will search upward or downward for the strong signal radio station within the current band. The auto searching will stop until find a station.

Automatic Store Preset Station (AMS)

Press and hold the **BAND/AMS** button to store 18 FM stations and 12 AM stations automatically.

Aux Audio Operation

Using this socket, it is possible to hear the sound of other playback devices such as MP3 players, CD players etc. through the car loudspeaker.

1. Please connect the external device with a 3.5 mm stereo jack plug to the AUX socket.

2. Press the **SRC** button repeatedly until "AUX IN" appears in the display.

3. You hear the playback from the external device via the loudspeakers.

You can adjust the volume of the external device to a comfortable level with the volume control of this device.

USB Operation

Play MP3/WMA music from a USB device

Insert the USB stick with MP3/WMA musics into the USB port, it will play automatically. Note: the USB port also supports charging mobile phone, the maximum charging ability is 5V / 1A.

Select Next Track or Previous Track

In the USB mode, briefly press the ►► or ◄◄ button to play the the next or previou track.

Fast Forward/Reverse

Press and hold the ►► or ◄◄ button to fast forward or reverse a track.

Play / Pause

Press the ►|| button to interrupt the playback of a music (pause function). Press this button again to continue the playback.

Introduction Scan

Press the INT button to play the first 10 seconds of each track. Press again to stop the introduction scan, and play the current track.

Repeating the track

Press the RPT button to toggle between RPT ONE (Continuously repeat current track) and RPT FOD (Continuously repeat all tracks in current folder), RPT ALL (Play all track).

Playing all tracks in random

Press RDM once, play all tracks randomly. Press RDM once again, exit from random playback.

Track/Folder Navigation

- Press the -10/F- or +10/F+ button buttons to jump 10 tracks backward or forward. It is required that over 10 tracks be available on the storage medium.
- Press and hold the -10/F- or +10/F+ button button to select the previous or the next folder. (If there are folders on the storage medium.)

Select the track or file for playback in MP3 format

- Press and hold the BAND/AMS button to enter track search mode.
- Rotate the volume knob to select the number of your favorite track with high speed.
- When the desired track number appears, confirm your selection by pressing the VOL knob.

TROUBLESHOOTING

If you suspect something is wrong, immediately switch power off. Do not use the unit in abnormal condition, for example without sound, or with smoke or foul smell, can cause fire or electric shock.

Immediately stop using it and call the store where you purchased it. Never try to repair the unit by yourself because it is dangerous to do so.

• General

1) Car's engine switch is not on.

Turn you car's key to ACC or ON.

2) Cable is not correctly connected.

Check the connection.

3) Fuse is burnt.

Replace fuse.

4) Volume is in mute or minimum.

Check volume or mute on/off, adjust volume to a desired level.

5) Sound skips.

The installation angle is more than 30°. Adjust the installation angle less than 30°.

6) The operation keys do not work.

The built-in micro- computer is not operating properly due to noise. Press the RESET button to restore the program to zero.

• Radio

1) Much noise in broadcasts.

Station or signal is too weak. Select other stations of stronger signal level.

2) The antenna cable is not connected.

Insert the antenna cable firmly into the antenna socket of this car radio.

3) Preset station is reset.

Battery cable is not correctly connected. Connect the battery cable to the terminal that is always live.

• USB

USB is connecting but no sound

a) USB connection is not good.

Take it out and insert again.

b) USB is damaged or no music file inside.

Change to another USB, or record music inside it.

SPECIFICATIONS

Specifications

General

Power supply Requirement :	DC 12V
Maximum power output :	50W X 4CH
Speaker impedance :	4 - 8 Ohm
Unit Dimensions(WxHxD) :	7.0 X 2.0 X 2.76 inches
Weight :	1.04 lbs
Fuse :	10 A

RADIO

FM

Frequency Range:	87.5 MHz - 107.9 MHz (USA) 87.5 MHz - 108.0MHz (EUROPE)
Channel step:	200 KHz (USA) 50 KHz (EUROPE)

AM

Frequency Range:	530 KHz - 1710 KHz (USA) 522-1620 KHz (EUROPE)
Channel step:	10 KHz (USA) 9 KHz (EUROPE)

USB

Usable Audio Formats:	MP3/WMA
USB Port Type:	2.0
USB Charging:	5V/1A
Pre-amp Output:	Front and Rear
Frequency Response:	20 Hz - 20KHz
S/N Ratio:	60dB



BOSS Audio Systems
3451 Lunar Court • Oxnard, CA 93030
www.bossaudio.com
805-751-4853 Customer Service
Tech Support: www.bossaudio.com/support



0421