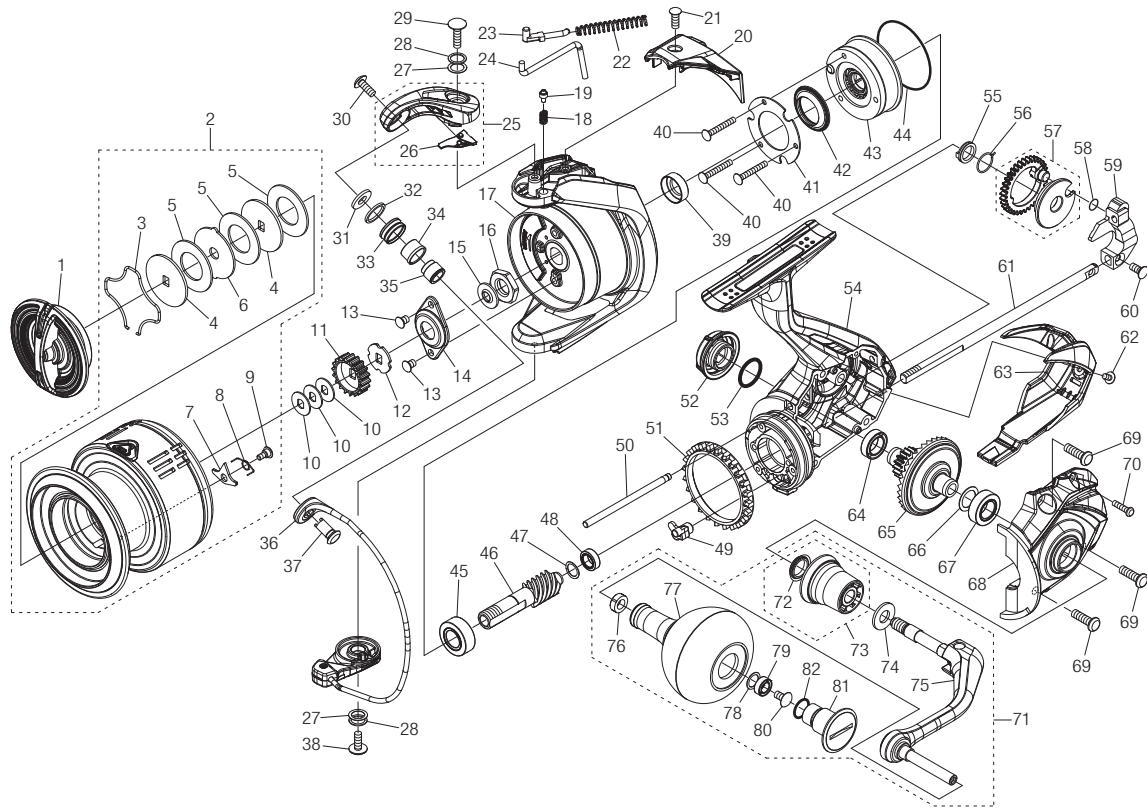


SHIMANO

NASCI

NASC5000XGFD



(51SF91DH49X) Please note that the number of adjusting washers may not be the same as shown in the exploded views.
(Adjustment will vary with each individual product.)

#	Part No.	RD No.	Description	#	Part No.	RD No.	Description	#	Part No.	RD No.	Description
1	101UA	21847	Drag Knob Assembly	31	107X1	17164	Washer	61	101SZ	17934	Main Shaft
2	14A9J		Spool Assembly	32	10KFD	6684	Spacer	62	10LCS	17863	Screw
3	10B8N	16931	Retainer	33	10JLF	9368	Line Roller	63	10R94	21858	Rear Protector
4	10BCE	16774	Key Washer	34	10PFH	10184	Bushing	64	107FA	12969	Ball Bearing
5	100EN	20372	Drag Washer	35	149ZC		Collar	65	1023Z	21864	Drive Gear
6	102XX	22328	Eared Washer	36	14CAB		Bail Assembly	66	10EEZ	21178	Washer
7	1038D	14887	Drag Click	37	149ZA		Line Roller Support	67	107AT	8553	Ball Bearing
8	10JM5	14888	Drag Click Spring	38	103DA	20370	Screw	68	14A97		Side Cover
9	10PH5	14830	Screw	39	10JHG	17205	Rotor Ring	69	101EH	18822	Screw
10	10BXN	3455	Spool Washer	40	103C6	4798	Screw	70	10R7G	22354	Screw
11	103MU	14832	Spool Support A	41	10L62	17206	Roller Clutch Reinforce	71	14APU		Handle Assembly
12	10J04	14833	Spool Support B	42	10MH6	17207	Roller Clutch Water Proof	72	10PXV	17695	Handle Shaft Seal
13	10PMC	17189	Screw	43	10QPN	17251	Roller Clutch Assembly	73	10E7V	22440	Handle Shaft Cover Assembly
14	10TRH	17670	Nut Lock Plate	44	10MLU	17688	O Ring	74	10E5X	20170	Washer
15	107L4	17190	Bearing Water Proof	45	107FE	8554	Ball Bearing	75	14CAD		Handle Shank Assembly
16	1067Y	17192	Rotor Nut	46	14A9F		Pinion Gear	76	10PXZ	17698	Bushing
17	148D4		Rotor	47	10SYU	18741	Washer	77	149Z2		Handle Knob Assembly
18	10CH0	8916	Click Spring	48	10RKR	20644	Ball Bearing	78	104FH	19745	Washer
19	106ZC	17415	Click Pin	49	149ZL		Anti Reverse Cam	79	10K64	21823	Ball Bearing
20	148D6		Bail Spring Cover	50	101HU	21853	Oscillating Guide	80	10LFA	17700	Screw
21	103CJ	16354	Screw	51	104FV	17690	Friction Ring	81	14A9N		Handle Knob Seal
22	10FVC	17390	Bail Spring	52	10RSK	19803	Handle Screw Cap	82	10LAA	13673	O Ring
23	105LT	9427	Bail Spring Guide	53	108WH	0582	O Ring				
24	106P4	17242	Bail Trip Lever	54	14CAK		Body Assembly				
25	14CAA		Bail Arm Assembly	55	10TBH	21815	Bushing				
26	14A9E		Bail Arm Fin	56	10RPB	22418	Bushing Spring				
27	10KFA	11166	Washer	57	10U1D	22471	Oscillating Gear				
28	10K96	18551	Washer	58	10241	21856	O Ring				
29	103LT	13918	Screw	59	101UC	21857	Oscillating Slider				
30	10PMH	18681	Screw	60	10ML7	17342	Screw				