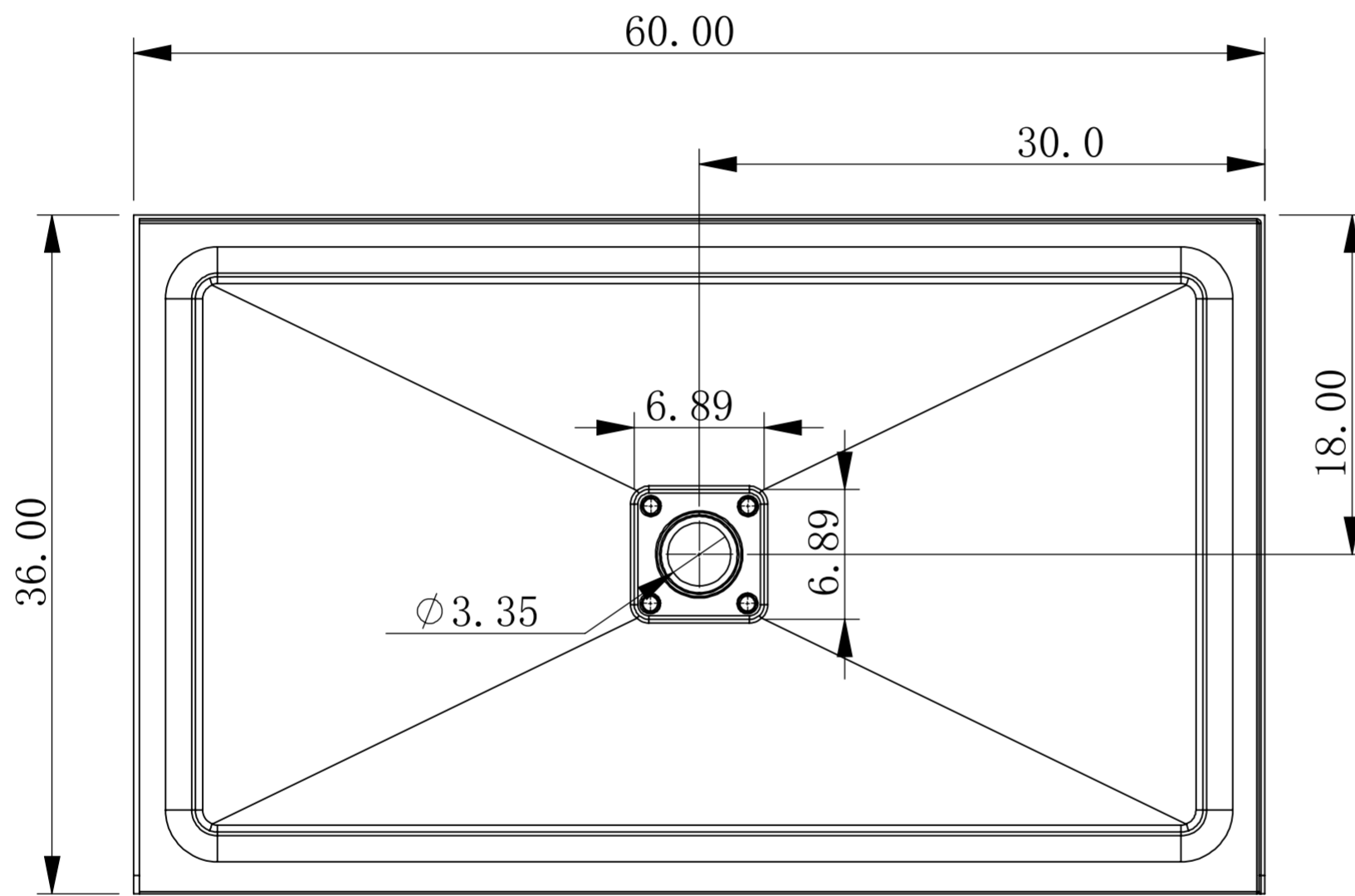




# SB-AZ007WC

## SHOWER BASE



### DRAIN COVER

