

A

B

C

D

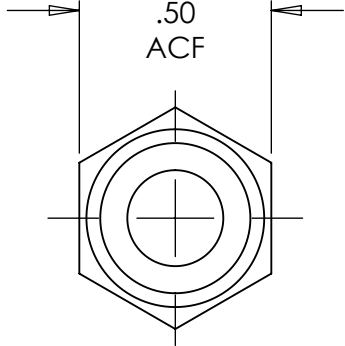
E

F

REVISIONS

REV.	DESCRIPTION	DATE	APPROVED
A	INITIAL RELEASE	01/09/2013	

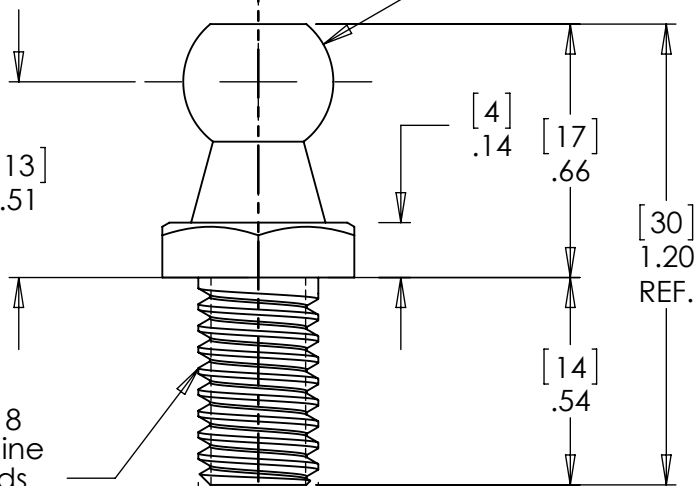
[13]
.50
ACF



A

[10]
Ø .39

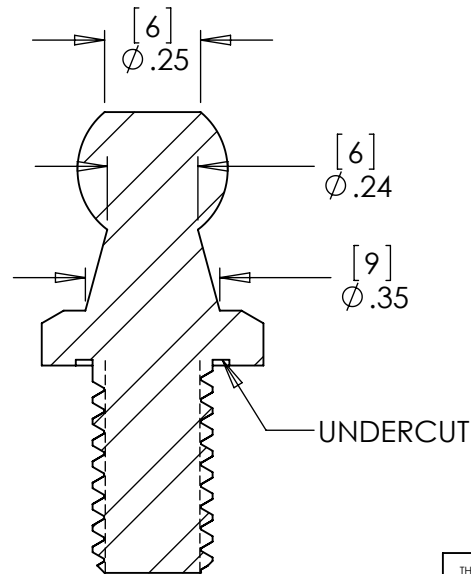
[13]
.51



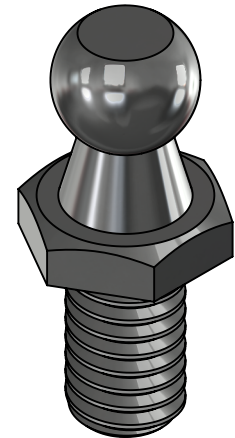
5/16-18
Machine
Threads

A

[8]
Ø .31



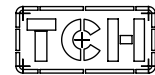
SECTION A-A



NOTES:

- ALL DIMENSIONS ARE IN INCHES [MILLIMETERS]
- MATERIAL: STEEL
- FINISH: BRIGHT ZINC PLATE

THE INFORMATION CONTAINED IN THIS DRAWING IS THE SOLE PROPERTY OF
TRANS CONTINENTAL HARDWARE. ANY REPRODUCTION IN PART OR AS A WHOLE
WITHOUT THE WRITTEN PERMISSION OF TRANS CONTINENTAL HARDWARE IS PROHIBITED.



TRANS CONTINENTAL HARDWARE

PART NAME

10MM BALL STUD 5/16-18x.54

MATERIAL

STEEL

DRAWING NO.

530-10102800

REVISION NO.

DATE 1/9/2013

SCALE 2:1

THIRD ANGLE
PROJECTION DRAWING

ALL DIMENSIONS WITHOUT TOLERANCES ARE REFERENCE

SPECIFICATION SUBJECT TO CHANGE WITHOUT NOTICE

A

A

B

C

D

E

F