

NATURAL SLATE FLOOR WATER FOUNTAIN GSI-281

Read the assembly instructions carefully and follow the care instructions. Save these instructions for future reference.

Select a smooth, level surface to place the fountain.

Assemble components on a soft, clean surface to avoid scratching or damaging the finish.



Inspect packaging to ensure all parts are accounted for before disposing of packing materials.



2-PERSON
ASSEMBLY
RECOMMENDED

No.	PARTS	QTY.
A	Basin	1
B	Electric Submersible Pump	1
C	AC Adapter	1
D	Fountain Body	1
E	Finger Lights	1
F	Lid	1
G	Decorative Stones	1 PK

NOTE: The water tubing is built into the fountain body. Take care when handling the water tube; detaching the water tube from the fountain will damage the fountain and void the product warranty.

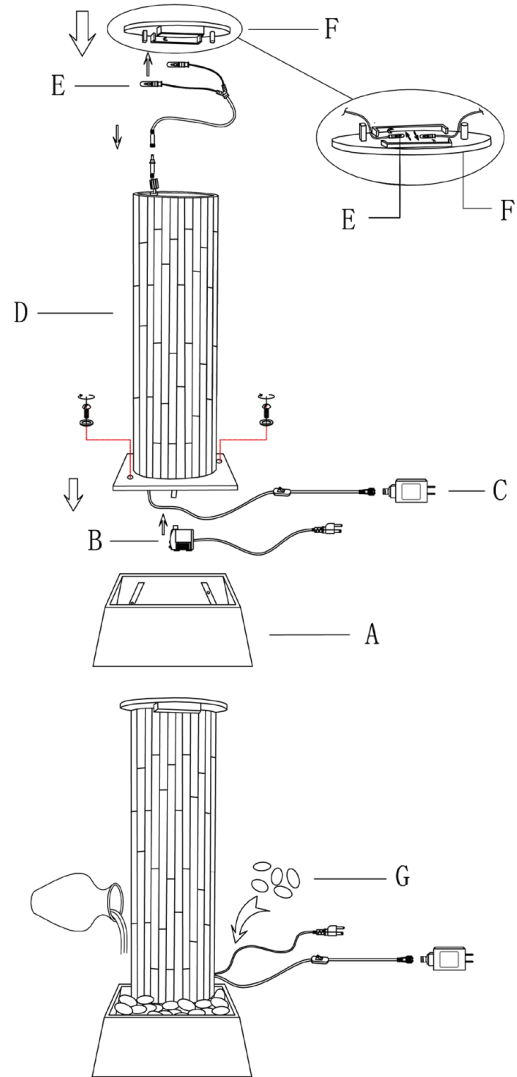
Slate is a natural product; the colors and texture of each piece are unique so no two fountains will look the same. Variations in the slate colors and textures are not a cause for return.

Spalling (flaking) is another natural property of slate. Some spalling is to be expected as each fountain is cut from larger slate slabs.

ASSEMBLY

1. Remove the bolts and washers from the basin.
2. Connect the finger light to the top of the light cable that is pre-installed inside the fountain body.
3. Locate the water tube on the bottom of the fountain body and firmly connect the pump.
4. Gently place the fountain body onto the basin, ensuring the pump and light cables runs out the groove in the back of the basin. Secure the fountain body to the basin with the washers and bolts.
5. Clip the finger lights onto the underside of the lid and gently place the lid onto the fountain body.
6. Rinse the decorative stones with clean water. Gently place the decorative stones on the bottom of the fountain body.
7. Fill the basin with enough water to keep the pump fully submerged during operation; approximately 3 gallons.
8. Plug both power cords into properly grounded GFCI outlets.

Note: When first used, there may be air in the pump. It may take several moments for trapped air to escape, allowing water to flow.



⚠ IMPORTANT INFORMATION ⚠

- The lighting feature of this fountain is optional. To turn the light off, turn the switch off or unplug the 2-prong power cord.
- Check the water level frequently to ensure the pump remains fully submerged; never allow the pump to run dry as it will burn out the motor.
- Only use water in this fountain. Distilled water will help prevent mineral buildup but is not required, avoid heavily chlorinated tap water as it may damage the fountain or pump.
- Periodically change the water to reduce scale and buildup — clean the fountain and pump regularly for optimal performance and appearance.
DO NOT use harmful additives such as bleach, chlorine, etc.
DO NOT use a pressure washer or abrasive materials to wash the fountain.
- Always shut off the power supply before cleaning and maintaining the fountain and the recirculating pump.
- Take care when handling the pump; only pick it up by the body of the pump, never by the power cord.
- During freezing temperatures, drain the fountain, disconnect the pump and store indoors; allowing ice to form may crack the fountain and will damage the pump.

Any modification to the product or failure to follow recommended care will void the product warranty.



TROUBLESHOOTING

- If water is not flowing within several moments of the fountain being plugged in, the pump may have trapped air, preventing water from circulating properly. Simply unplug the power supply for a few moments and plug it back in.
- If water is still not flowing, ensure that the pump is fully submerged and add water to the reservoir if necessary. Check the pump and tubing for obstructions. Ensure the water tube is not kinked.
- Some splashing is normal. Check the flow control on the body of the pump; it may need to be adjusted to achieve the desired flow rate.
- Pump noise may also be a result of the pump resting too close to the side of the basin. Move the pump away from the wall of the basin to avoid noise from pump vibration.
- Pump noise may also be caused by air being trapped inside the pump. While the pump is submerged, gently tap the pump body with your finger to help release the trapped air.
- If the light is not working, ensure the adapter is fully connected and is plugged in. Make sure the light cord is not being crushed by the slate pyramid.
- Check to make sure the power outlet is working; if in doubt about electrical connections, consult a certified electrician.

If you are still experiencing problems, please get in touch with our customer service team through one of the methods mentioned at the top of page 1. To expedite response time, please have the item number and order information available.

⚠ WARNING!

Manufacturer and seller expressly disclaim any and all liability from personal injury, property damage or loss, whether direct or indirect, or incidental, resulting from the incorrect attachment, improper use, inadequate maintenance, or neglect of this product.