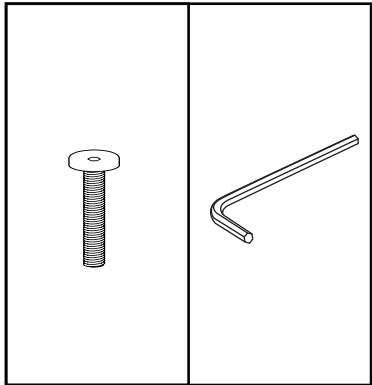
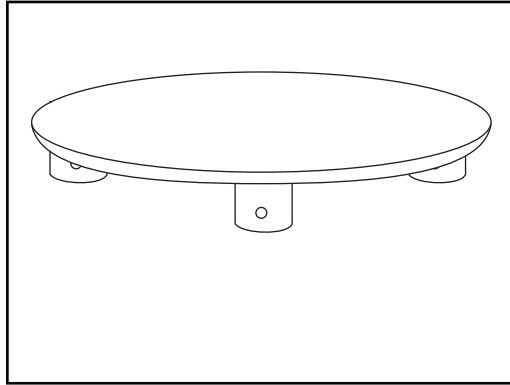


ASSEMBLY INSTRUCTION

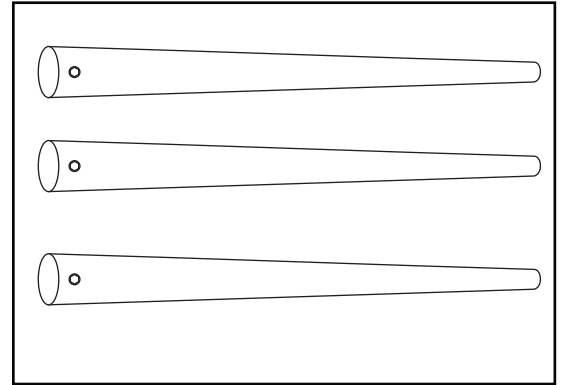
RUMSEN SIDE TABLE



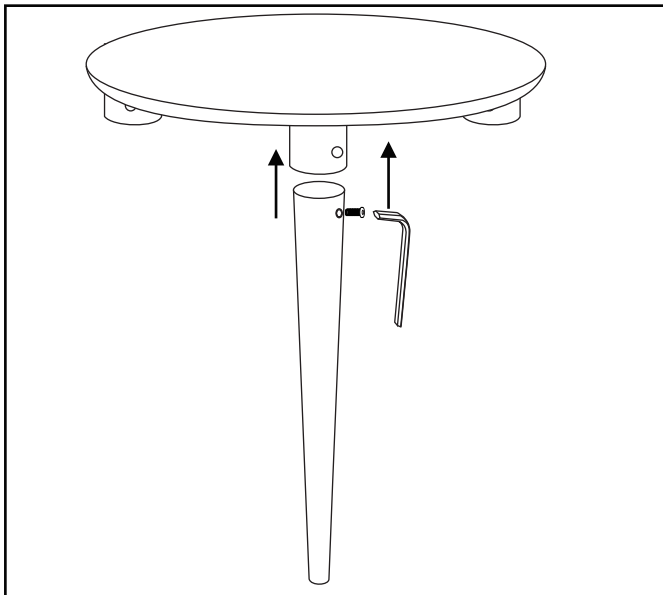
1. 3 PC SCREW
1 PC ALLEN KEY



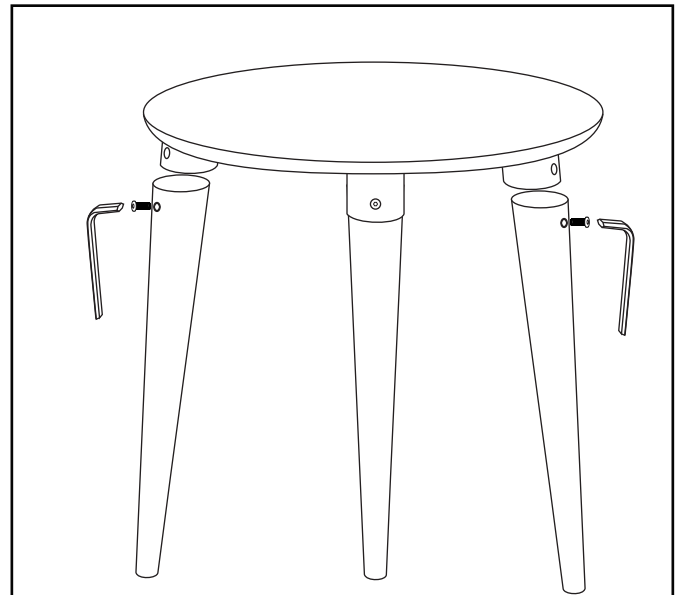
2. 1 PC WOOD TOP



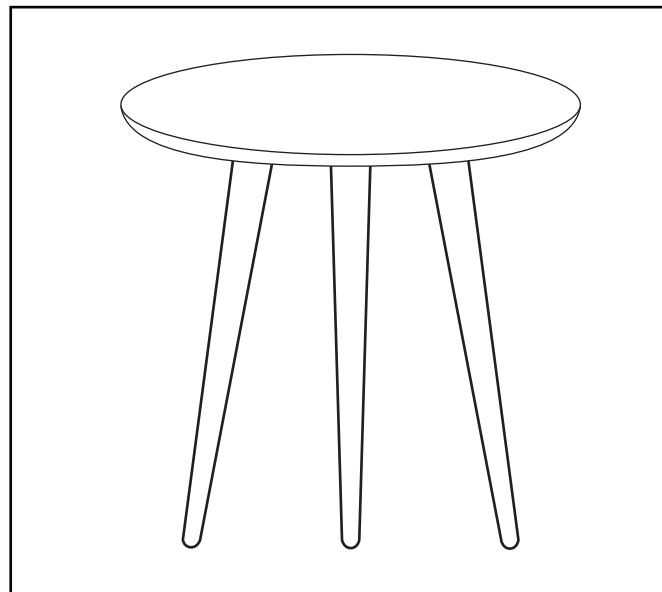
3. 3 PCS WOODEN LEGS



STEP-1



STEP-2



ASSEMBLED