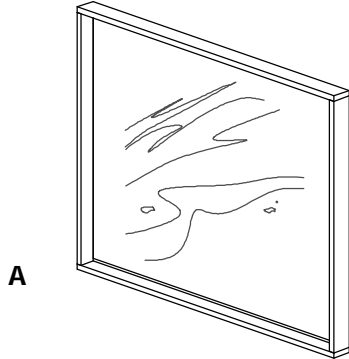


# OCEAN DRESSER MIRROR ASSEMBLY INSTRUCTIONS

## PARTS AND FITTING PACKAGING DETAIL

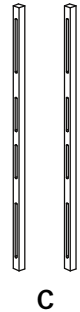
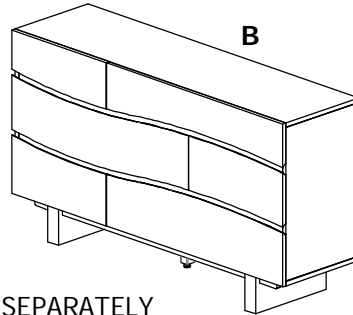
### BOX DRESSER MIRROR

A. DRESSER MIRROR 1 PC



### BOX DRESSER \*

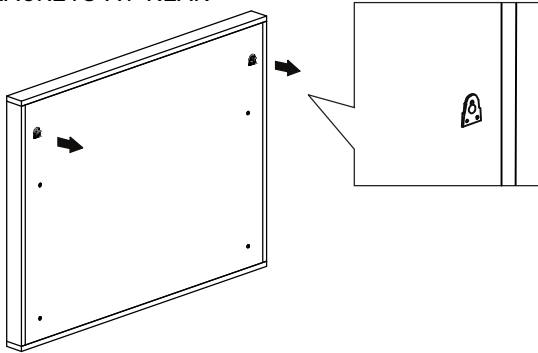
B. DRESSER 1 PC  
C. DRESSER MIRROR SUPPORT  
HARDWARE POUCH\*\* 2 PCS



\*SOLD SEPARATELY

### OPTION 1 WALL MOUNTING

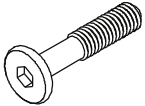

FIX DRESSER MIRROR TO WALL  
USING KEYHOLE  
BRACKETS AT REAR



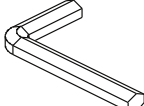
## ⚠️ WARNING

FOR YOUR SAFETY AND CONVENIENCE  
ASSEMBLY BY TWO PEOPLE IS RECOMMENDED

### HARDWARE\*\* POUCH PACKED IN BOX DRESSER

1	ALLEN BOLTS 40MM	8 PCS	2	WASHER	8 PCS
					

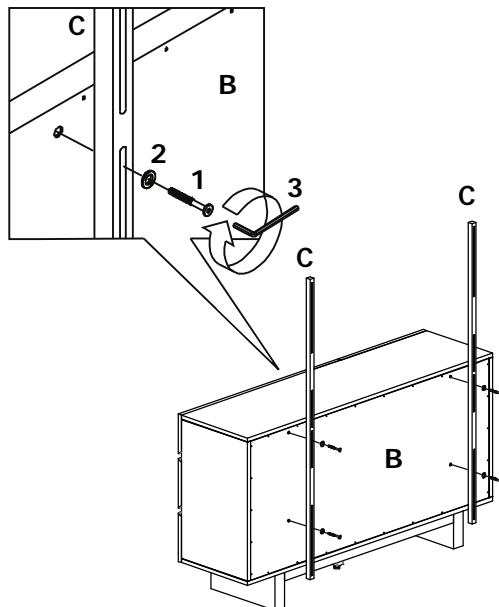
### TOOL REQUIRED:

3	ALLEN KEY	1 PC
		

### OPTION 2 DRESSER MOUNTING

#### STEP 1 :

FIX DRESSER MIRROR SUPPORTS (C) TO  
DRESSER (B) USING ALLEN BOLTS (1) AND  
WASHERS (2). TIGHTEN BOLTS WITH  
ALLEN KEY (3). DO NOT TIGHTEN BOLTS  
COMPLETELY UNTIL YOU HAVE COMPLETED  
STEP 2.



#### STEP 2 :

FIX DRESSER MIRROR (A) TO DRESSER  
MIRROR SUPPORTS (C) WITH ALLEN  
BOLTS (1) AND WASHERS (2). TIGHTEN  
ALL BOLTS WITH ALLEN KEY (3).

