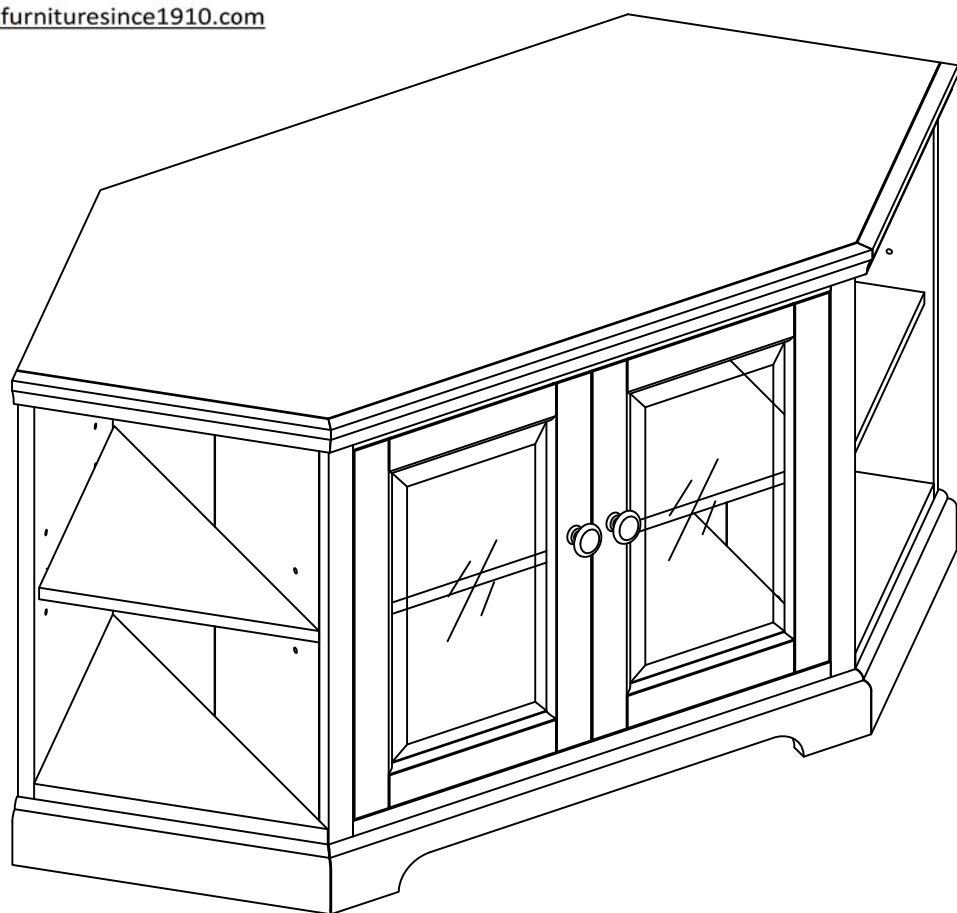


ITEM# 87287



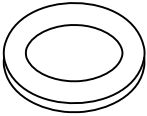
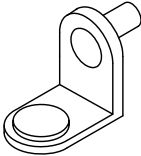
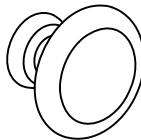

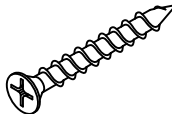
Corner TV Cart With Corner Open Display

Leick
Home
SINCE 1910

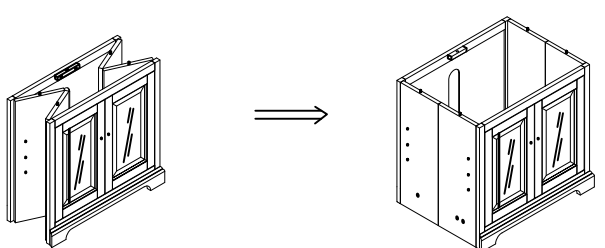
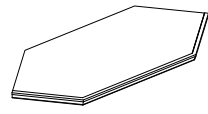
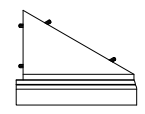
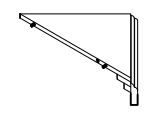
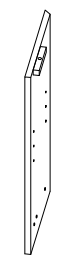
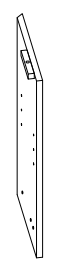
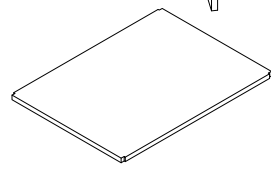
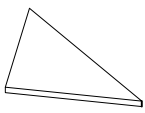
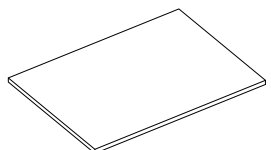
2219 S. 19th St.
Sheboygan, WI 53081
Ph: 920-451-4060
Fax: 920-451-4063
info@leickfurnituresince1910.com



Hardware List

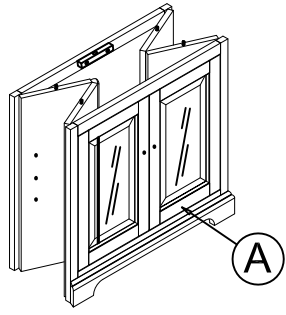
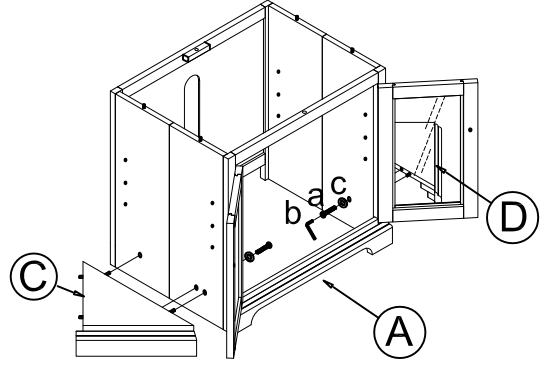
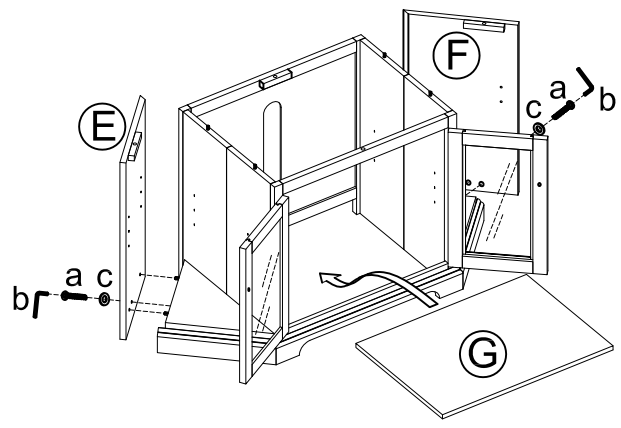
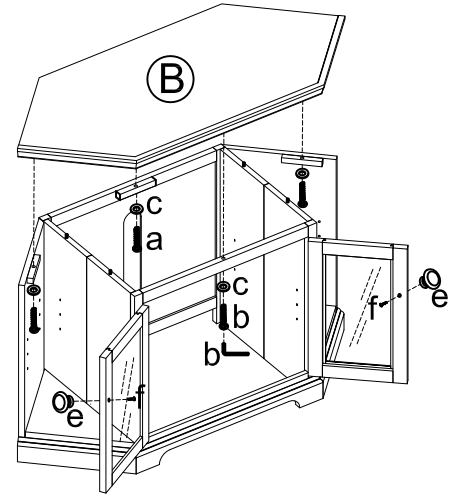
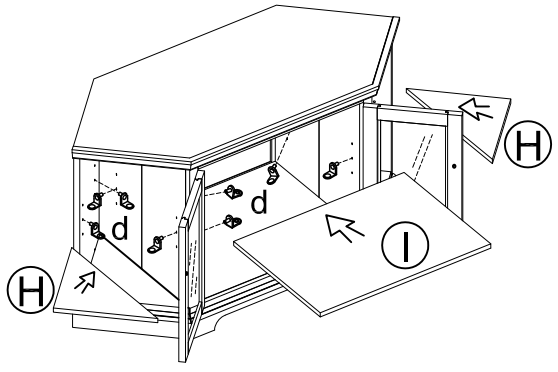
	Item	Description	Qty
a		Bolt 1/4"*1-1/8"	8PCS
b		Allen wrench	1PC
c		Washer 1/4"*12mm	8PCS
d		Shelf metal clip	12PCS
e		Door Pull	2PCS
f		Machine screw for door pull 5/32"*7/8"	2PCS
g		Wood screw 8#*1"	2PCS

Parts List

Item	Description	Qty
A	 Cabinet	1PC
B	 Top Panel	1PC
C	 Left Side Bottom Panel	1PC
D	 Right Side Bottom Panel	1PC
E	 Left Side Back Panel	1PC
F	 Right Side Back Panel	1PC
G	 Middle Bottom Panel	1PC
H	 Side Adjustable Shelf	2PCS
I	 Middle Adjustable Shelf	1PC

Assembly Instructions

Two person assembly recommended.

<p>step 1 Unfold Cabinet.</p> 	<p>step 2 Insert the side bottom panels and fasten with bolts.</p> 
<p>step 3 Insert the side back panels and fasten with bolts. Insert the middle bottom panel.</p> 	<p>step 4 Bolt on top with 4 bolts. DO NOT OVER TIGHTEN. Install the door pulls.</p> 
<p>step 5 Install shelf clips and insert shelves.</p> 	<p>step 6 Fasten two side back panels with two screws into the cabinet.</p> 