

AXOR Showers/Front
Wallbar Set 36" with Handshower 85 1-Jet, 2.5 GPM
 Finishes : **chrome** Part no. : **26023000**



Description

Features

- Consists of: Handshower, Wallbar, Handshower hose, Slider
- Spray modes: Rain
- Pivot connector prevents hose from tangling
- Flow: 2.5 GPM (9.5 L/Min)

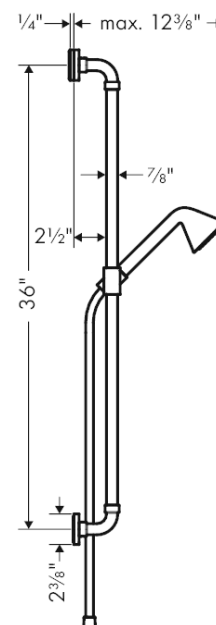
Technology



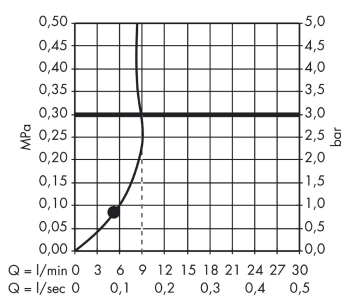
Product image



Scale drawing



Flowchart

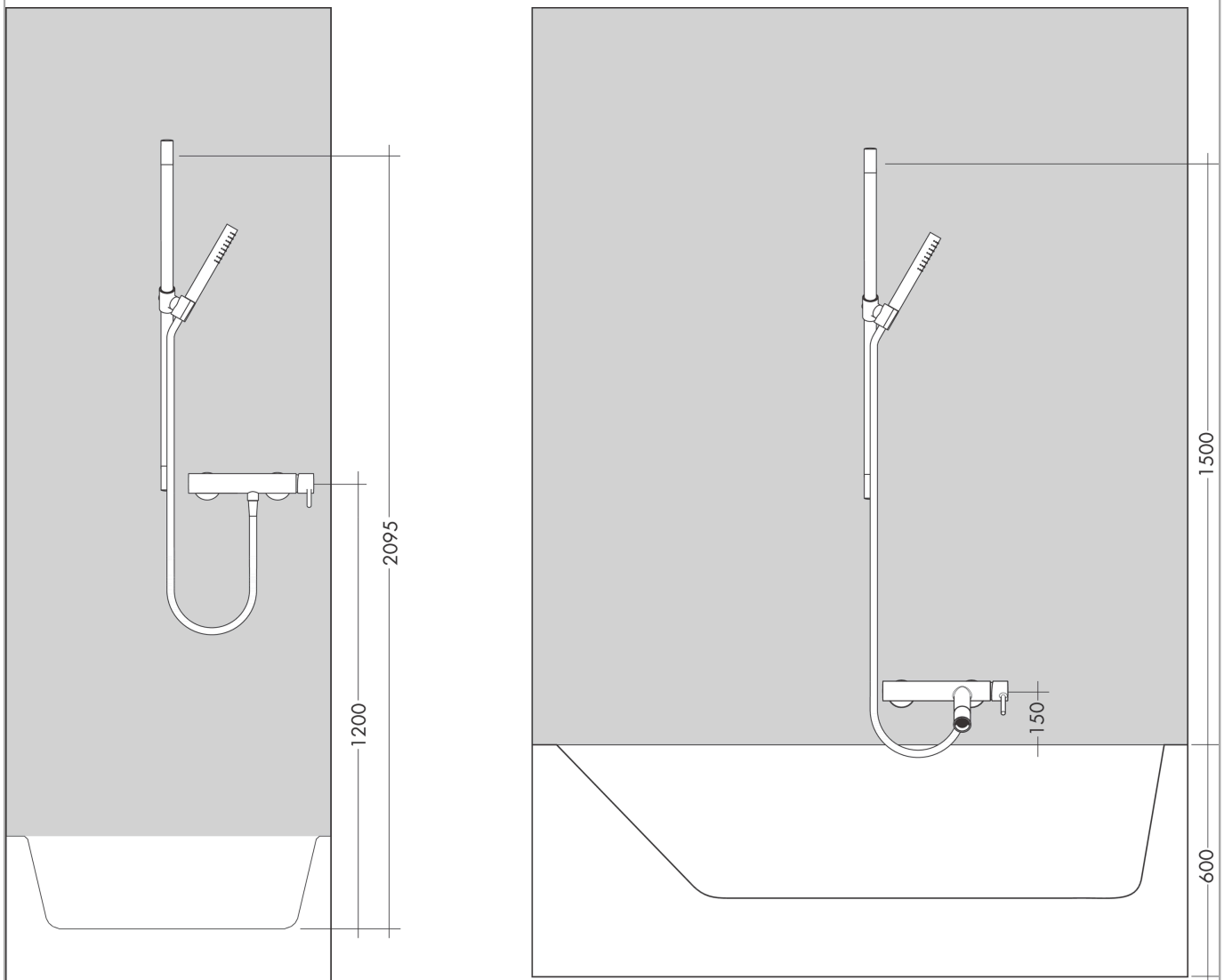


The consumption was measured in combination with the appropriate fittings (thermostat/mixer/ in-wall valve) to reflect actual application in practice.

AXOR Showers/Front
Wallbar Set 36" with Handshower 85 1-Jet, 2.5 GPM
Finishes : **chrome** Part no. : **26023000**



Installation example

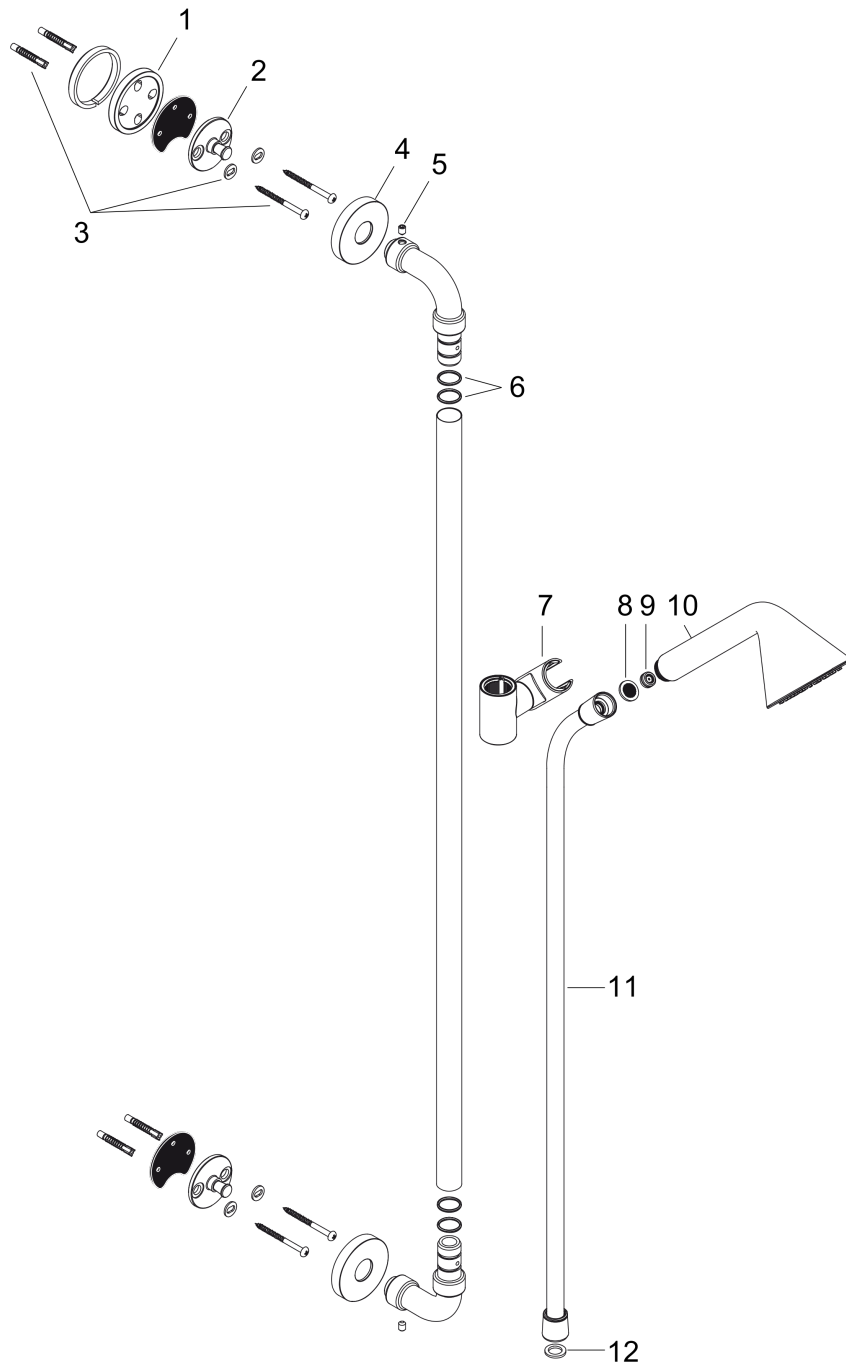


AXOR Showers/Front
Wallbar Set 36" with Handshower 85 1-Jet, 2.5 GPM
Finishes : **chrome** Part no. : **26023000**



Exploded drawing

Year of production: >02/13



AXOR Showers/Front
Wallbar Set 36" with Handshower 85 1-Jet, 2.5 GPM
 Finishes : **chrome** Part no. : **26023000**



Spare parts list

Year of production: >02/13

Pos.	Description	Part no.	PC	PU
1	tile-matching-disk	95239000	0	1
2	wall flange	96768000	0	1
3	mounting set	96179000	0	1
4	escutcheon Ø 60 mm	96767000	0	1
5	hollow set screw M6x8	97810000	0	1
6	O-ring 17x2	98199000	0	1
7	support, assy	98714000	0	1
8	filter packing	94246000	0	1
9	flow limiter (9 l/min)	95659000	0	1
10	handshower	26025000	0	1
11	shower hose Isiflex'B 1,60 m	28276000	0	1
12	seal	98058000	0	1