

**Metropol**  
**Single-Hole Faucet 110 with Loop Handle and Pop-Up Drain, 1.2 GPM**  
 Finishes : **brushed nickel** Part no. : **74506821**



**Description**

**Features**

- Aerated spray
- Flow: 1.2 GPM (4.5 L/Min)
- Ceramic cartridge
- Includes pop-up drain

**Item details**

List Price \$ 523.00

**Technology**



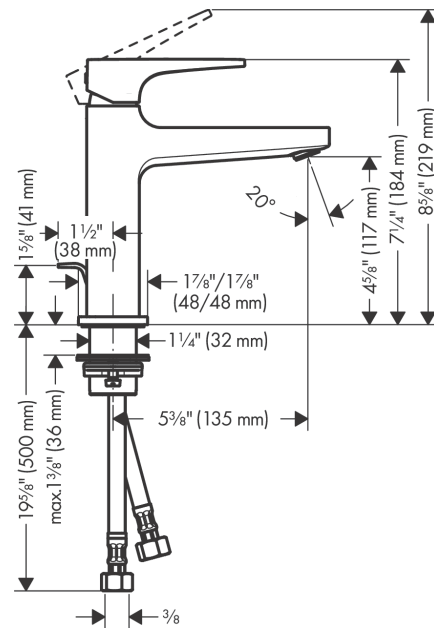
**Compliance**



**Product image**



**Scale drawing**

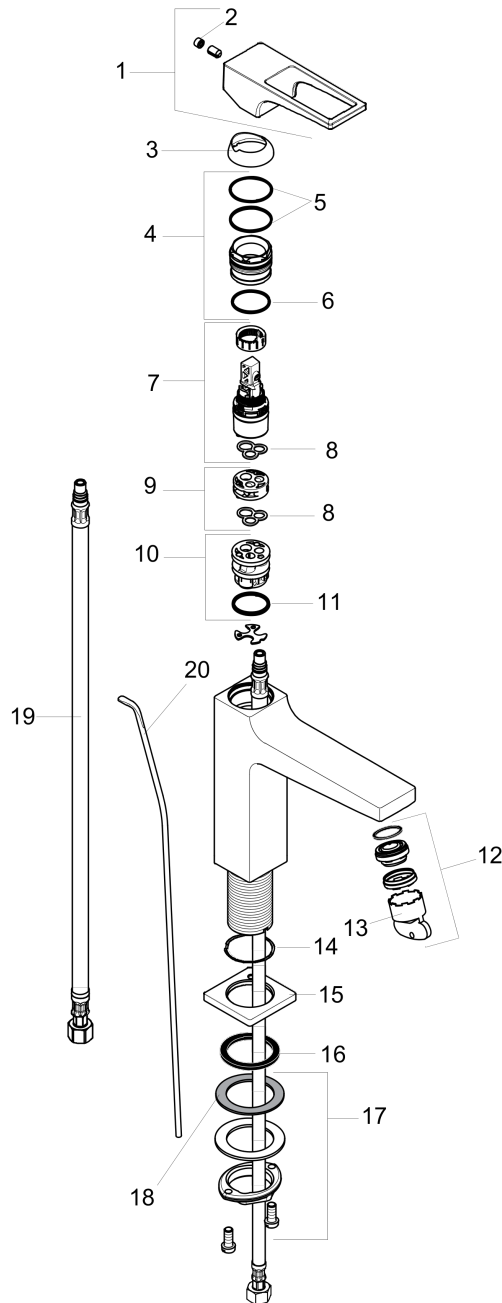


**Metropol**  
**Single-Hole Faucet 110 with Loop Handle and Pop-Up Drain, 1.2 GPM**  
 Finishes : **brushed nickel** Part no. : **74506821**



Exploded drawing

Year of production: >10/17



**Metropol**  
**Single-Hole Faucet 110 with Loop Handle and Pop-Up Drain, 1.2 GPM**  
 Finishes : **brushed nickel** Part no. : **74506821**



## Spare parts list

Year of production: >10/17

Pos.	Description	Part no.	Price	PU
1	handle	93009820	-	1
2	screw cover	95704000	-	1
3	flange	92625820	-	1
4	nut	92689000	-	1
5	O-ring 27x1,5	92527000	-	1
6	O-ring 25x1,5	98146000	-	1
7	cartridge, assy	95973001	-	1
8	seal	98865000	-	1
9	adapter for cartridge	92628000	-	1
10	adapter for cartridge	98866000	-	1
11	O-ring 23x2	98398000	-	1
12	aerator M22x1	93098000	-	1
13	service tool	95661000	-	1
14	O-ring 32x1,5	92936000	-	1
15	escutcheon	93048000	-	1
16	flat seal	98749000	-	1
17	fixing set (Ø 32)	13961000	-	1
18	lever collar	97548000	-	1
19	connection hose 23½" M8x0,75 3/8"	98600001	-	1
20	pull rod	96657820	-	1
a	pop up waste	88509820	-	1