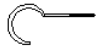
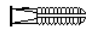


# ASSEMBLY INSTRUCTION

Item#: 638-50033 Encircle Floor Mirror

\*\*\* Caution: Please read below instruction carefully before starting the assembly process.

NO		Hardware List	Q'ty
B		Hook	2
C		Plastic Anchor	2

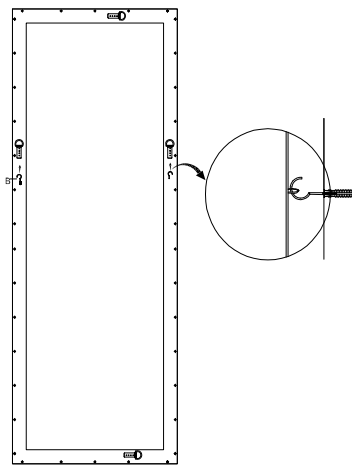
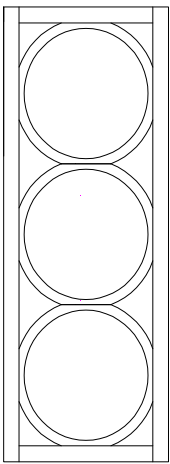


Diagram 1

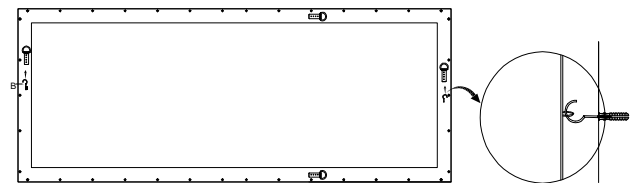


Diagram 2

## Assembly Steps:

1. Drill two holes into the wall using 1/4" drill bit at the desired place you want to set the mirror and insert Plastic Anchors (C).
2. Screw Hook (B) into the Plastic Anchor (C). Check and make sure the Plastic Anchor (C) is securely held in the wall.
3. Hang the metal rings on to the Hooks (B) and set the mirror in the angle you want.

Please note there are two ways to hang this mirror as the diagram 1 and diagram 2 show.

**Above hardware is packed in the plastic bag with the instruction sheet.**

*Cleaning Instruction: Clean finished parts with a mild dishwashing liquid and water solution on a damp cloth. Polish the finish with soft cloth and an industry recognized furniture polish.*