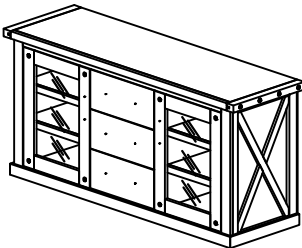
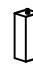

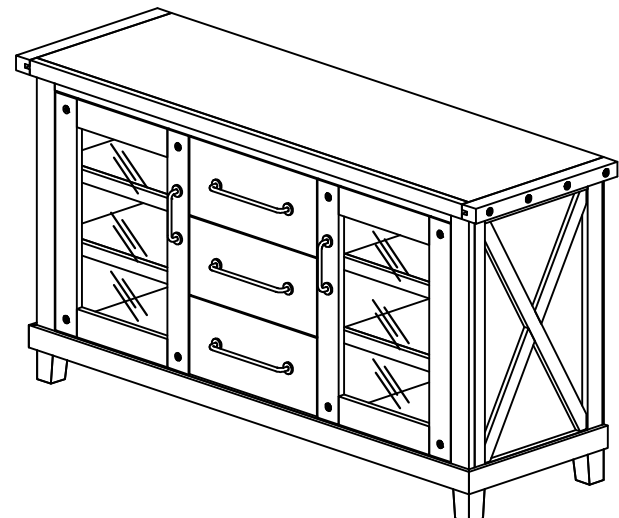






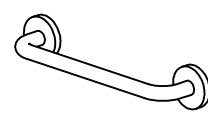



# YOSEMITE SIDEBOARD ASSEMBLY INSTRUCTIONS



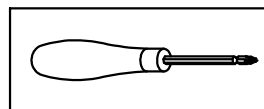
<p>A. SIDEBOARD 1PC</p> 	<p>C. SUPPORT LEG 1PC</p> 
<p>B. LEGS 1PC</p> 	<p><b>SIDEBOARD ASSEMBLED</b></p> 
<p>B. LEGS 1PC</p> 	
<p>B. LEGS 1PC</p> 	
<p>B. LEGS 1PC</p> 	

**HARDWARE ARE PACKED IN BOX**

<b>1</b>	ALLEN BOLT M6 x 50 MM	04 PCS	<b>2</b>	WASHER M6	04 PCS	<b>3</b>	ALLEN KEY (4MM)	01 PC	<b>4</b>	HANDLE	02 PCS	<b>5</b>	BOLT (M4 x 25 MM)	04 PCS
														

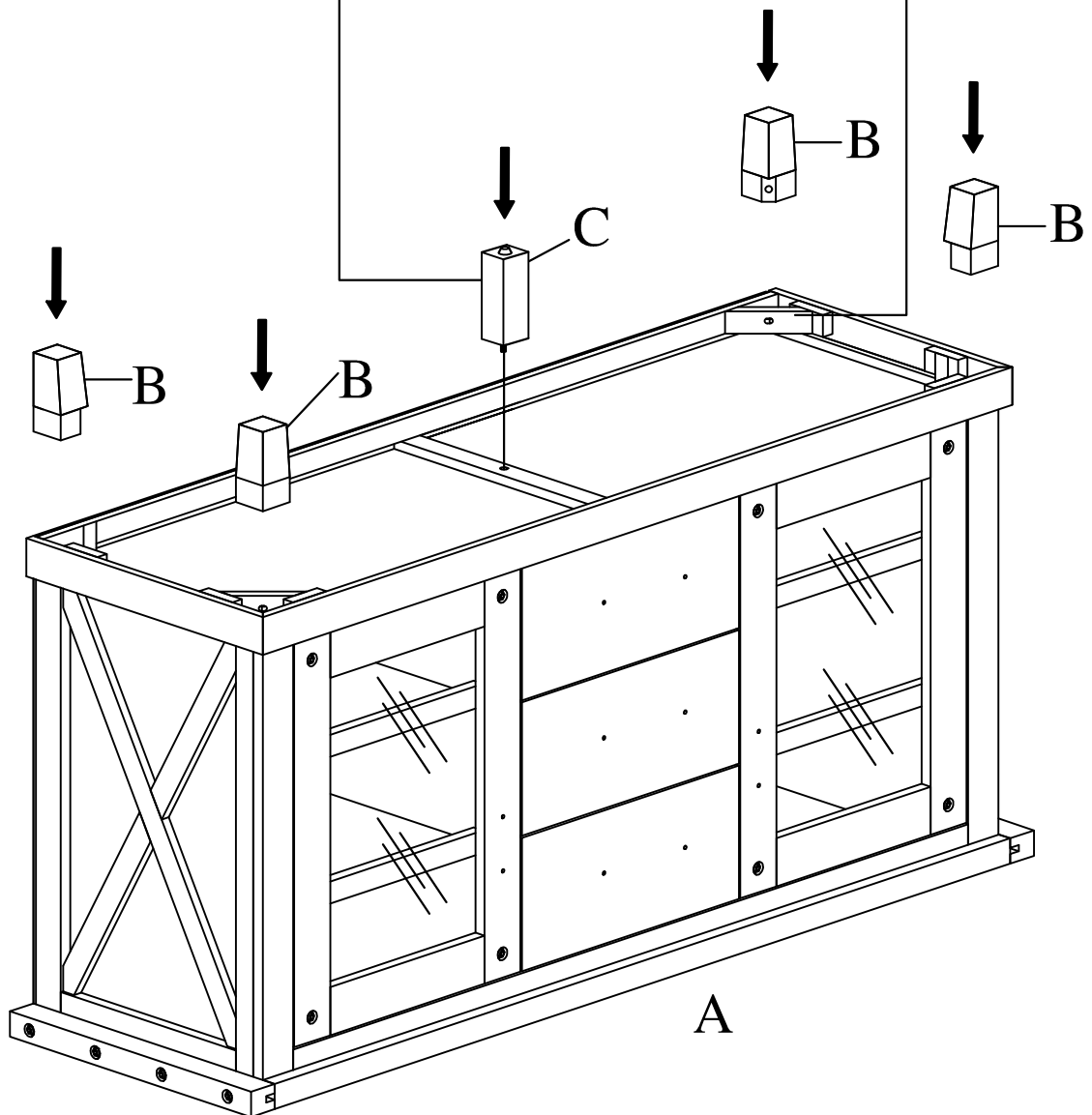
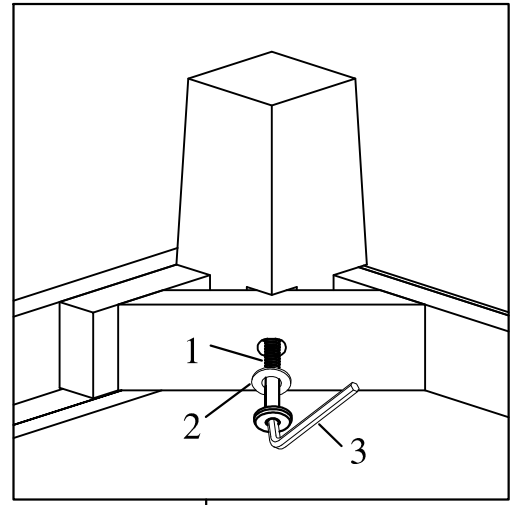
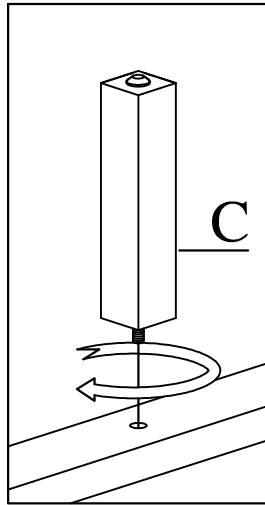
**TOOL REQUIRED**

PHILLS HEAD SCREW  
DRIVER NOT PROVIDED



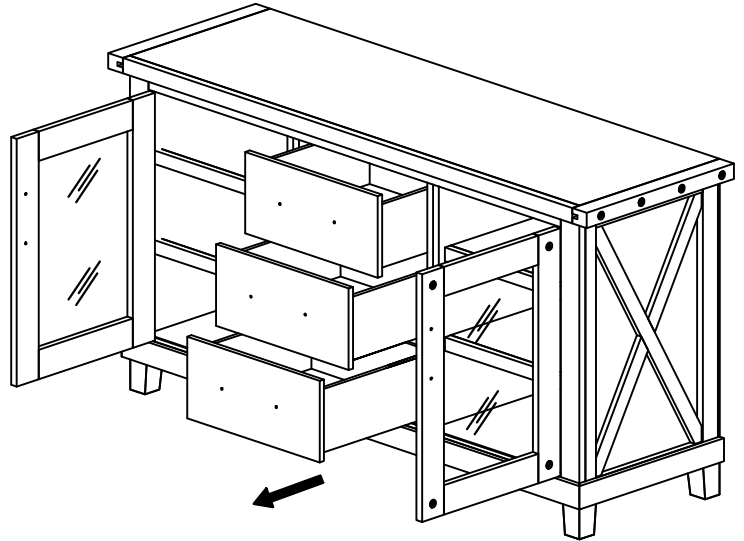
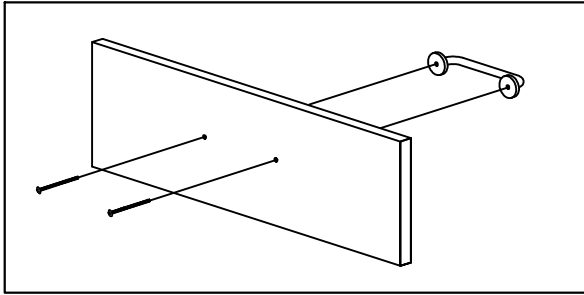
**STEP 1:**

**FASTEN THE LEG (B) TO THE DRESSER (A), WITH BOLTS (1) AND WASHERS (2).**



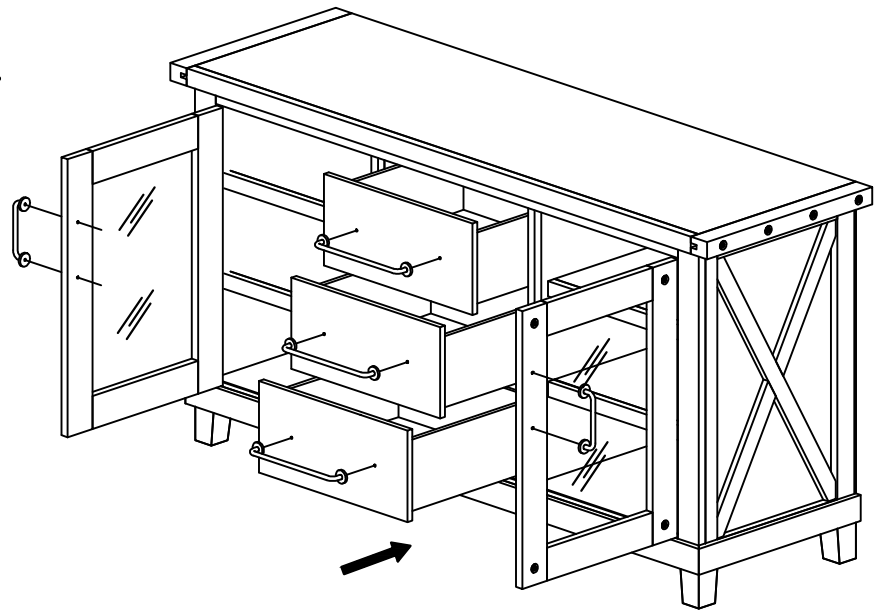
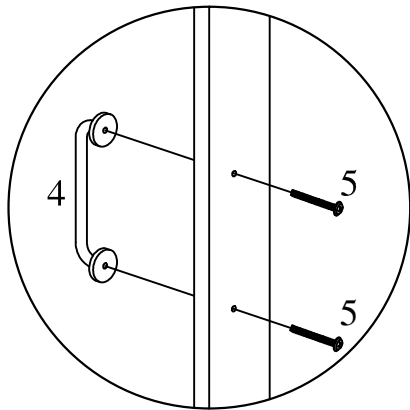
**STEP 2:**

**PULL OUT AND REMOVE HANDLE.**



**STEP 3:**

**ASSEMBLE HANDLE.**



**STEP 4:**

**ASSEMBLY COMPLETE.**

