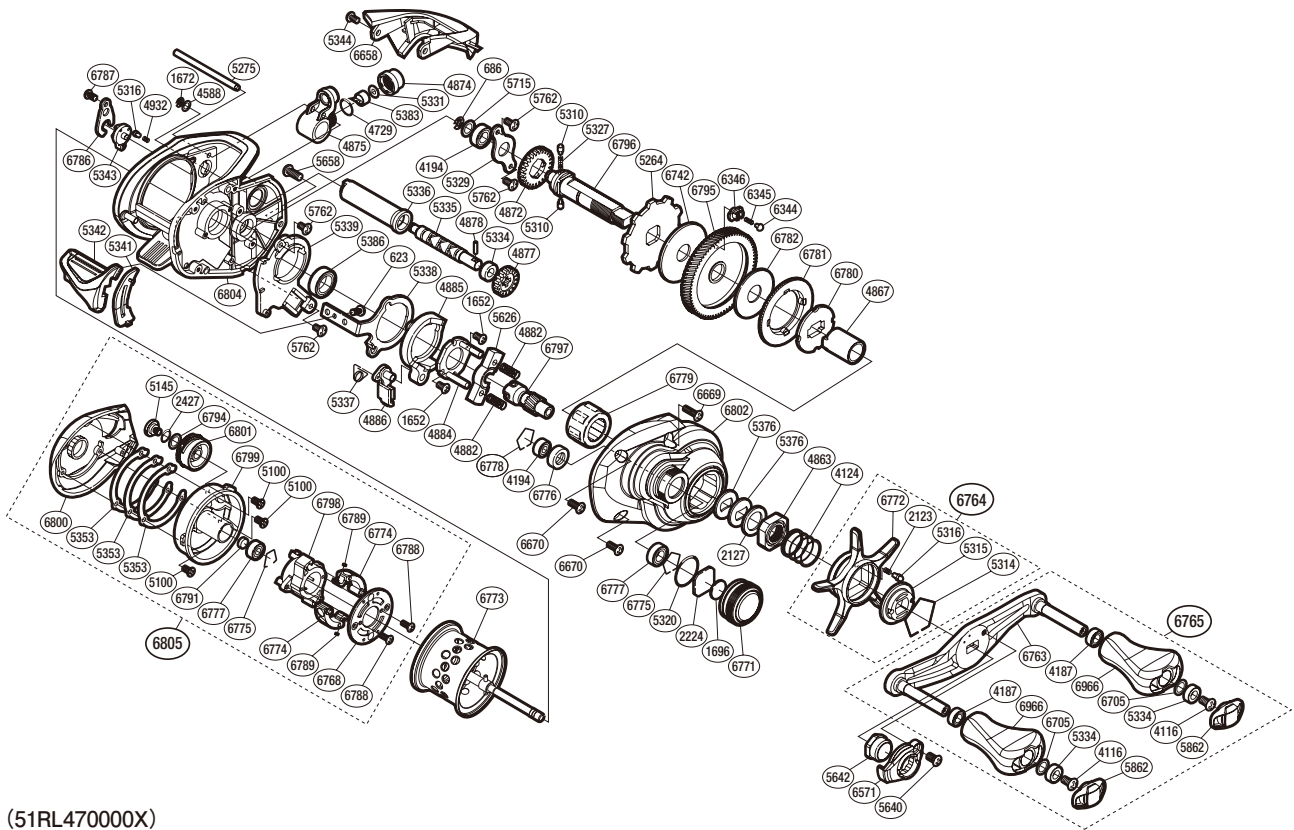


# SHIMANO

## CURADO

## CUBFSXGR



(51RL47000X)

#	Part No.	Description	#	Part No.	Description	#	Part No.	Description
623	103C0	Screw	5320	10R22	O Ring	6764	10DG8	Star Drag Assembly
686	105NK	E Lock	5327	10JDY	Idle Gear Spring	6765	10QUJ	Handle Assembly
1652	10LVE	Screw	5329	109T1	Drive Shaft Retainer	6768	10S4K	Brake Set Plate
1672	105NC	E Lock	5331	104TX	Spacer	6771	10S4C	Cast Control Cap
1696	10896	Cast Control Spacer (B)	5334	10PXZ	Bushing	6772	10S4D	Star Drag
2123	10BT2	Click Spring	5335	10TPP	Worm Shaft	6773	10DGA	Spool Assembly
2127	10J1N	Star Drag Spacer	5336	10R10	Level Wind Guard	6774	10DPG	Magnet Holder Assembly
2224	1085F	Cast Control Spacer (A)	5337	10R1H	Clutch Pawl Spring	6775	101V5	Bearing Retainer A
2427	108WS	O Ring	5338	10QZV	Clutch Plate	6776	101V3	Bearing Spacer
4116	103E9	Screw	5339	10R09	Clutch Guard	6777	10KDE	Ball Bearing
4124	10A70	Star Drag Spring	5341	10QZW	Clutch Bar Guide B	6778	101V6	Bearing Retainer B
4187	104VX	Ball Bearing	5342	10R1J	Clutch Button	6779	10F5D	Roller Clutch Bearing
4194	105BP	Ball Bearing	5343	1019B	B Side Plate Cam Lever	6780	10DQL	Key Washer
4588	10FJZ	Washer	5344	10MPD	Screw	6781	10JB0	Drag Click Ratchet
4729	108WQ	O Ring	5353	10R0U	Washer	6782	10DQJ	Drag Washer A
4863	10A3T	Star Drag Nut	5376	109F5	Washer	6786	10RYX	Cam Lever Retainer
4867	10CCN	Roller Clutch Inner Tube	5383	10BHQ	Line Guide Pawl	6787	1055H	Screw
4872	10J47	Idle Gear A	5386	10EX6	Ball Bearing	6788	10TNZ	Screw
4874	10FJB	Pawl Cap	5626	10TMB	Yoke	6789	10TM9	Brake Spring
4875	10NVQ	Line Guide Assembly	5640	101VV	Screw	6791	1085H	Spacer
4877	10FNV	Idle Gear C	5642	10SSU	Handle Nut	6794	10DGC	Washer
4878	10AEZ	Worm Shaft Pin	5658	10LFL	Screw	6795	101KM	Drive Gear
4882	10487	Yoke Spring	5715	10G6D	Washer	6796	10DQG	Drive Shaft
4884	10F3X	Clutch Cam Retainer	5762	10S57	Screw	6797	1026T	Pinion Gear
4885	10K0N	Clutch Cam	5862	10TNJ	Handle Knob Seal	6798	101CJ	Brake Holder
4886	10MME	Clutch Pawl Assembly	6344	10C0T	Drag Click	6799	101V4	Dial Case
4932	10GQZ	Click Spring	6345	10J8A	Click Spring	6800	1004N	Left Side Plate
5100	1055J	Screw	6346	10J87	Drag Click Pin Holder	6801	10199	Brake Dial
5145	10A6K	Screw	6571	1017T	Handle Nut Plate	6802	102A3	Right Side Plate Assembly
5264	10D73	Anti-Reverse Ratchet	6658	100KV	Level Wind Protector	6804	1028G	Frame Assembly
5275	10QSH	Stabilizer Bar	6669	10LCW	Screw	6805	10QUM	Left Side Plate Assembly
5310	10HJG	Idle Gear Pin	6670	10MPV	Screw	6966	10328	Handle Knob
5314	10KXW	Click Plate Retainer	6705	1020Z	Washer			
5315	10R3K	Star Drag Click Plate	6742	10DQK	Drag Washer B			
5316	10MFC	Click Pin	6763	10DFQ	Handle Shank Assembly			

Please note that the number of adjusting washers may not be the same as shown in the exploded views.  
(Adjustment will vary with each individual product.)

(230828)\_005