

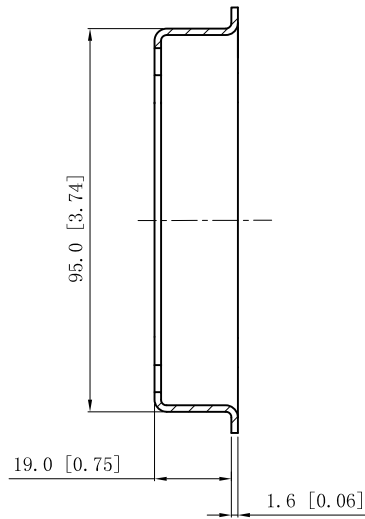
UL File #

E22445

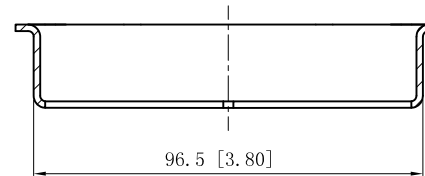
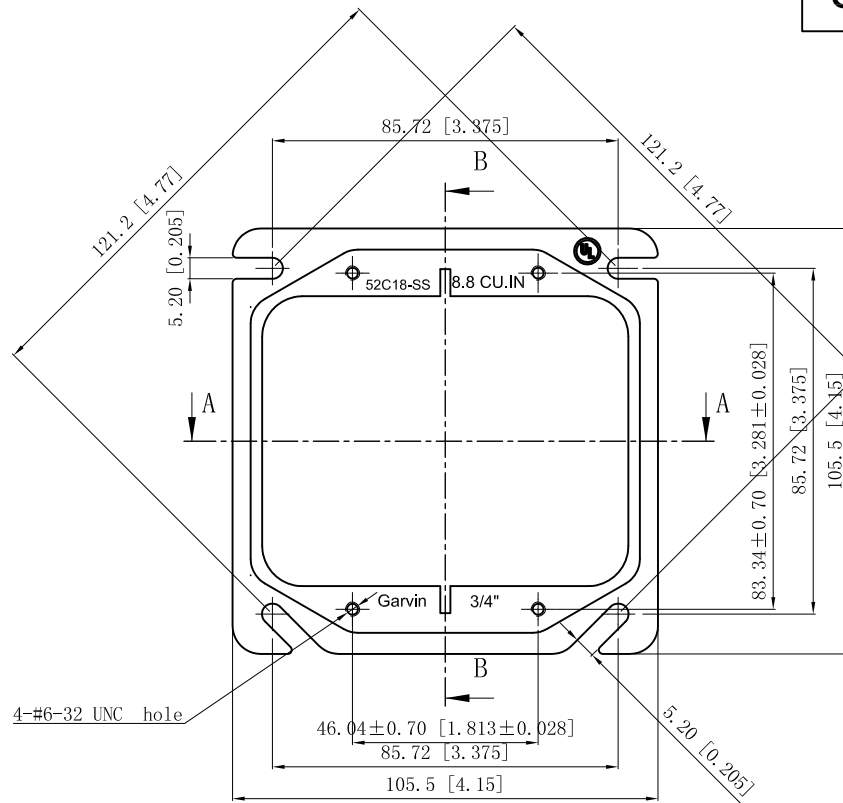
SIDES

BOTTOM

Material: 0.051~0.059- stainless steel 316



CUTAWAY VIEW B-B



CUTAWAY VIEW A-A

This data sheet is for reference only .GARVIN INDUSTRIES reserves the right to make changes to the design without prior notice.

DESCRIPTION
TRADE REFERENCE TERMS

STANDARD PACKING
50 PCS

<h1>GARVIN INDUSTRIES</h1>		
TITLE 4" SQUARE 2-DEVICE COVERS (PLASTER/MUD RINGS)		
SIZE A4	DWG NO. 52C18-SS	REV B
DATA SHEET		
www.garvinindustries.com		