



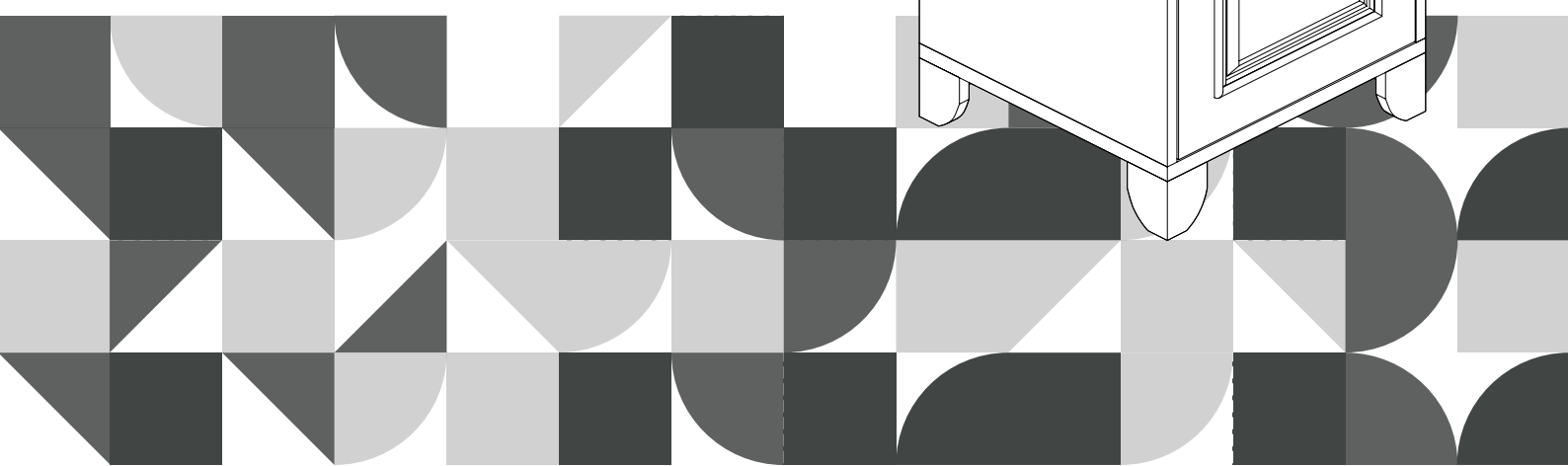
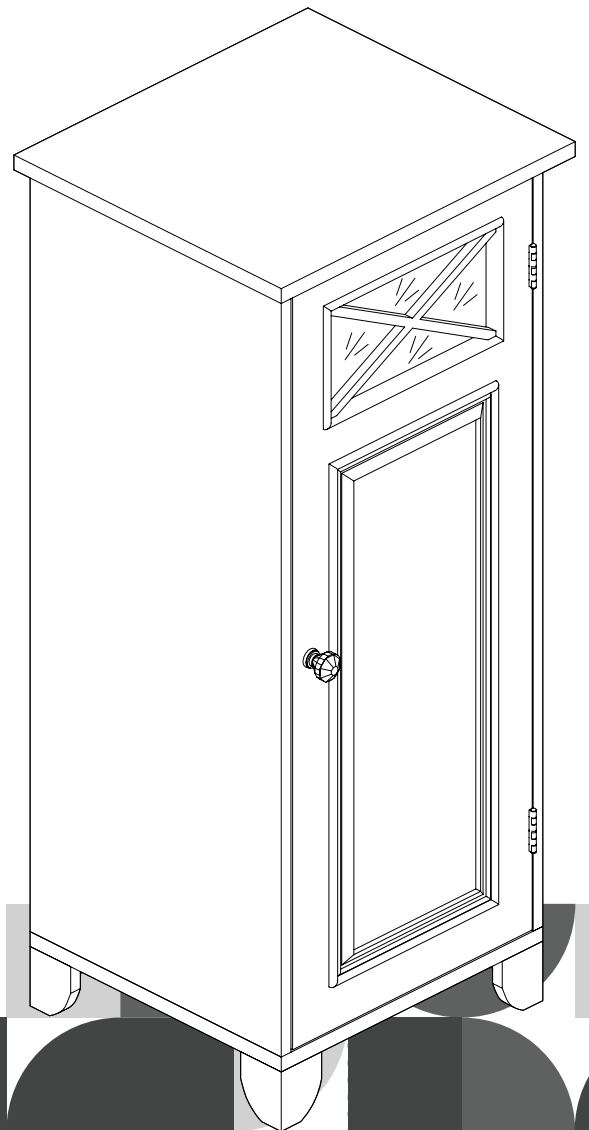
Extended Warranty
Sign Up

E-1

Welcome home!

6834

TEAMSON HOME
Linen Cabinet
Shutter Door





**Questions? Comments? Need help?
Call or email us any time!**

Global Customer Service

USA

+1(800)935-3959

Mon - Fri 10:00am ~ 2:00pm EST
✉ support@teamson.com

EU/UK

+44(0)1952-916-050

Mon - Thu 9:00am ~ 5:00pm GMT
Friday 9:00am ~ 4:00pm GMT
✉ support@teamson.co.uk

ASIA

深圳办公室:

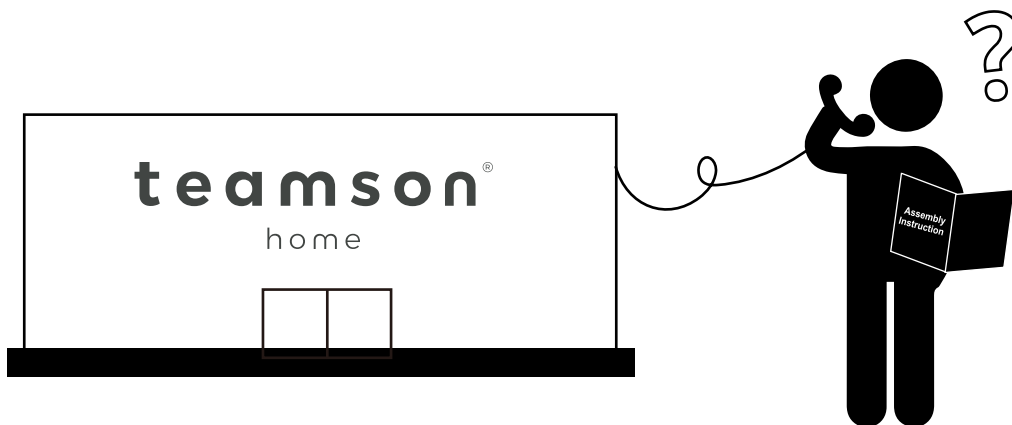
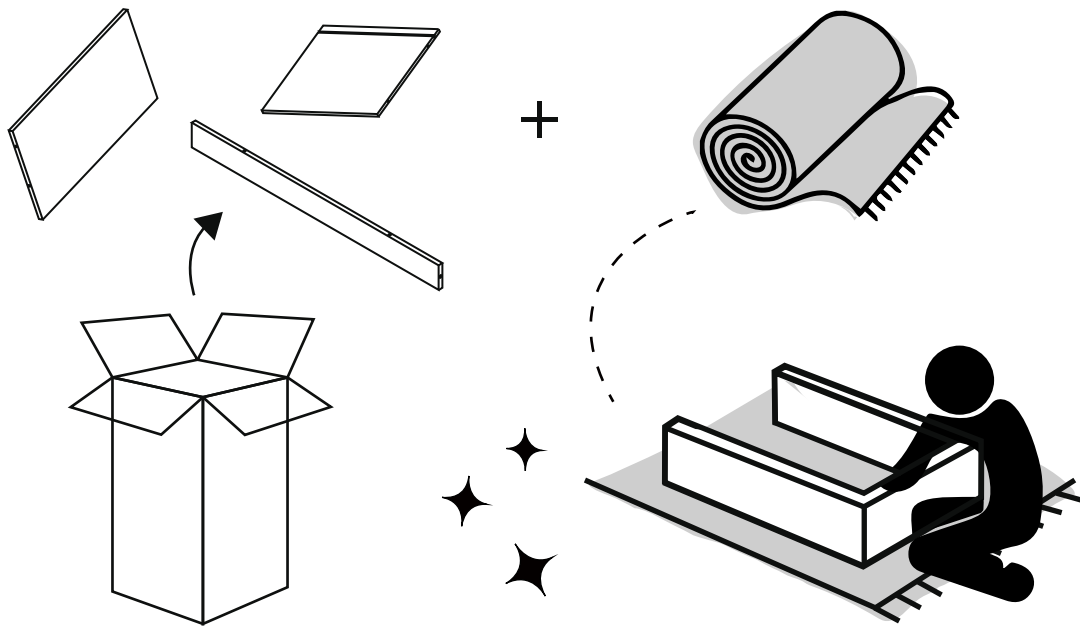
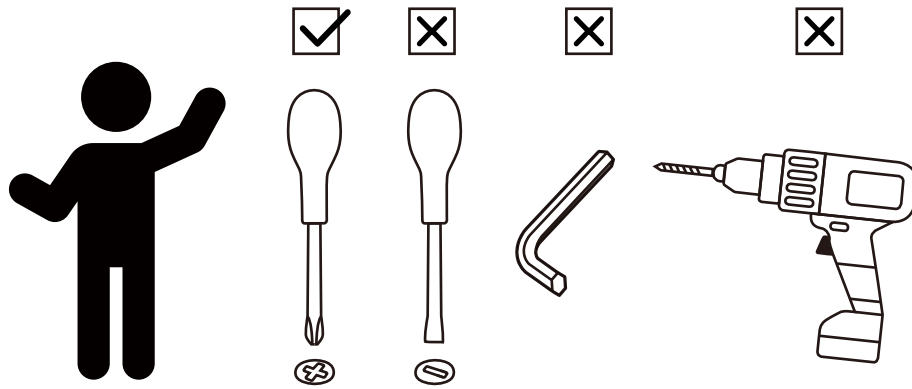
+86(0755)8885-3558.分机号331

Mon - Sat 9:00am ~ 5:00pm GMT+8
✉ sales_ec@teamson.com

台北办公室:

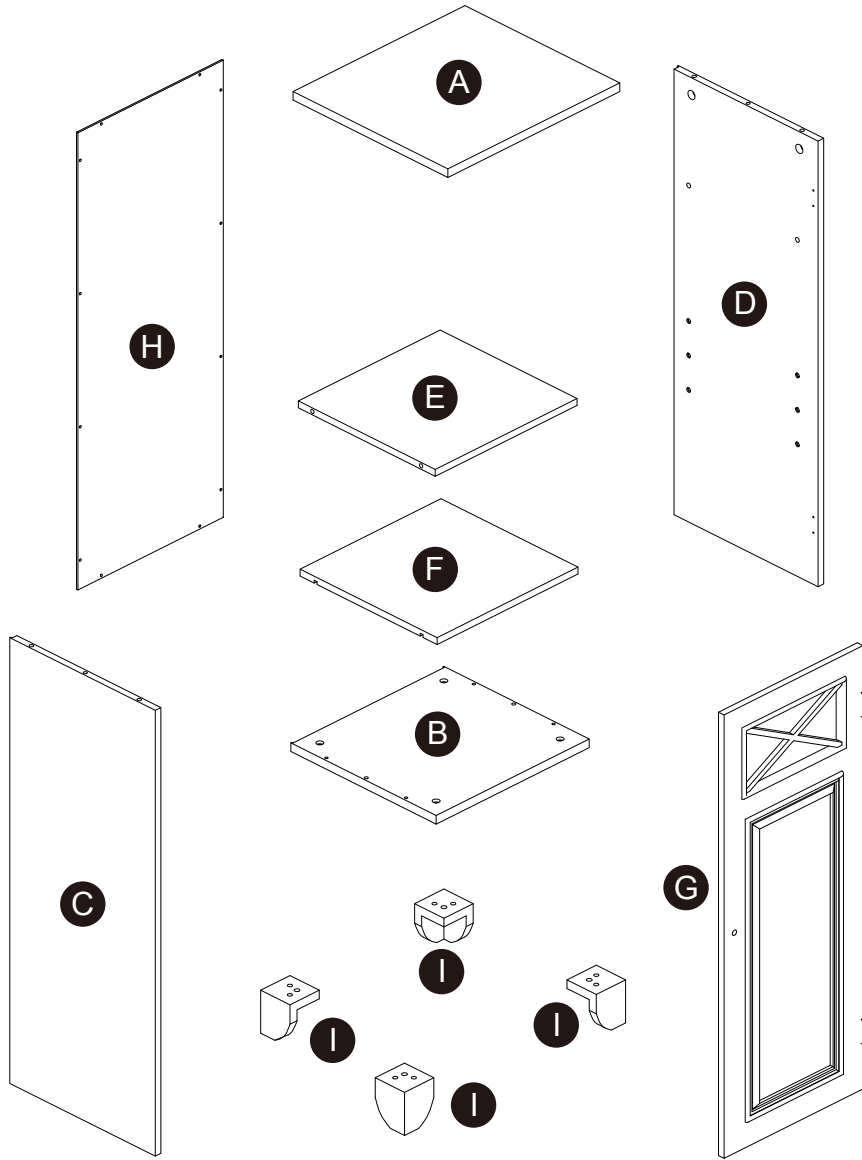
+886(2)2556-6268

Mon - Fri 9:00am ~ 5:00pm GMT+8
✉ sales_ec@teamson.com



** Got questions? Please have your product code (on the first page of this instruction, e.g. TD-12345A) and the order number ready, give us a call or email us through our customer care support! We are always ready to assist you!

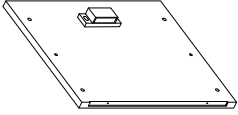
Exploded Drawing



Scan for assembly instructions.

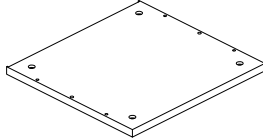
Product Parts

A



1 PC

B



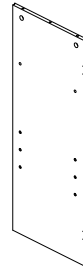
1 PC

C



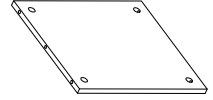
1 PC

D



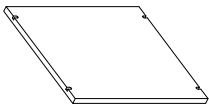
1 PC

E



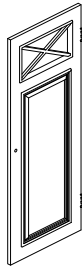
1 PC

F



1 PC

G



1 PC

H



1 PC

I



4 PCS

! Care Instructions

Dust surface with a dry soft cloth. Do not use window cleaners or cleaning abrasives as they will scratch the surface and could damage the protective coating

! WARNING

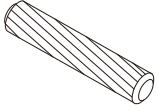
Small parts and sharp edges may be present prior to assembly.



Scan for assembly instructions.

Hardware

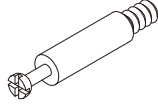
1



Ø8*30mm

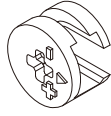
8 PCS

2



8 PCS

3



Ø15*9

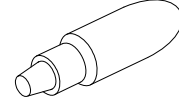
8 PCS

4



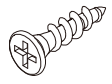
8 PCS

5



1 PC

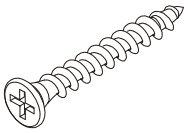
6



Ø3*12mm

4 PCS

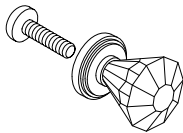
7



Ø4*38mm

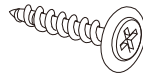
4 PCS

8



1 SET

9



Ø3*12 D=7

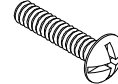
12 PCS

10



4 PCS

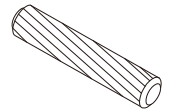
11



Ø1/4" *1"

4 PCS

12



Ø6*30mm

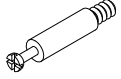
4 PCS



Scan for assembly instructions.

Step 1

2



2 pcs

3

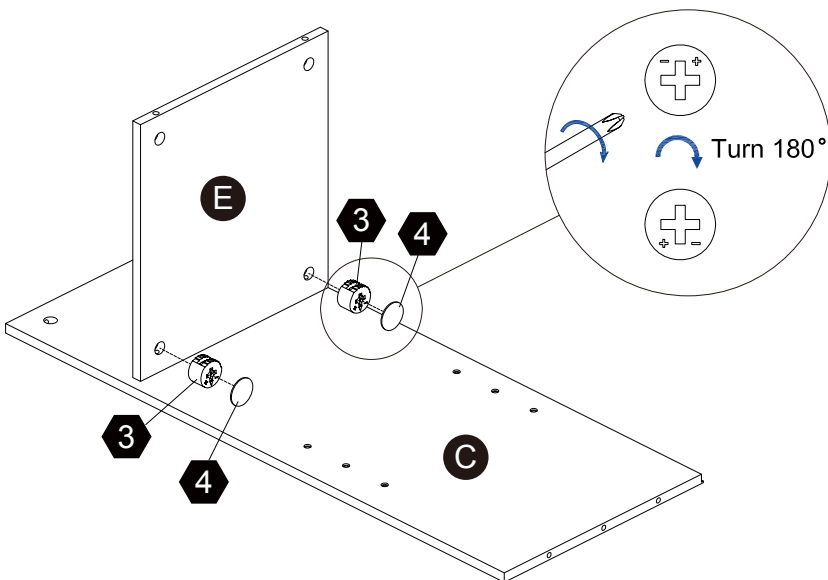
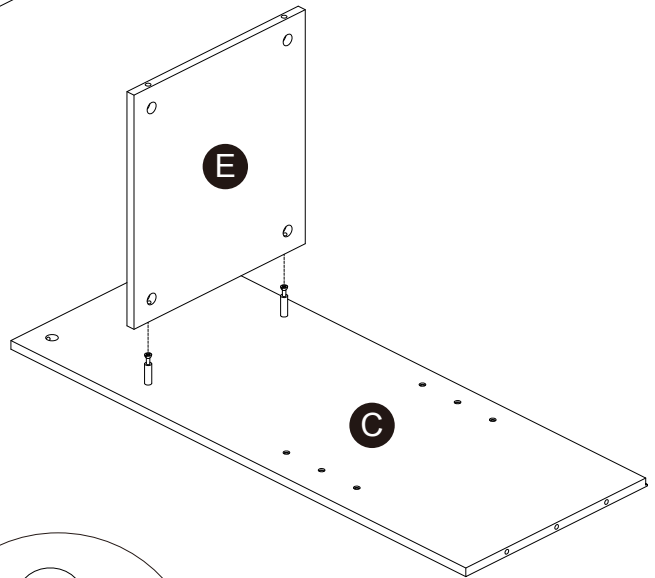
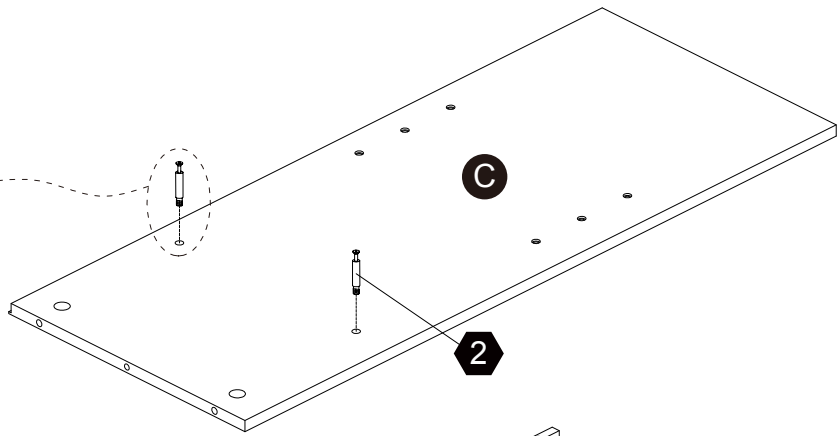
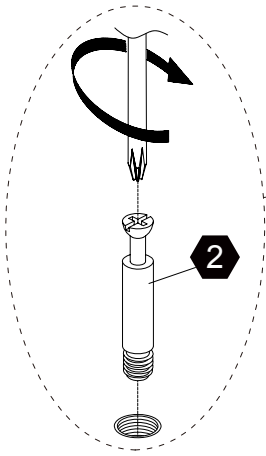


2 pcs

4



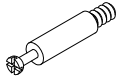
2 pcs



Scan for assembly instructions.

Step 2

2



2 pcs

3



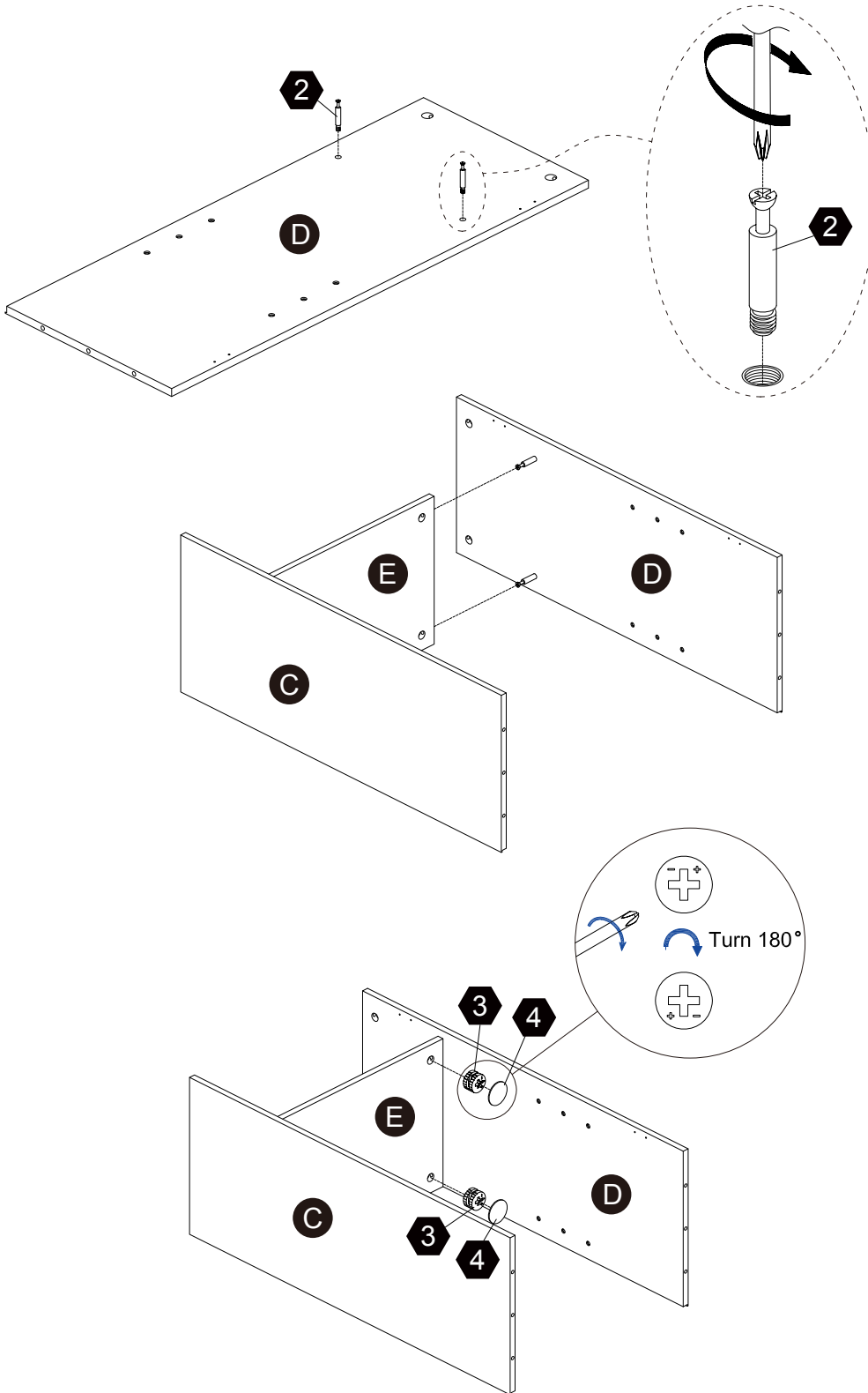
Ø15*9

2 pcs

4



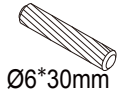
2 pcs



Scan for assembly instructions.

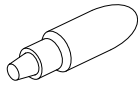
Step 3

12

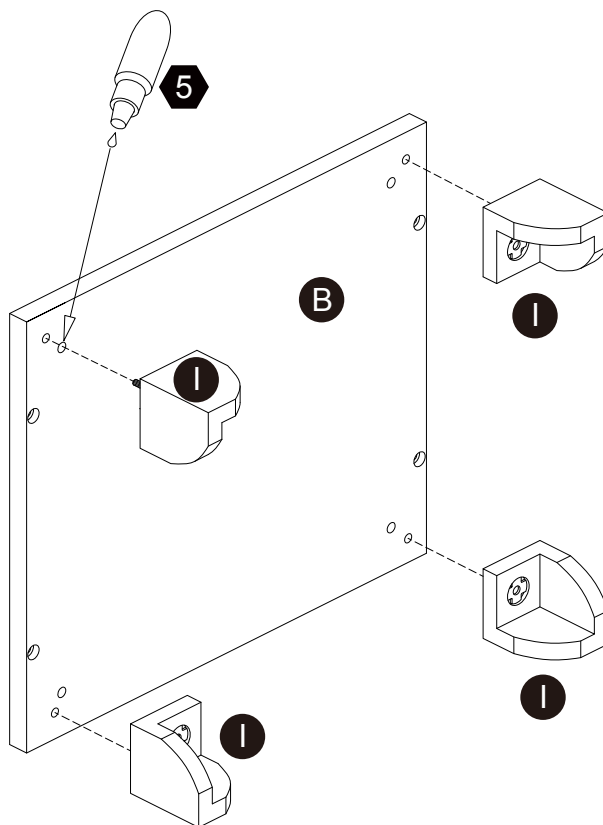
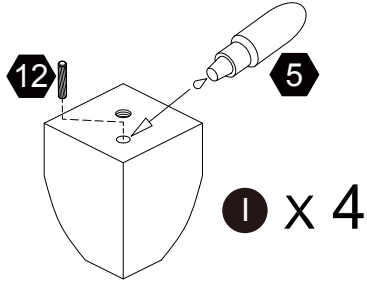


4 pcs

5



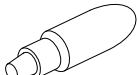
1 pc




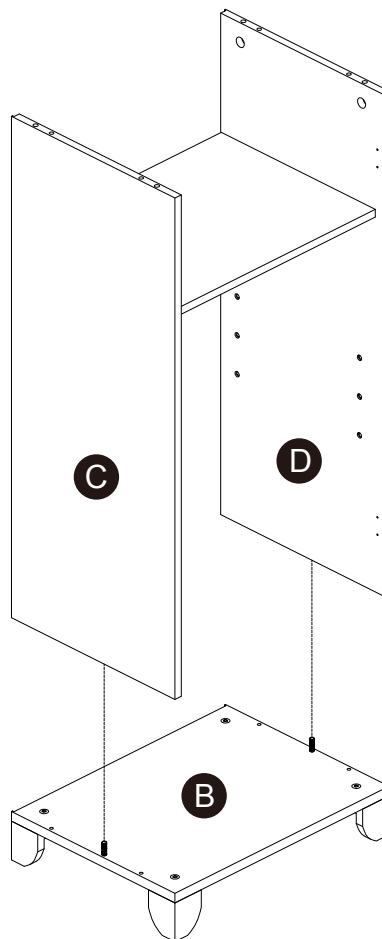
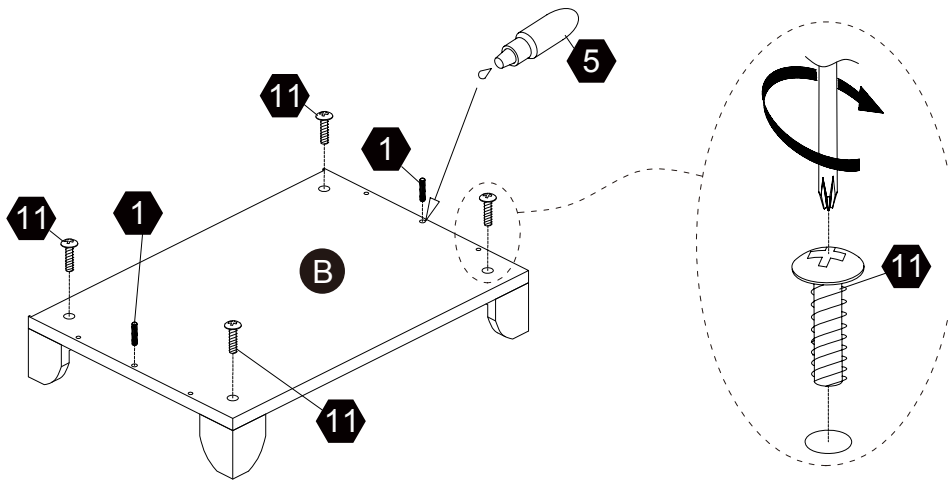
Scan for assembly instructions.

Step 4

1  $\varnothing 8 \times 30 \text{mm}$ 2 pcs

5  1 pc

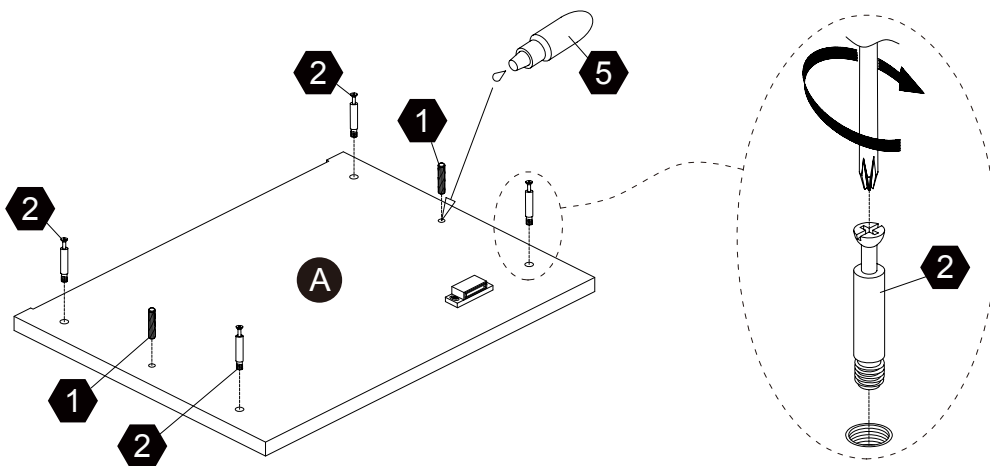
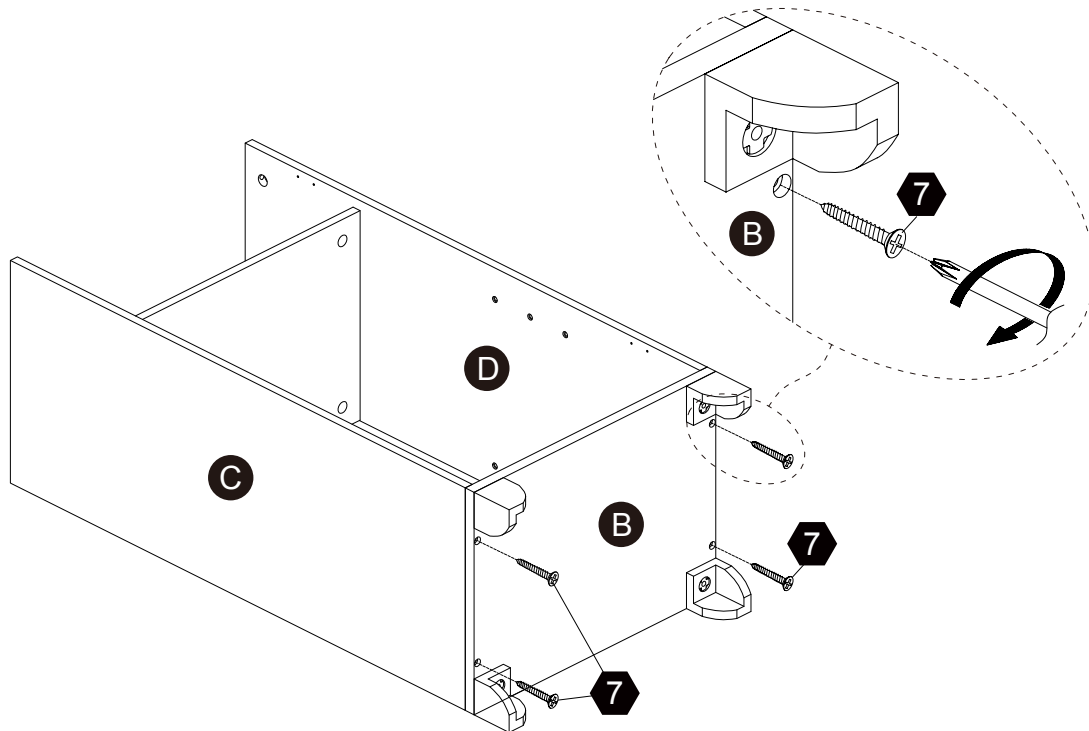
11  $\varnothing 1/4'' \times 1''$ 4 pcs



Scan for assembly instructions.

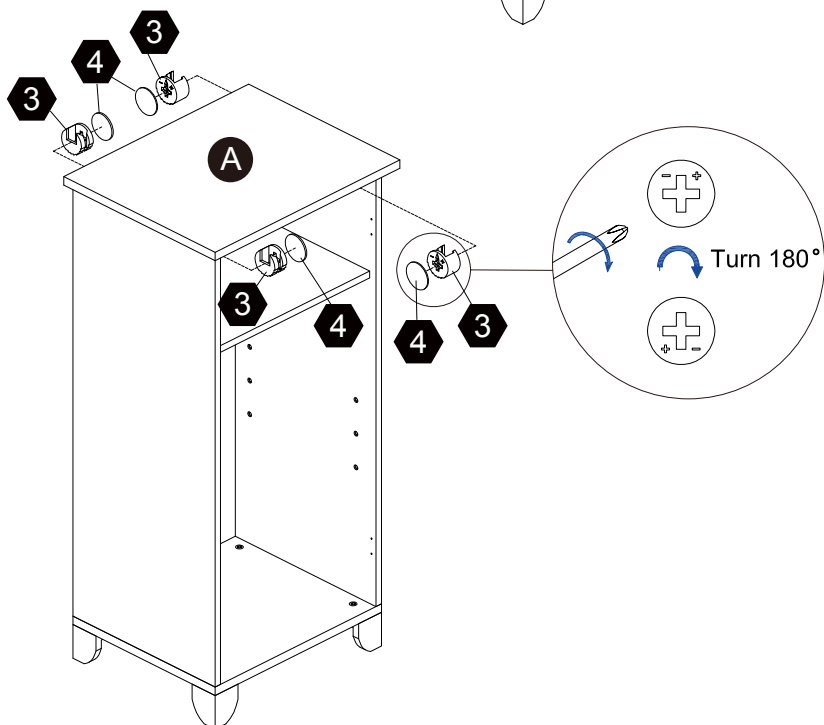
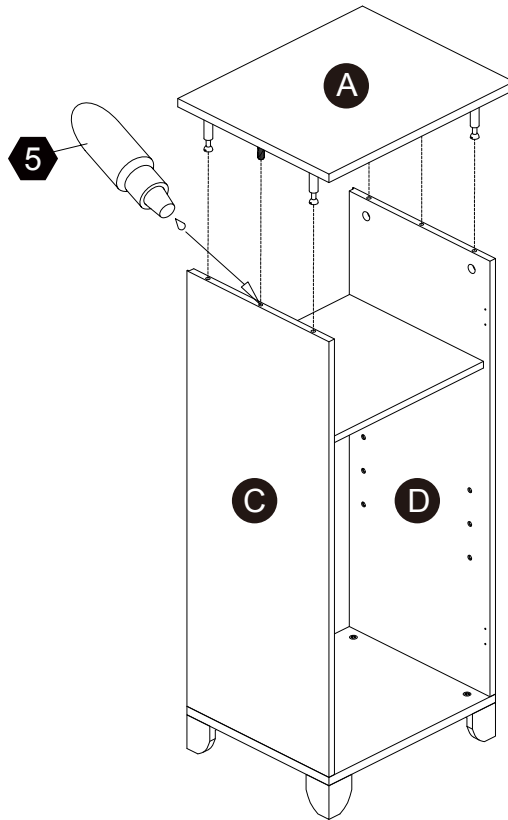
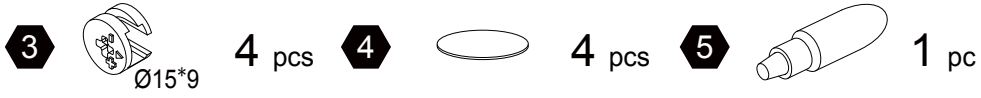
Step 5

- 1  Ø8*30mm 2 pcs 2  4 pcs 5  1 pc 7  Ø4*38mm 4 pcs



Scan for assembly instructions.

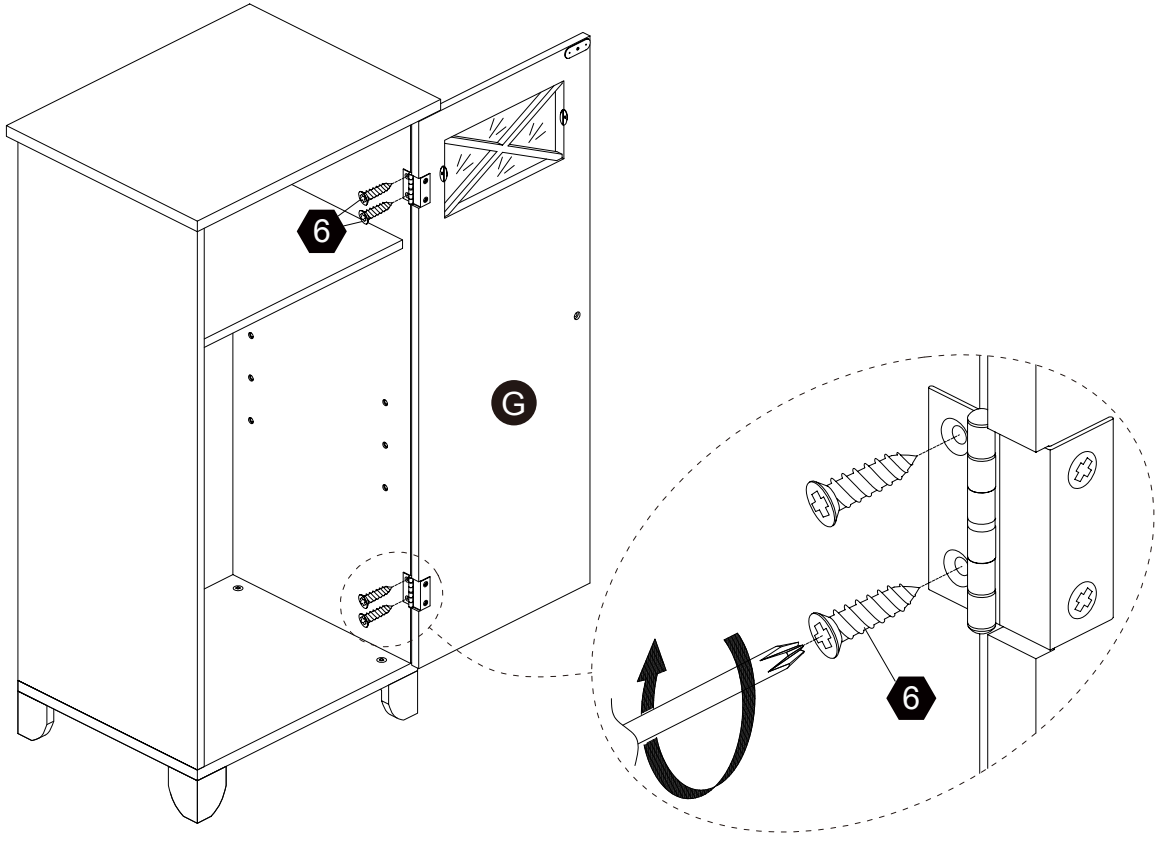
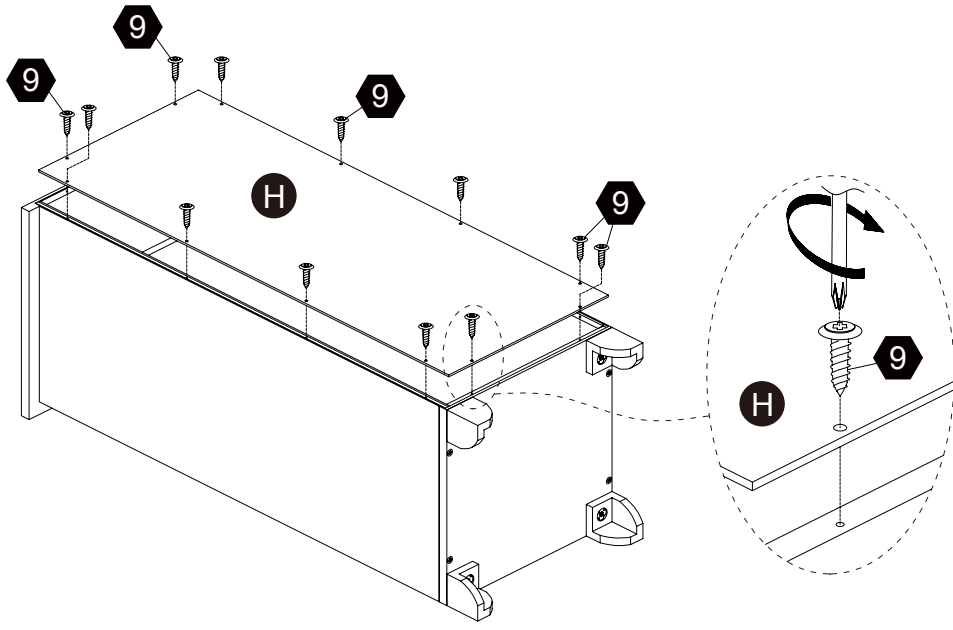
Step 6



Scan for assembly instructions.

Step 7

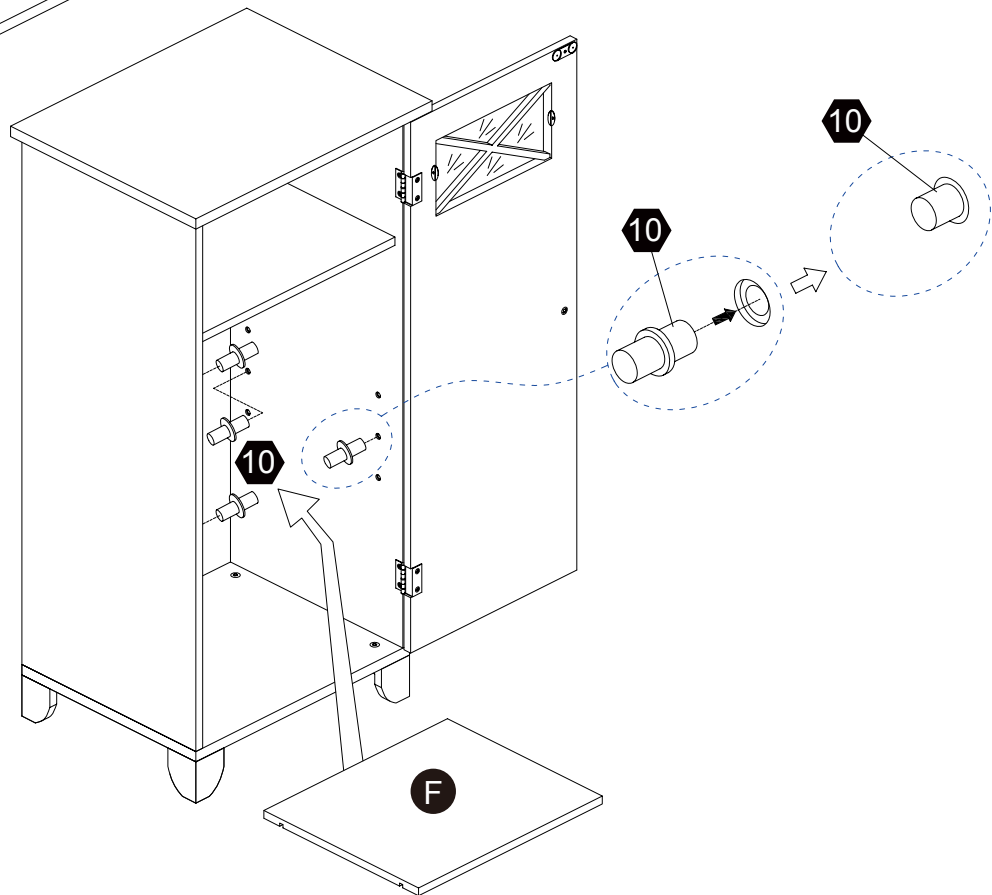
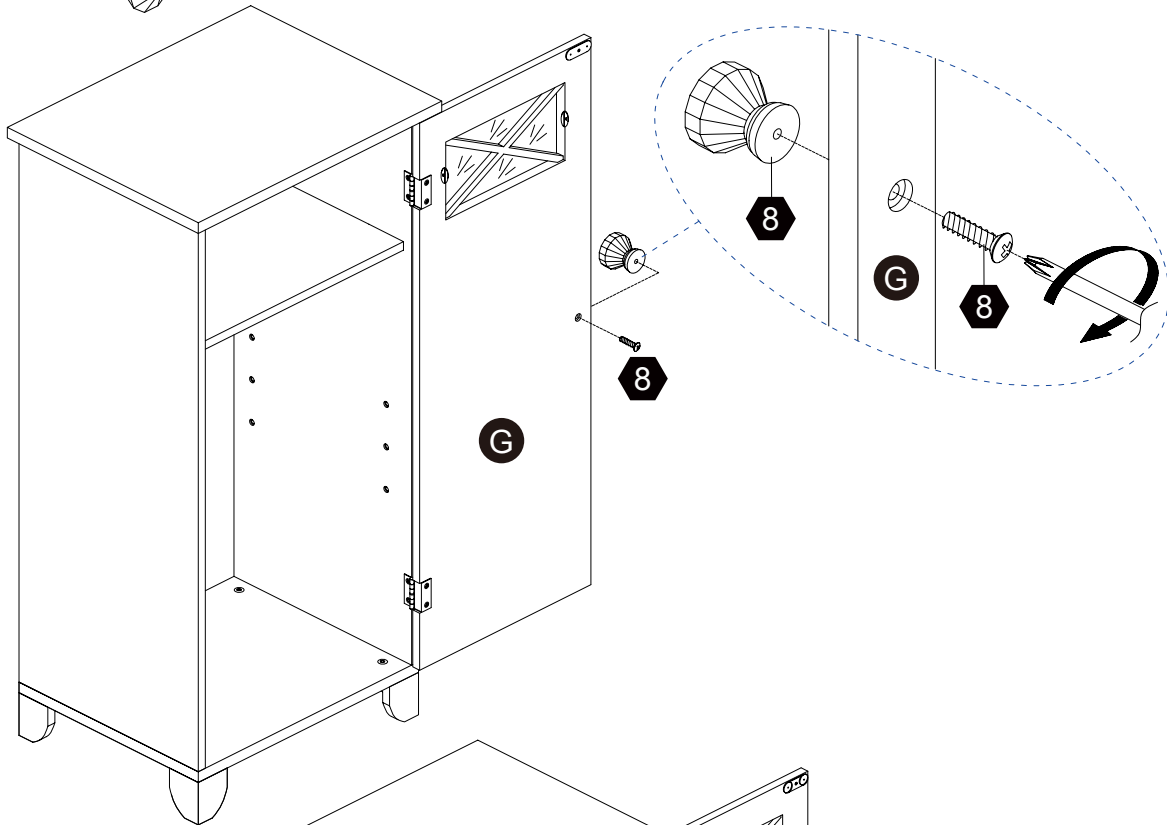
- 6**  $\varnothing 3 \times 12 \text{mm}$ 4 pcs
- 9**  $\varnothing 3 \times 12 \text{ D}=7$ 12 pcs



Scan for assembly instructions.

Step 8

8 1 SET 10 4 pcs



Scan for assembly instructions.