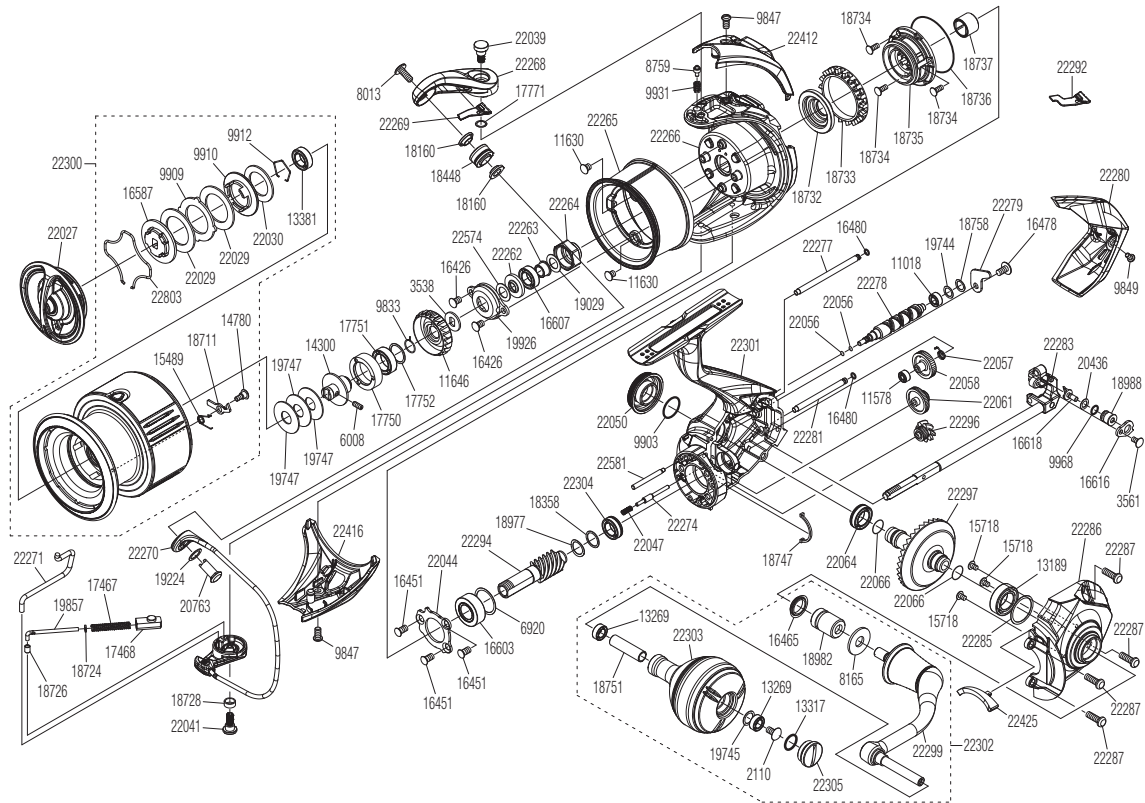


# SHIMANO

## STELLA

## STL-C5000XG



Please note that the number of adjusting washers may not always be the same as shown in the exploded views.

(51SF51LH49X)

Please note that your actions take full responsibility when you take it apart.

#	Part No.	Description	#	Part No.	Description	#	Part No.	Description
2110	103E9	Screw	18160	1020L	Bearing Spacer	22265	1011W	Rotor Brim
3538	103NX	Spool Support A	18358	10GD8	Spacer	22266	10DRQ	Rotor Assembly
3561	10MT4	Screw	18448	101BJ	Line Roller Set	22268	1011J	Bail Arm
6008	10PN2	Set Screw	18711	10TJX	Drag Click	22269	10SQ4	Bail Arm Fin
6920	107TJ	Washer	18724	101D9	Spring Guide A Support Collar	22270	10DSW	Bail Assembly
8013	10K40	Screw	18726	10DKC	Bail Spring Guide A Bush	22271	10SED	Bail Trip Lever
8165	10FJ6	Washer	18728	101D0	Bushing	22274	10SEC	Idle Gear Shaft
8759	106UX	Click Pin	18732	101D5	Rotor Ring	22277	10SQ5	Oscillating Guide A
9833	107V2	Ratchet Spring	18733	10DK7	Friction Ring	22278	10SQ6	Worm Shaft
9847	10CYU	Screw	18734	101D7	Screw	22279	10SDX	Worm Shaft Retainer
9849	106ZG	Screw	18735	10S2L	Roller Clutch Assembly	22280	1011Z	Rear Protector
9903	108WA	O Ring	18736	10DKD	Roller Clutch Case Seal	22281	10SPV	Oscillating Guide B
9909	10BCP	Eared Washer	18737	10DJY	Roller Clutch Inner	22283	10DRR	Main Shaft Assembly
9910	10B9D	Key Washer A	18747	10DKA	Flange Water Proof	22285	100W9	Washer
9912	10GEW	Bearing Retainer	18751	1022F	Handle Knob Shaft Pipe	22286	10DRV	Side Cover Assembly
9931	10CGZ	Click Spring	18758	10TK0	Washer	22287	10SJV	Screw
9968	108W9	O Ring	18977	10053	Washer	22294	10SEH	Pinion Gear
11018	10PDA	Ball Bearing	18982	10070	Handle Shaft Cover B	22296	10SQA	Idle Gear (Large)
11578	10PC0	Ball Bearing	18988	1005H	Oscillating Slider Bushing	22297	10SQC	Drive Gear
11630	103C8	Screw	19029	101M1	Washer	22299	10E18	Handle Shank Assembly
11646	107PS	Drag Click Ratchet	19224	1002S	Washer	22300	10E19	Spool Assembly
13189	104PT	Ball Bearing	19744	100XZ	Washer	22301	10E1D	Body Assembly
13269	104VX	Ball Bearing	19745	104FH	Washer	22302	10E1E	Handle Assembly
13317	10LAB	O Ring	19747	101AV	Spool Washer	22303	10E1A	Handle Knob Assembly
13381	104JT	Ball Bearing	19857	10SAN	Bail Spring Guide A	22304	10RG4	Ball Bearing
14300	10LTS	Spool Bearing Bushing	19926	1076N	Retainer	22305	10SQ9	Handle Knob Seal
14780	10A6F	Screw	20436	100CW	Washer	22412	1011M	Bail Spring Cover
15489	10BQE	Drag Click Spring	20763	10RKV	Line Roller Support	22416	1012D	Bail Hold Support
15718	1055G	Screw	22027	10EEU	Drag Knob Assembly	22425	10QWW	Bail Trip Strike
16426	103LB	Screw	22029	10R5H	Drag Washer A	22574	13XFY	Washer
16451	10ML6	Screw	22030	10R4W	Drag Washer B	22581	13XY6	Idle Gear C Shaft
16465	10PXU	Handle Shaft Seal	22039	10R59	Screw	22803	145QR	Retainer
16478	103EB	Screw	22041	10R4T	Screw			
16480	10JAB	O Ring	22044	10R53	Bearing Retainer			
16587	10QBY	Key Washer B	22047	10R5T	Idle Gear Spring			
16603	104VF	Ball Bearing	22050	10R5R	Handle Screw Cap			
16607	104JV	Ball Bearing	22056	10092	O Ring			
16616	10HAH	Oscillating Pawl Cover	22057	10R5N	Idle Gear Spring			
16618	106VM	Oscillating Pawl	22058	10R5L	Idle Gear			
17467	10R2P	Bail Spring	22061	10R4Q	Idle Gear C			
17468	10R2E	Bail Spring Guide B	22064	10R5U	Ball Bearing			
17750	10TQH	Bearing Spacer	22066	1009S	O Ring			
17751	10EX8	Ball Bearing	22262	10SPZ	Bearing Water Proof			
17752	10GHN	Washer	22263	10S01	Spacer			
17771	10192	Washer	22264	10SQ2	Rotor Nut	22292	10SE2	Bail Arm Fin (accessory)