



OWNER'S MANUAL

Linear Series
(CBL42 with optional surround illustrated)



SAFETY INFORMATION

! WARNING

FIRE OR EXPLOSION HAZARD

Failure to follow safety warnings exactly could result in serious injury, death, or property damage.

- Do not store or use gasoline or other flammable vapors and liquids in the vicinity of this or any other appliance.

WHAT TO DO IF YOU SMELL GAS:

- Do not try to light any appliance.
- Do not touch any electrical switch; do not use any phone in your building.
- Leave the building immediately.
- Immediately call your gas supplier from a neighbour's phone. Follow the gas supplier's instructions.
- If you cannot reach your gas supplier, call the fire department.
- Installation and service must be performed by a qualified installer, service agency, or the supplier.

For indoor use only

Quality System Certified To
ISO
9001:2015




\$10.00



WARNING

- This appliance is hot when operated and can cause severe burns if contacted.
- Any changes to this appliance or its control can be dangerous and are prohibited.
- Do not operate appliance before reading and understanding operating instructions. Failure to operate appliance according to operating instructions could cause fire or injury.
- Risk of fire or asphyxiation do not operate appliance with fixed glass removed.
- Do not connect 110 volts to the control valve.
- Risk of burns. The appliance should be turned off and cooled before servicing.
- Do not install damaged, incomplete or substitute components.
- Risk of cuts and abrasions. Wear protective gloves and safety glasses during installation. Sheet metal edges may be sharp.
- Children and adults should be alerted to the hazards of high surface temperature and should stay away to avoid burns or clothing ignition.
- Young children should be carefully supervised when they are in the same room as the appliance. Toddlers, young children, and others may be susceptible to accidental contact burns. A physical barrier is recommended if there are at risk individuals in the house. To restrict access to an appliance or stove, install an adjustable safety gate to keep toddlers, young children and other at risk individuals out of the room and away from hot surfaces.
- Clothing or other flammable material should not be placed on or near the appliance.
- Due to high temperatures, the appliance should be located out of traffic and away from furniture and draperies.
- Ensure you have incorporated adequate safety measure to protect infants/toddlers from touching hot surfaces.
- Even after the appliance is out, the glass and/or screen will remain hot for an extended period of time.
- Check with your local hearth specialty dealer for safety screens and hearth guards to protect children from hot surfaces. These screens and guards must be fastened to the floor.
- Any safety screen, guard or barrier removed for servicing the appliance, must be replaced prior to operating the appliance.
- The appliance is a vented gas-fired appliance. Do not burn wood or other materials in the appliance.
- The appliance area must be kept clear and free from combustible materials, gasoline and other flammable vapors and liquids.
- Under no circumstances should this appliance be modified.
- This appliance must not be connected to a chimney flue pipe serving a separate solid fuel burning appliance.
- Do not use this appliance if any part has been under water. Immediately call a qualified service technician to inspect the appliance and to replace any part of the control system and any gas control which has been under water.
- Do not operate the appliance with the glass door removed, cracked or broken. Replacement of the glass should be done by a licensed or qualified service person.
- Do not strike or slam shut the appliance glass door.
- When equipped with pressure relief doors, they must be kept closed while the appliance is operating to prevent exhaust fumes containing carbon monoxide, from entering into the home. Temperatures of the exhaust escaping through these openings can also cause the surrounding combustible materials to overheat and catch fire.
- Only doors / optional fronts certified with the unit are to be installed on the appliance.
- Keep the packaging material out of reach of children and dispose of the material in a safe manner. As with all plastic bags, these are not toys and should be kept away from children and infants.
- As with any combustion appliance, we recommend having your appliance regularly inspected and serviced as well as having a carbon monoxide detector installed in the same area to defend you and your family against carbon monoxide.
- Ensure clearances to combustibles are maintained when building a mantel or shelves above the appliance. Elevated temperatures on the wall or in the air above the appliance can cause melting, discolouration or damage to decorations, a T.V. or other electronic components.
- A barrier designed to reduce the risk of burns from the hot viewing glass is provided with this appliance and shall be installed.
- If the barrier becomes damaged, the barrier shall be replaced with the manufacturer's barrier for this appliance.
- Installation and repair should be done by a qualified service person. The appliance should be inspected before use and at least annually by a professional service person. More frequent cleaning may be required due to excessive lint from carpeting, bedding material, etc. It is imperative that control compartments, burners and circulating air passageways of the appliance be kept clean.

 **WARNING:** This product can expose you to chemicals including lead and lead compounds, which are known to the State of California to cause cancer, and chemicals including carbon monoxide, which are known to the State of California to cause birth defects or other reproductive harm. For more information, go to www.P65Warnings.ca.gov.

1.0	getting to know your appliance	5
1.1	control access	6
1.2	rating plate information	6
2.0	operating your appliance	7
2.1	using your appliance	7
2.2	on/off components	7
2.3	operating and lighting instructions	8
2.3.1	changing the batteries in the battery holder	9
2.3.2	turndown	10
3.0	remote control layout	11
3.1	general transmitter layout	11
3.2	temperature display	11
3.3	in the event of a battery failure	12
3.4	low battery	12
4.0	clearances around fireplace	13
4.1	optional heat management system	14
4.2	clearances around appliance (TV and valuable objects)	15
5.0	maintenance	17
5.1	care of glass	17
5.2	care of plated parts	18
5.3	safety barrier removal	18
5.4	door trim removal	19
5.5	firebox glass door removal	19
6.0	replacement parts	20
7.0	accessories	21
8.0	troubleshooting	22
9.0	warranty	23

This owner’s manual is written for a complete series of fireplaces that have a variety of different features and specifications. Before reading this manual, be sure you know which model of fireplace that you have. This information will have been filled out by the installer on the following page and on the rating plate that is permanently attached to the fireplace (see “rating plate information” section).

This manual is for the:

- **CBL42** and **CBL56** models

If required, more detailed technical information is included in the appliance installation manual.

The information throughout this manual is believed to be correct at the time of printing. Wolf Steel Ltd. reserves the right to change or modify any information within this manual at any time without notice. Changes, other than editorial, are denoted by a vertical line in the margin.

Visit the Continental website for the most current version of your appliance’s manual.

This appliance is suitable for use with the optional Universal Heat Management system. **THIS MANUAL DOES NOT** include detailed information relating the optional system. Framing and finishing are NOT the same. For further details, refer to UHM instructions provided with the kit before starting installation.



Batteries must be disposed of according to the local laws and regulations. Some batteries may be recycled, and may be accepted for disposal at your local recycling center. Check with your municipality for recycling instructions.

welcome

congratulations

Continental is proudly committed to your total home comfort. We are proud to say that our products continuously surpass industry standards and our inspiration is you! More than anything, we want you to feel confident in choosing Continental for your home. Our products are designed to provide that confidence and ensure that every Continental product is beyond compare.

Continental products are designed with superior components and materials assembled by trained craftsmen who take great pride in their work.

A barrier designed to reduce the risk of burns from the hot viewing glass is provided with the appliance for your safety. **This barrier must be installed.**

Your Continental fireplace has been thoroughly inspected by a qualified technician before packaging to ensure that you, the customer, receives the quality product that you expect from Continental.

Dealer : Fill in your dealer information (or business card) and the appliance installation information below.

Dealer Information

Name of Dealer: _____
 Dealer Location: _____
 Dealer Phone: _____
 Dealer E-mail: _____

Customer: _____
 Customer Address: _____
 Date of Installation: _____
 Location of the appliance: _____
 Installer: _____

Dealer: Business card location

Serial Number: _____

Model:

Natural Gas: CBL42NTEA
 CBL56NTEA

Propane: CBL42PTEA
 CBL56PTEA

1.0 getting to know your appliance EN

The area above the fireplace opening including the safety barrier, barrier frame and the surface of the wall can get very hot during operation and should never be touched until the appliance is off and completely cooled.

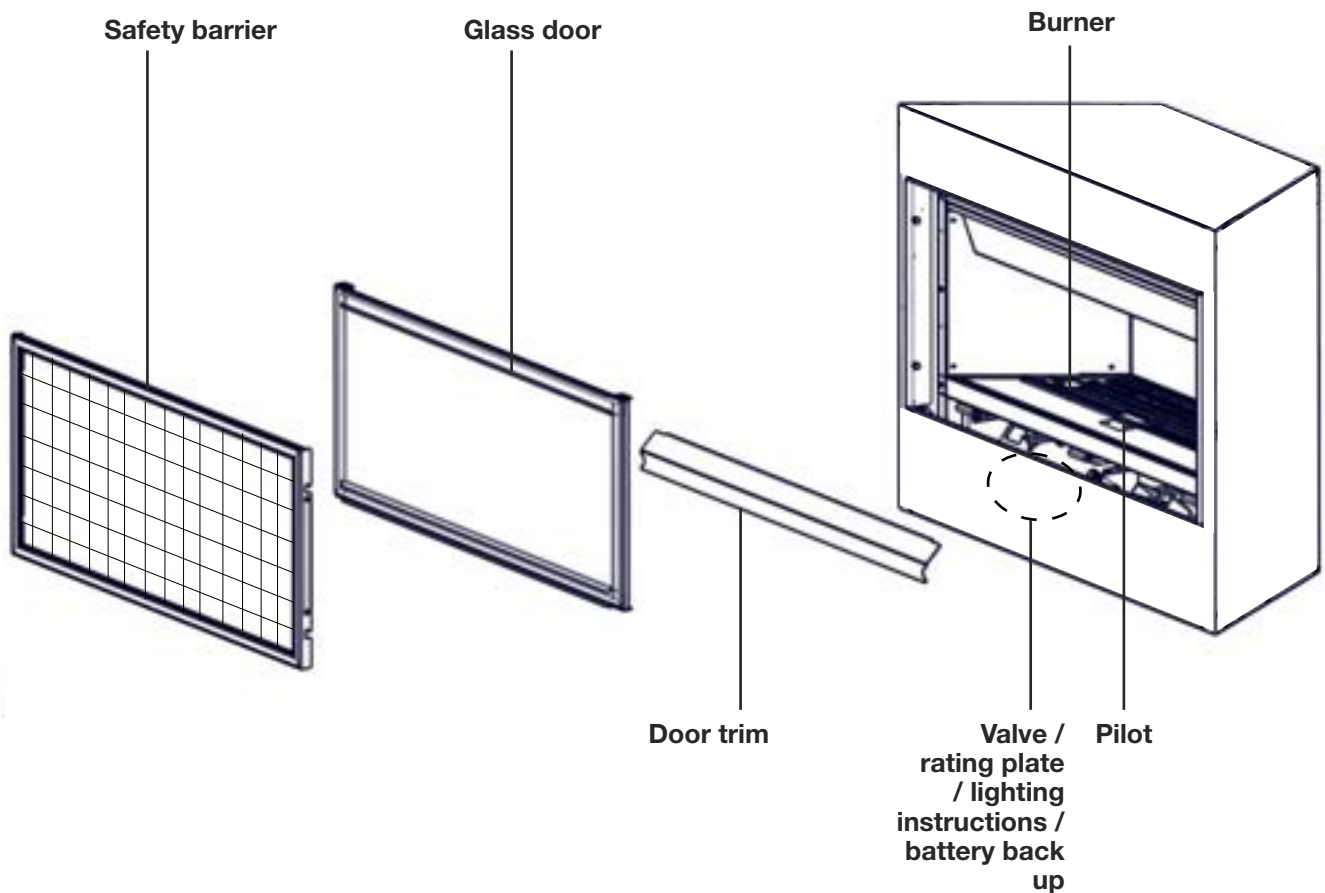
DANGER

HOT GLASS WILL CAUSE BURNS.

DO NOT TOUCH GLASS UNTIL COOLED.

NEVER ALLOW CHILDREN TO TOUCH GLASS.

A barrier designed to reduce the risk of burns from the hot viewing glass is provided with this appliance and shall be installed for the protection of children and other at-risk individuals.



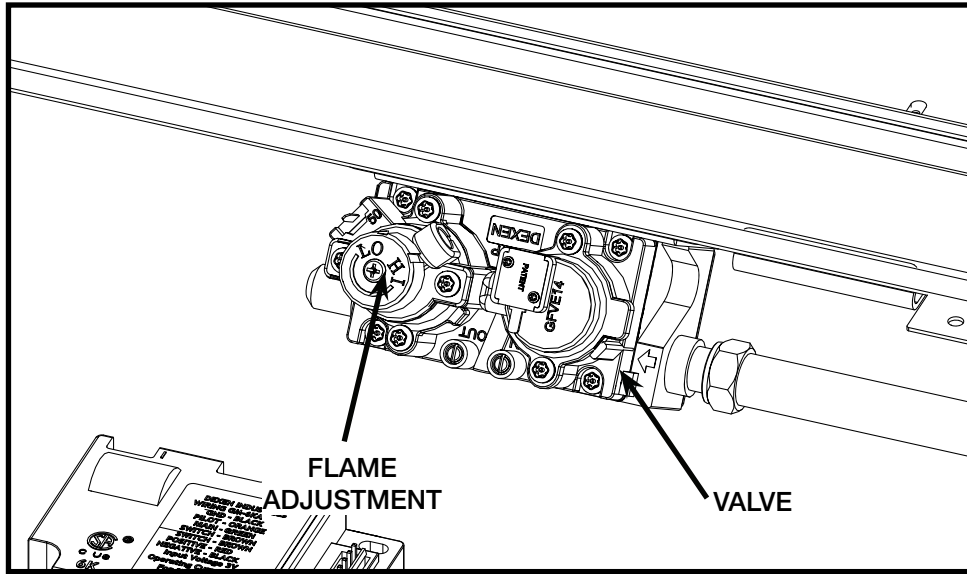
note:

Some features and locations may vary depending on the model.

getting to know your appliance

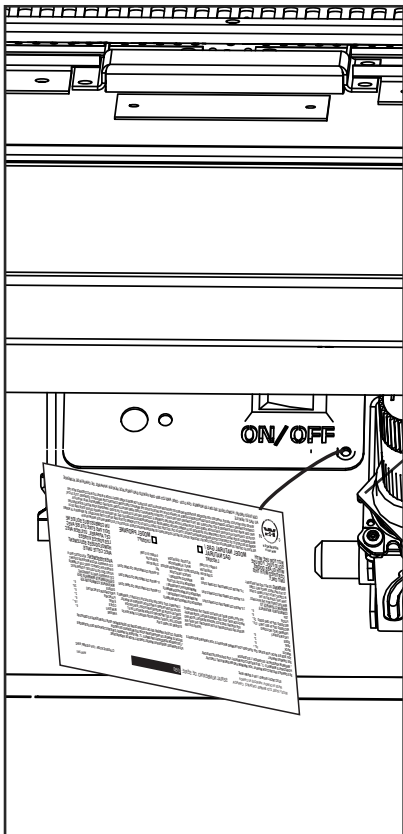
1.1 control access

Access to the control can be done by removing the safety barrier, door trim and control cover (see “maintenance” section for instructions on how to remove these components).



1.2 rating plate information

This illustration is for reference only. Refer to the rating plate on the appliance for accurate information.



Certified to Canadian and American National Standards: **CSA 2.22-XXXX / ANSI Z21.50-XXXX for Vented Decorative Gas Appliances**
 Certifié selon les normes Nationales Canadiennes et Américaines: **CSA 2.22-XXXX / ANSI Z21.50-XXXX pour les Appareils à gaz décoratifs à évacuation**

Direct vent, vented gas fireplaces. Approved for bedroom, bathroom and bed-sitting room installation. Suitable for mobile home installation, if installed in accordance with the current standard CAN / CSA 2240MH Series gas equipped mobile homes in Canada, or, in the United States, the Manufactured Home Construction and Safety Standard, Title 24 CFR, Part 3280. When this US Standard is not applicable, use the Standard for Fire Safety Criteria for Manufactured Home Installations, Sites and Communities, ANSI / NFPA 501A. This appliance must be installed in accordance with local codes, if any; if none, follow the current ANSI Z223.1 or CSA B149. For use with barrier **XXXX-XXXX**. Follow installation instructions. Foyer à gaz ventilé. Homologué pour installation dans une chambre à coucher, une salle de bain et un studio. Appareil pour installation dans une maison mobile si son installation conforme aux exigences de la norme CAN / CSA 2240MH Series de maisons mobile équipées au gaz en vigueur au Canada, ou, aux États-Unis selon la norme 24 CFR, Part 3280 Manufactured Home Construction and Safety Standard. Dans le cas où cette norme d'États-Unis n'est pas pertinente, utiliser la norme NFPA 501A, Fire Safety Criteria for Manufactured Home Installations, Sites and Communities. Installer l'appareil selon les codes ou règlements locaux ou, en l'absence de tels règlements, selon les codes d'installation ANSI Z223.1 ou CSA B149 en vigueur. Utiliser uniquement avec l'écran **XXXX-XXXX**. Suivez les instructions d'installation.

REFERENCE# 161746

VENTED DECORATIVE GAS APPLIANCE. NOT A SOURCE OF HEAT, NOT INTENDED FOR USE AS A HEATING APPLIANCE, NOT FOR USE WITH SOLID FUEL.
APPAREIL À GAZ DÉCORATIF À ÉVACUATION: N'EST PAS UNE SOURCE DE CHALEUR; N'EST PAS DESTINÉ À ÊTRE UTILISÉ COMME UN APPAREIL DE CHAUFFAGE; NE CONVIENT PAS AUX COMBUSTIBLES SOLIDES.

FOR USE WITH GLASS DOORS CERTIFIED WITH THIS APPLIANCE ONLY. POUR UTILISATION UNIQUEMENT AVEC LES PORTES EN VERRE CERTIFIÉES AVEC L'APPAREIL.

For natural gas when equipped with No. XX drill size orifice. For propane when equipped with No. XX injector of diameter no. XX. Convient au gaz naturel quand l'appareil est muni d'un injecteur de diamètre no. XX. Convient au propane quand l'appareil est muni d'un injecteur de diamètre no. XX.

WARNING: Do not add any material to the appliance which will come in contact with the flames, other than that supplied by the manufacturer with the appliance.
AVERTISSEMENT: N'ajoutez pas à cet appareil aucun matériau devant entrer en contact avec les flammes autre que celui qui est fourni avec cet appareil par le fabricant. L'appareil doit être ventilé à l'aide de l'ensemble d'évacuation propre à Napcolean. Référez au manuel d'installation pour les spécifications d'évacuation. Il est nécessaire de bien réinstaller et receller l'évacuation après avoir exécuté l'entretien du système de prise d'air.

Serial Number / N° de Série: **XXXX** W385-XXXX

note:
 The rating plate must remain with the appliance at all times. It must not be removed.

When operating your appliance for the first time, there is a required burn-in process that cures materials used to manufacture the fireplace that may emit both vapors and an odor. These are normal when operating a new appliance for the first time. Ensure adequate air circulation is provided during burn-in process, if this was not completed by the installer during installation.

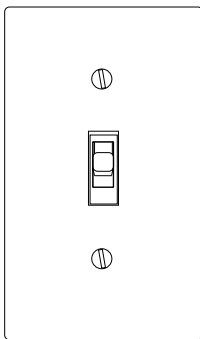
2.1 using your appliance

To turn the appliance on:

- A Turn the on/off switch on.
- B After 3-5 seconds, the control will start a spark at the pilot, light the pilot and then the burner. The spark period will last 60 seconds, or until the pilot has lit.
- C When used for the first time, if the burn-in process was not completed by the installer; run appliance continuously for 4 hours (burn-in).
- D Turn the appliance off. Wait until appliance is completely cool before moving to the next step.
- E Remove the safety barrier and firebox glass door. Clean firebox glass door (see “maintenance” section). Replace firebox glass door and safety barrier.

For more detailed information, see your installation manual or contact your authorized dealer.

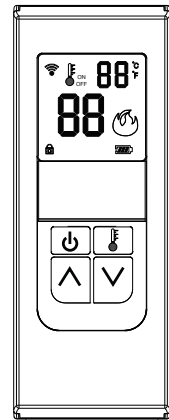
2.2 on/off components



On/off switch
(Not supplied)



Battery holder (including switch)
(Optional)



Remote control
(Optional)



Batteries must be disposed of according to the local laws and regulations. Some batteries may be recycled, and may be accepted for disposal at your local recycling center. Check with your municipality for recycling instructions.

operating your appliance

2.3 operating and lighting instructions

WARNING

- If you do not follow these instructions exactly, a fire or explosion may result causing property damage, personal injury, or loss of life.
- If applicable, always light the pilot whether for the first time or if the gas supply has run out with the glass door opened or removed.

When lit for the first time, the appliance will emit an odor for a few hours. This is a normal temporary condition caused by the “burn-in” of paints and lubricants used in the manufacturing process and will not occur again. After extended periods of non-operation, such as, following a vacation or warm weather season, the appliance may emit a slight odor for a few hours. This is caused by dust particules in the heat exchanger burning off. In both cases, open a window to sufficiently ventilate the room.

FOR YOUR SAFETY READ BEFORE LIGHTING

- Do not turn on if children or other at risk individuals are near the appliance.
- This appliance is equipped with an ignition device which automatically lights the pilot. Do not try to light the pilot by hand.
- Before operating, smell all around the appliance area for gas and next to the floor because some gas is heavier than air and will settle on the floor.
- Do not use this appliance if any part has been under water. Immediately call a qualified service technician to inspect the appliance and replace any part of the control system and any gas control which has been underwater.

WHAT TO DO IF YOU SMELL GAS

- Turn off all gas to the appliance.
- Open windows.
- Do not try to light any appliance.
- Do not touch any electric switch; do not use any phone in your building
- Immediately call your gas supplier from a neighbour's phone. Follow the gas supplier's instructions.
- If you cannot reach your gas supplier, call the fire department.

LIGHTING INSTRUCTIONS

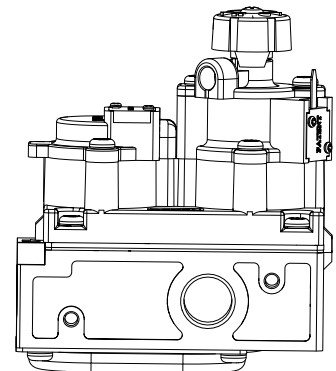
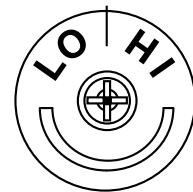
note:

This appliance is equipped with an ignition device which automatically lights the pilot. Do not try to light the pilot by hand.

- Stop! Read the above safety information on this label.
- Remove batteries from the transmitter and set thermostat to lowest setting, if equipped.
- Turn off all electrical power to the appliance.
- Open the glass door, if equipped.
- Turn the manual shut-off valve clockwise to the “OFF” position. (Shut-off valve is located on the flex connector).
- Wait five (5) minutes to clear out any gas. If you smell gas including near the floor, **STOP!** Follow the instructions above in the “WHAT TO DO IF YOU SMELL GAS” section. If you don't smell gas; close the glass door and go to the next step.
- Turn the manual shut-off valve counter clockwise to the “ON” position.
- Turn on all electrical power to the appliance and re-install the batteries into the transmitter. Set thermostat to desired setting, if equipped.
- Turn on the remote wall switch to the appliance.
- If the appliance will not operate, follow instructions “TO TURN OFF GAS” and call your service technician or gas supplier.

TO TURN OFF GAS

- Set thermostat to lowest setting, if equipped.
- Turn off the remote wall switch to the appliance.
- Turn off all electric power to the appliance if service is to be performed.
- Turn manual shutoff valve clockwise to the “OFF” position. Do not force.

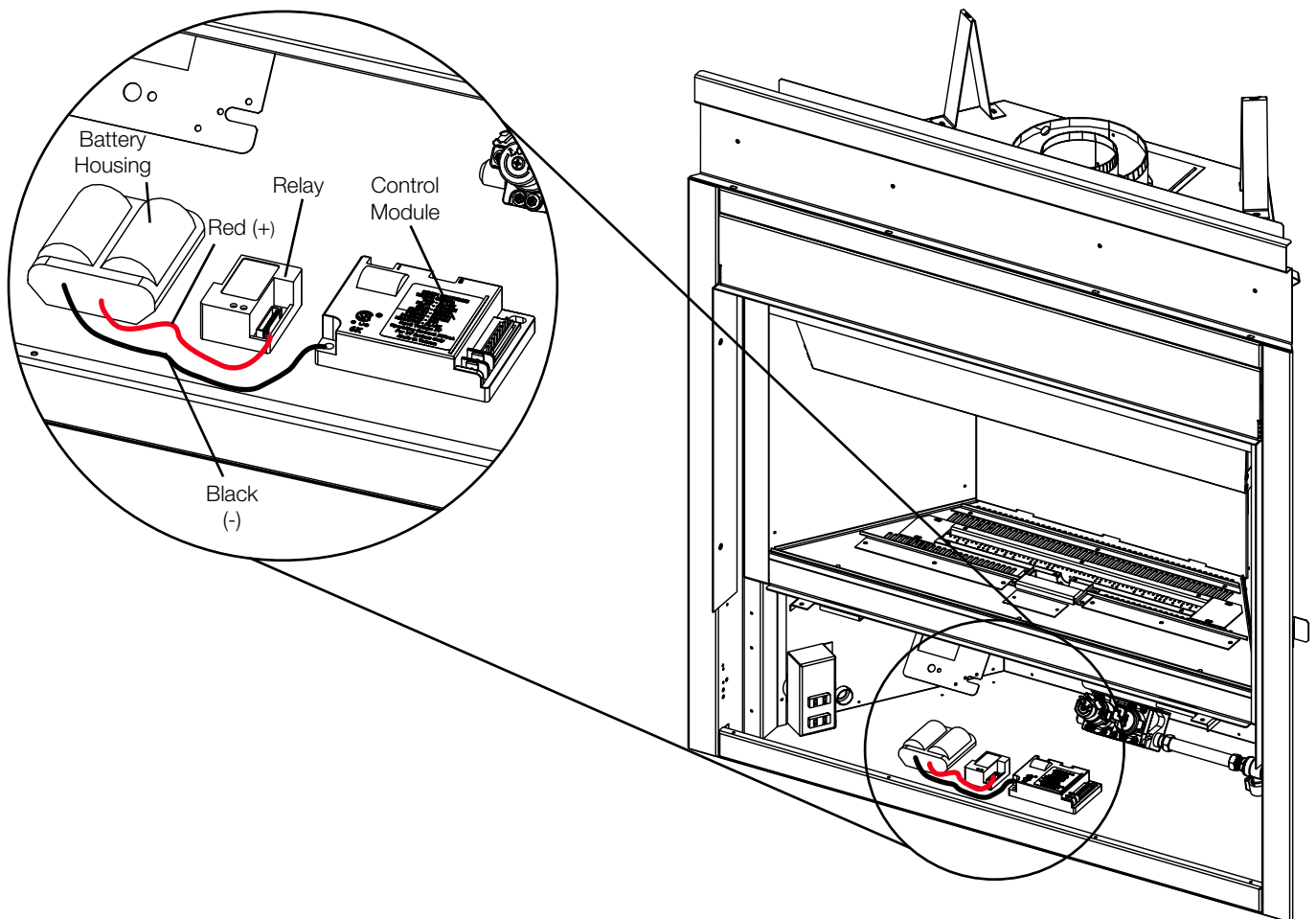


2.3.1 changing the batteries in the battery holder

! WARNING

- Ensure the gas and electrical power to the appliance is turned off.
- Appliance may be hot, do not service until the appliance has cooled.

- Remove the safety barrier to easily access the control compartment.
- Turn off the gas and disconnect the electrical power supply from the appliance.
- Locate the battery housing inside the valve compartment.
- Install 2 "D" alkaline batteries (not supplied) into the battery housing. Ensure the positive and negative ends correspond with those identified on the holder.
- Turn the gas and electrical power back on to begin operating the appliance.
- Reinstall the safety barrier. The safety barrier must be installed at all times during operation of the appliance.



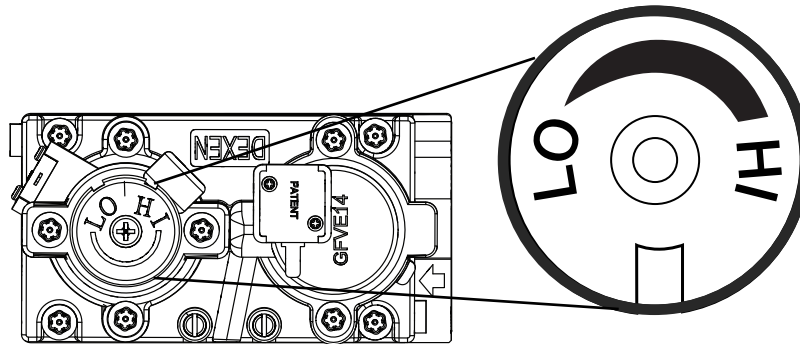
operating your appliance

2.3.2 turndown

Manual adjustments to your fireplace must only be made when the appliance is off and complete cool. Allow safety barrier to cool before making adjustment.

The CBL42/CBL56 models are equipped with a manual gas control knob (located on the valve) that adjusts the flame height to suit your preference. To access the gas control knob, remove your safety barrier, control cover and door trim (see “maintenance” section for instructions on how to remove these components).

Use only your hand to turn the gas control knob (never use tools). If the knob will not turn by hand, do **not** try to repair it. Contact a qualified technician.



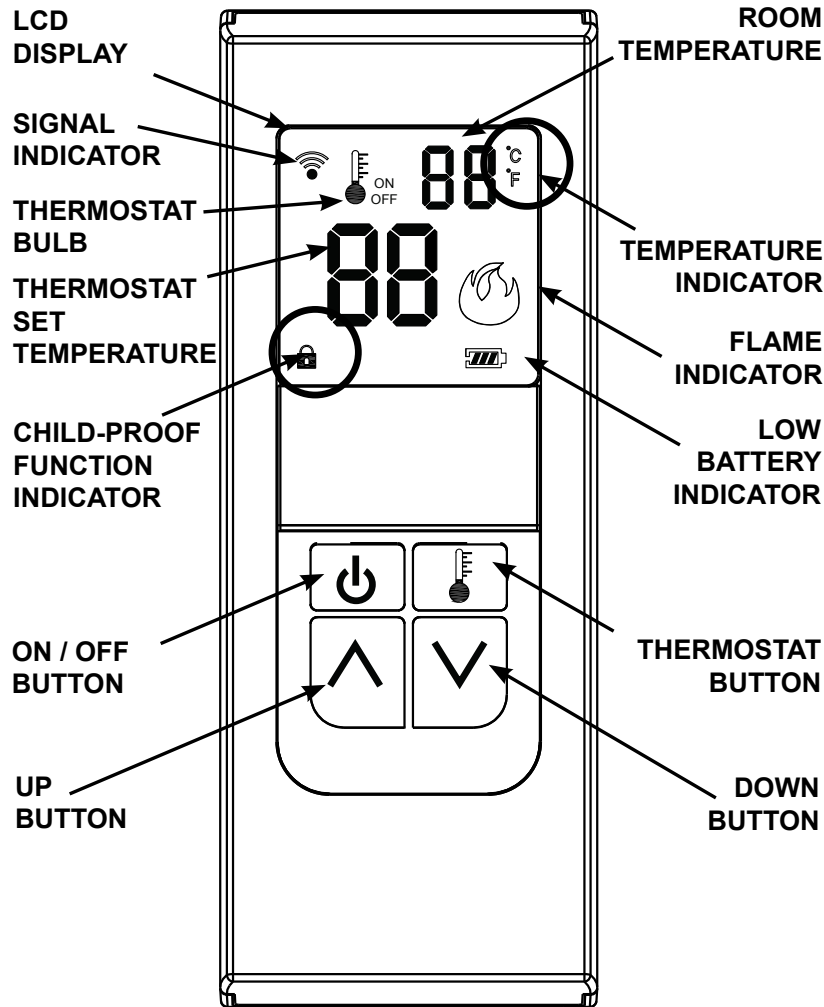
An optional remote control is available to turn the appliance on and off without the need to remove the safety barrier, refer to the instructions provided with the remote control.

3.1 general transmitter layout

note:

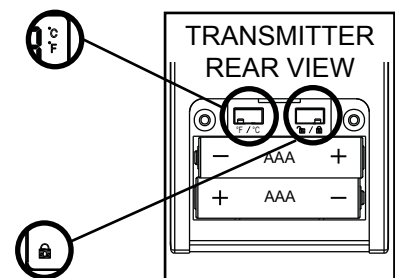
The remote control is optional for the CBL42 and CBL56 models.

The receiver switch must be in the REMOTE position for the transmitter to function. This remote system operates using radio frequency signals sent by the transmitter to the receiver. It is recommended that the distance between the transmitter and receiver never exceeds 20' and 10' if the receiver is located within the fireplace's outer or inner cavity surrounding an insert. Low batteries will also affect operational distance.



3.2 temperature display

Remove the battery cover on the back of the transmitter to expose the °C / °F dip switch. Move the dip switch to your desired temperature mode. Selected temperature mode will appear in the top right corner beside the room temperature.



operating your appliance

3.3 in the event of a battery failure

If the receiver batteries fail, the appliance will no longer turn on or off. To operate the appliance in the event of a battery failure, the slide switch located on the receiver may be switched to the “ON” position to operate the appliance.

3.4 low battery

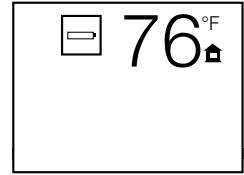
The life span of the remote batteries depends on various factors: quality of the batteries, the number of ignitions, etc.

When the transmitter batteries are low, a battery icon will appear on the LCD display before all battery power is lost. When the batteries are replaced, this icon will disappear.

When the receiver batteries are low, no “beep” will be emitted from the receiver when it receives an **on/off** command. This is an alert for the receiver that there’s low battery.

When the batteries are replaced the “beep” will be emitted from the receiver when the **on/off key** is pressed.

If the batteries of the receiver or transmitter are low, the appliance can be turned on manually by sliding the three position slider switch on the receiver to the **on** position. This will bypass the remote control feature and the appliance main burner will come on if the gas valve is in the **on** position.



! WARNING

- Your appliance, gas/electrical connections, venting and various key components are hidden behind the wall. It is critical that no screws penetrate these components. Failure to follow instructions may cause improper operation, damage, personal injury or fire. Always use a stud finder and only screw into studs.

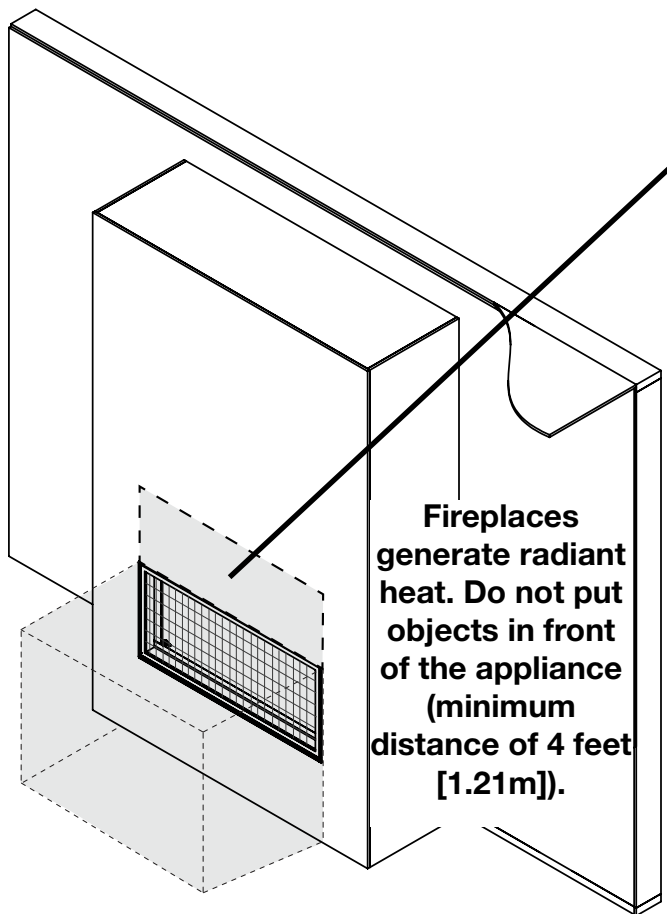
Without making adequate provisions to account for the heat, the temperatures above the fireplace will be hot, making it unsuitable for mounting a TV or other objects sensitive to heat without risk of damage.

Installing a mantel between this appliance and electronics or other materials that may be sensitive to heat will reduce the effect of direct heat on them.

The size and material of the mantel will affect the allowable clearance above your fireplace. Incorrect placement could become a fire hazard. Consult your installation manual and/or authorized dealer for more information before mounting a mantel, a shelf or any other object above your appliance.

Your fireplace, gas/electrical connections and vent are hidden directly behind the finished wall. Great care should be taken to avoid screwing or nailing into these components. Always use a stud finder to determine stud location and only screw into studs.

Do not screw into the area around the fireplace opening as some of your appliance may be hidden behind the finished wall. Refer to your installation manual and/or contact your local dealer for more information.

**! WARNING**

The area above a fireplace gets hot. Combustible objects or materials must never be placed in this area. For minimum clearances, refer to installation manual or your authorized dealer.

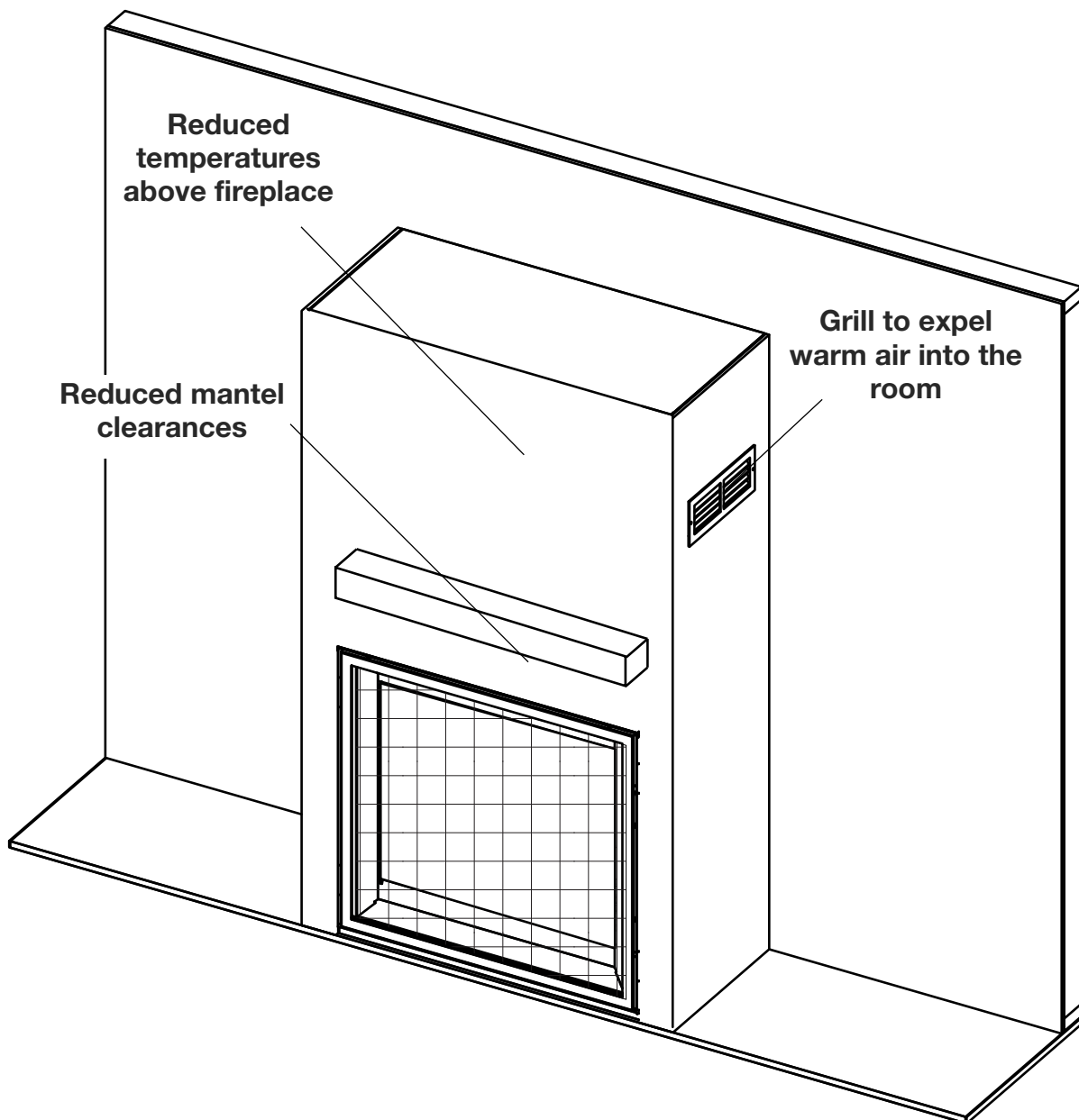
clearances around fireplace

4.1 optional heat management system

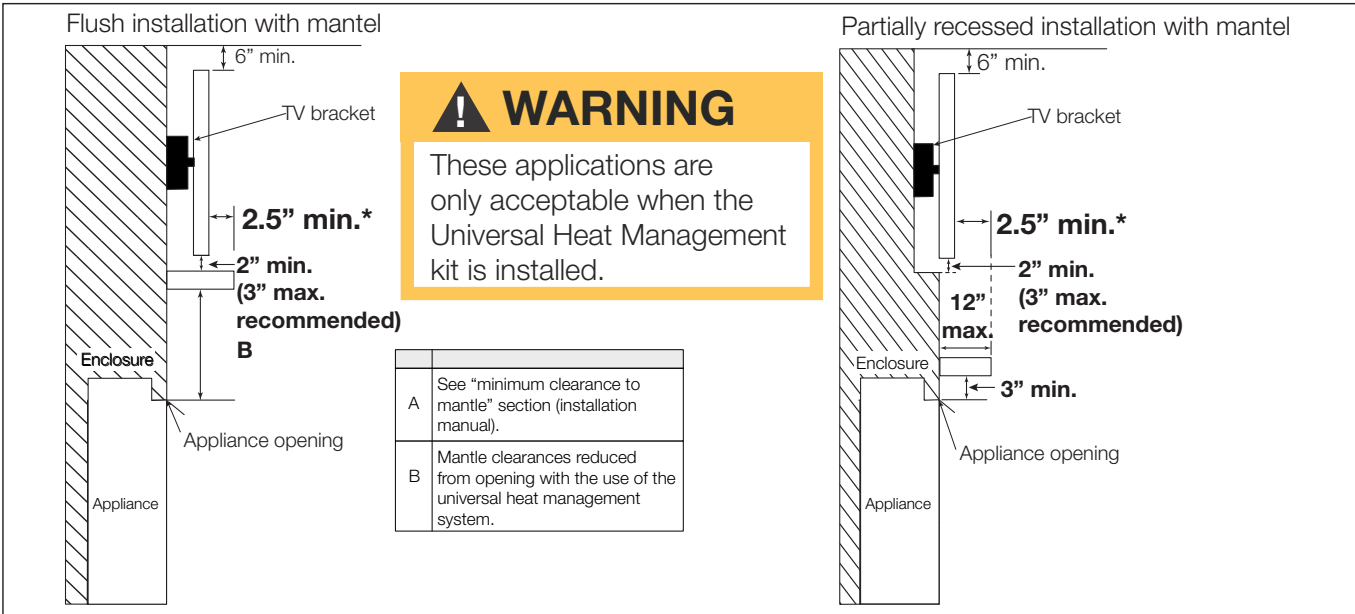
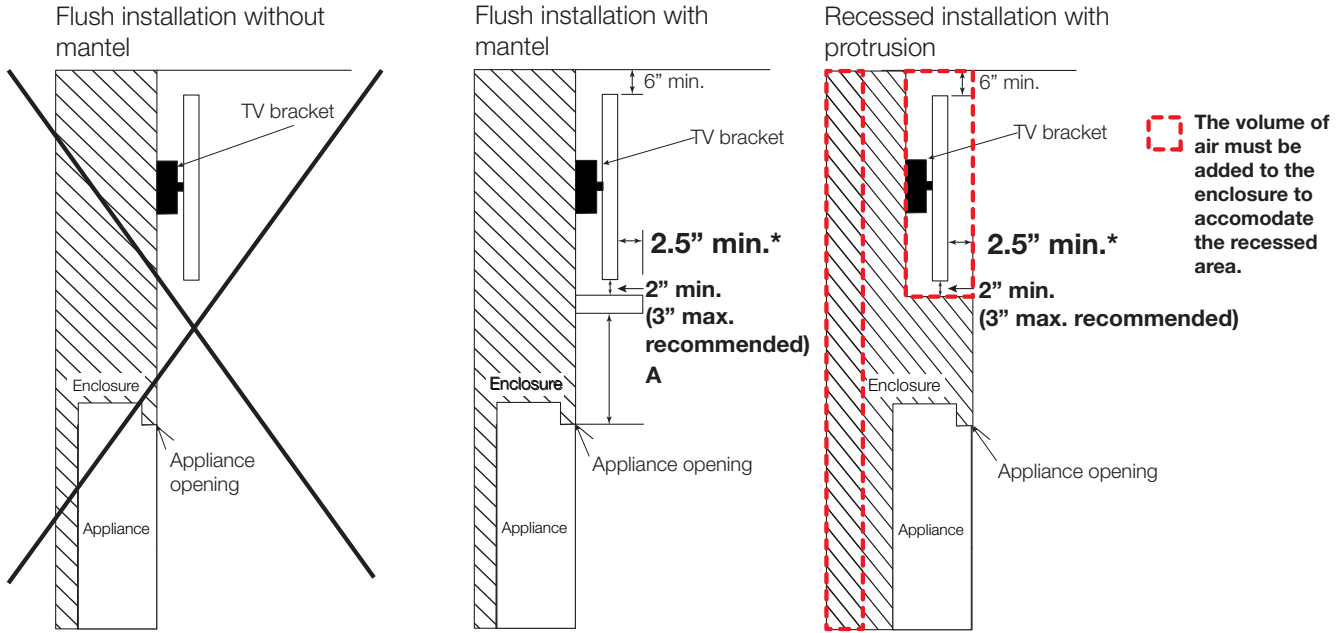
The Universal Heat Management system is an optional gravity vent kit that allows you to manage the heat produced by the appliance at and around the fireplace.

We recommend installing the Universal Heat Management system kit during the installation of the appliance **BEFORE** the gas is installed.

For more information, contact your local authorized dealer.



4.2 clearances around appliance (TV and valuable objects)



* TV applications were tested with the minimum enclosure dimensions and the maximum recess permissible. This data is provided in good faith and is not a guarantee for every application and television. Care and consideration should be taken when planning these installations to ensure the temperatures around the TV meet all manufacturer's recommended operating temperatures. Increasing the height of the mantel and/or TV above the fireplace opening, the protrusion of mantel and the volume of the enclosure all have the effect of reducing the temperature above the fireplace. **It is always recommended to use the optional heat management kit when considering mounting a television above the fireplace.**

note:

- **Electronic appliance temperatures must be validated at the time of installation** as air flow characteristics within the room can vary and maximum acceptable operating temperatures can vary from appliance to appliance. Electronic appliances cannot be used where the electronic appliance temperature exceeds the manufacturer's maximum allowable operating temperatures (see electronic appliance manufacturer's specifications). **Operating a television above the manufacturer's maximum allowable operating temperature will result in premature failure.**
- Mantel height and depth must conform to mantel clearance requirements specified in this manual, see "minimum clearance to combustible mantel" section in installation manual.
- Electronic appliance temperatures may be further reduced by increasing the horizontal distance between the front of the electronic appliance and the front edge of the mantel or by increasing dimension "A" or "B". However, increasing the gap between the top of the mantel and the bottom of the electronic appliance beyond the maximum recommended figure, typically results in higher temperatures. Minimum clearance between the mantel and bottom of the electronic appliance should be maintained to allow air circulation below and behind the electronic appliance.

! WARNING

- Turn off the gas and electrical power before servicing the appliance.
- Appliance may be hot. Do not service until appliance has cooled.
- **For qualified technicians only:**
- Label all wires prior to disconnection when servicing controls. Wiring errors can cause improper and dangerous operation. Verify proper operation after servicing.
- This appliance and its venting system should be inspected before use and at least annually by a qualified service person.
- The flow of combustion and ventilation air must not be obstructed.

DOS

- Clean your safety barrier regularly to prevent the build up of excessive lint/dust from carpeting, pet hair, etc. Vacuum using the brush attachment.
- Always use ammonia-free glass cleaners.
- Service your appliance annually and/or as required. Service must be conducted by a qualified technician.
- Keep your appliance area clear and free of combustible materials, gasoline, or other flammable vapors and liquids.
- Check to see that the burner ignites completely on all openings when turned on. A 5 to 10 second total light-up period is satisfactory. Service as required.

DON'TS

- Attempt to service the electrical or gas components. Contact a qualified technician.
- Use excessive force.
- Use abrasive cleaners on glass.
- Paint the pilot assembly.
- Place objects too close to the fireplace opening.

note:

For any questions and/or concerns regarding your appliance, maintenance and service, please contact your authorized dealer.

5.1 care of glass**! WARNING**

- Do not clean glass when hot! Do not use abrasive cleaners to clean glass.

Firebox Glass Door :

Do not use ammonia-based cleaners.

Buff lightly with a clean dry soft cloth to remove accumulated dust or fingerprints. Clean both sides of the glass after the first 4 hours of operation with an ammonia-free glass cleaner.

note:

Vinegar-based glass cleaners have demonstrated an ability to provide a clean, streak free glass surface.

Thereafter, clean as required. If the glass is not kept clean permanent discoloration and / or blemishes may result. Contact your local authorized dealer / distributor for complete cleaning instructions.

Razor blades, steel wool, or other metallic objects must not be used on both surfaces of the glass. Doing so can remove a thin layer of metal from the razor blades, steel wool, or other metallic objects that may then be deposited onto the coating. This can result in a discoloured stain or scratch-like mark. More importantly, this can scratch the glass surface, thereby reducing its strength.

Do not operate the appliance with broken glass, as leakage of flue gases may result.

Contact your local authorized dealer / distributor for complete cleaning instructions.

If the glass should ever crack or break while the fire is burning, do not open the door until the fire is out. Do not operate the appliance until the glass has been replaced. Contact you local authorized dealer / distributor for replacement parts. **DO NOT SUBSTITUTE MATERIALS.**

maintenance

Replacement glass/frame assembly shall be replaced as a complete unit as supplied by the appliance manufacturer.

This appliance is factory equipped with tempered glass. Use only replacement parts as supplied by the appliance manufacturer. **DO NOT SUBSTITUTE MATERIALS.**

5.2 care of plated parts

If the appliance is equipped with plated parts, you must clean fingerprints or other marks from the plated surfaces before operating the appliance for the first time. Use an ammonia-free or vinegar-based cleaner and a towel to clean. If not cleaned properly before operating for the first time, the marks can cause permanent blemishes on the plating. After the plating is cured, the fingerprints and oils will not affect the finish and little maintenance is required, just wipe clean as needed. Prolonged high temperature burning with the door ajar may cause discoloration on plated parts.

note:

The protective wrap on plated parts is best removed when the assembly is at room temperature but this can be improved if the assembly is warmed (i.e. using a hair dryer or similar heat source).

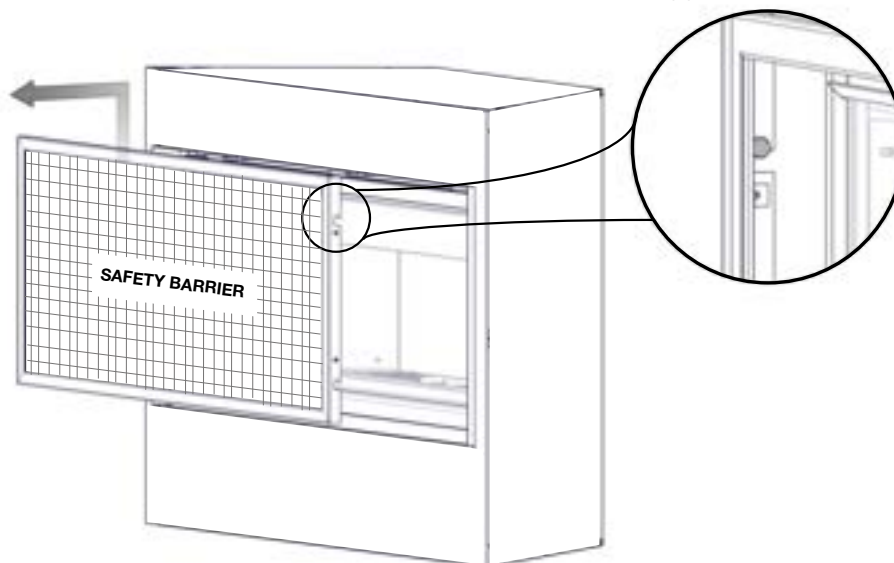
5.3 safety barrier removal

! WARNING

- Glass may be hot. Do not touch glass until cooled.
- If equipped with door latches that are part of a safety system, they must be properly engaged. Do not operate the appliance with latches disengaged.
- Facing and/or finishing materials must not interfere with air flow through air openings, louvre openings, operation of louvres, or doors/access for service. Observe all clearances when applying combustible materials.
- Before door is removed, turn the appliance off and wait until appliance is cool to the touch. Doors are heavy and fragile so handle with care.

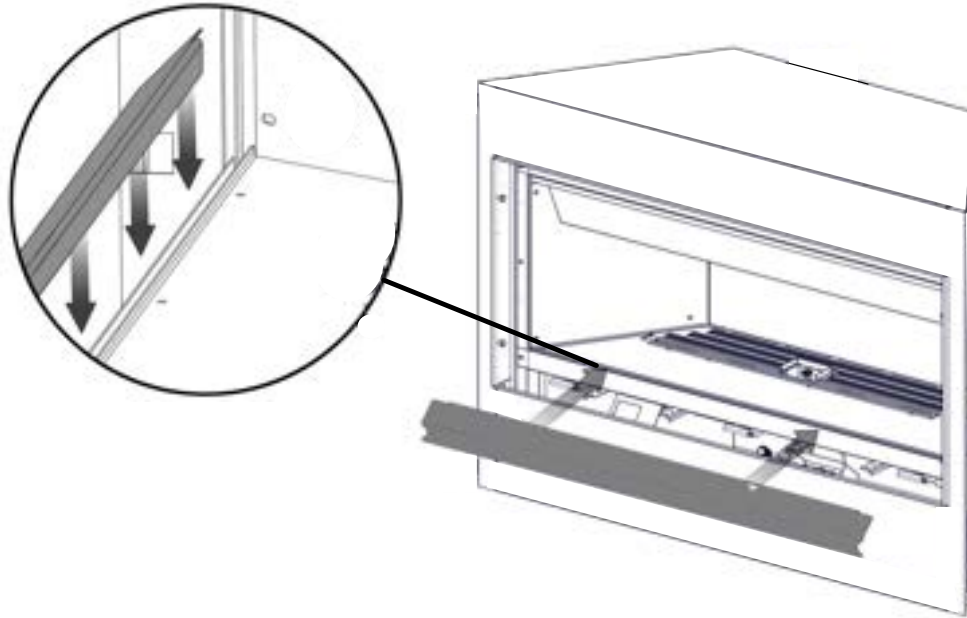
A barrier designed to reduce the risk of burns from the hot viewing glass is provided with the appliance and must be installed.

Lift the safety barrier off the four shoulder screws and remove from the appliance. Reverse this step to install.



5.4 door trim removal

To remove, slide the back edge of the door trim up and out of the glass and door frame.
 To install, slide the back edge of the door trim down between the glass and door frame. Insert downwards.

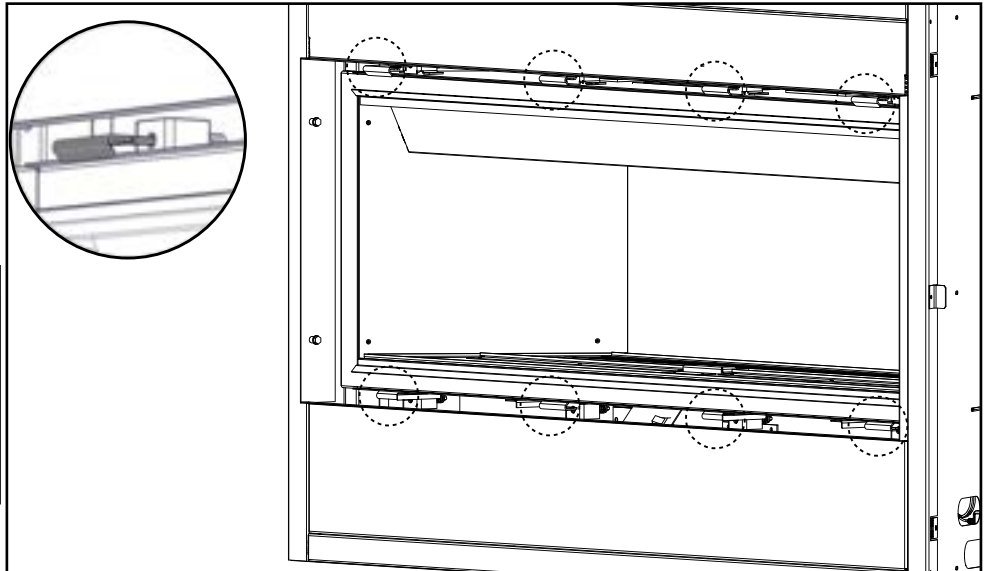


5.5 firebox glass door removal

Leave a hand on the glass door during entire door removal. The glass door is secured to the firebox with four (CBL42) or eight (CBL56) spring latches. Pull the handles of the latches forward, then lift the latches out from the door frame to release the door. Next, lift the door up until the bottom edge clears the bottom shoulder screws of the appliance. Carefully grip the top and bottom of the door lifting it off the appliance.

note:
 These spring latches make up the spring relief system for the appliance. Ensure the door opens freely and closes sealed.

note:
 When mounting the door, ensure there is equal space on both the left and the right side. This allows for easy installation of the front.



CBL56 illustrated

Reverse these steps to reinstall the door. Ensure safety screen is installed correctly.

6.0 replacement parts

WARNING

- Failure to position the parts in accordance with this manual or failure to use only parts specifically approved with this appliance may result in property damage or personal injury.

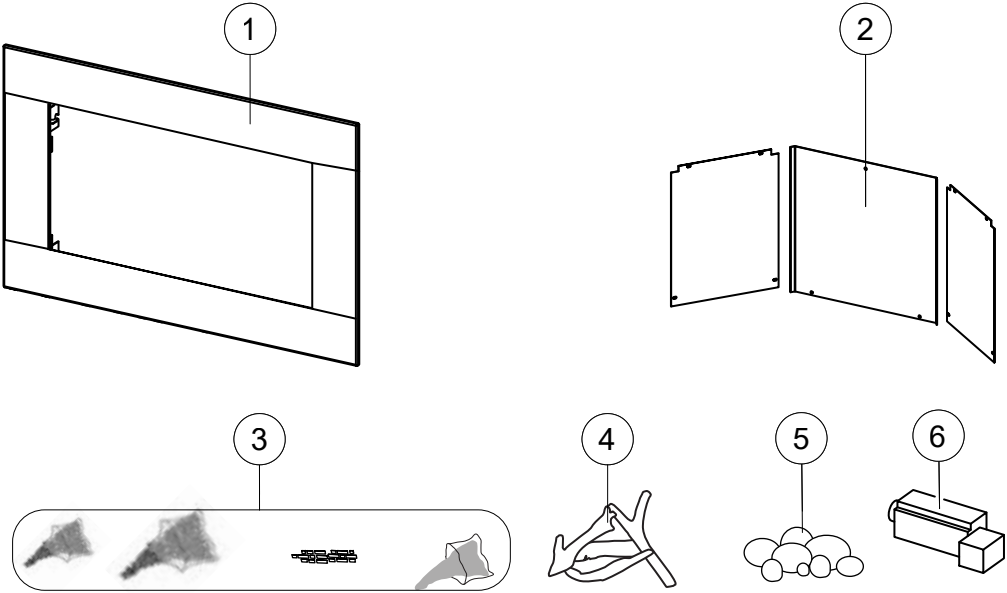
Contact your dealer for questions concerning prices and policies on replacement parts. Normally, all parts can be ordered through your Authorized dealer / distributor.

For warranty replacement parts, a photocopy of the original invoice will be required to honour the claim.

When ordering replacement parts always give the following information:

- Model & Serial Number of appliance
- Installation date of appliance
- Part number
- Description of part
- Finish

For service parts, see your Installation manual.



Items may not appear exactly as illustrated.

REF. #	Description	Part Number		Stocked
		CBL42	CBL56	
1	Classic Trim (Black)	CSL42K	CSL56K	
2	Decorative Porcelain Panel	PRPL42	PRPL56	
3	Shore Fire Kit	SFKM		Yes
4	Beach Fire Kit	BFKS	BFKM	Yes
5	Mineral Rock Kit	MRKM	MRKXL	Yes
6	Blower	GZ600KT / AUB		

8.0 troubleshooting

symptom	problem	test solution
Flame is a blue, lazy, transparent flame	Blockage in vent.	- Remove blockage. In really cold conditions, ice buildup may occur on the terminal and should be removed as required.
White / grey film forms on glass.	Sulphur from fuel is being deposited on glass, logs, or surfaces.	- Clean the glass with a recommended gas fireplace glass cleaner. DO NOT CLEAN GLASS WHEN HOT. If sulphur deposits are not cleaned off regularly, the glass may become permanently marked.
Exhaust fumes smelled in room, headaches.	Appliance may be leaking exhaust fumes into the room.	- Check firebox glass door was properly reinstalled after cleaning. If not rectified, turn off appliance. Contact a qualified technician.
Pilot will not light. Makes noise with no spark at pilot burner. (EI only)	No signal from remote with no pilot ignition.	- Reprogram receiver code. - Replace battery holder (including switch), if applicable.
Pilot sparks but will not light.	Gas supply.	- Contact a qualified technician.
	Out of propane gas.	- Fill the tank.
	Remote control (if equipped).	- Follow reprogramming instructions for specific remote installed with your appliance. - Replace remote control.
Battery holder (including switch) is in "off" position; burner comes on.	Battery holder (including wall switch) mounted upside down.	- Reverse.
	Battery holder (including switch) and/or wire is grounding.	- Replace. - Check for ground (short); repair ground or replace wire.
	Faulty wire	- Replace.
Remote control and/or battery holder (including switch) is not functioning properly.	Remote control lights but no spark or flame. (Remote is locked out).	- Reset by turning power source off then on. note: If back up batteries are installed, they must also be removed to re-program
	Battery holder (including switch) or remote has low battery.	- Replace batteries.
	Error with synchronizing.	- Reset battery holder (including switch) and remote control.
	Remote too far away from battery holder (including switch).	- Refer to "wiring diagram" section in the Installation manual.
	Flames are very aggressive.	Door is open.
Appliance won't perform any functions.	No power to the system.	- Check breaker to verify it's in the "on" position.
	Battery holder (including switch) in wrong position (if equipped).	- Verify that the 3 position switch on the battery holder (including switch) is in the remote position (middle).
	Battery holder, battery holder (including switch) and/or remote control isn't operational.	- Check battery power and battery orientation.



CONTINENTAL® GAS APPLIANCE PRESIDENT'S LIMITED LIFETIME WARRANTY

Continental® products are manufactured under the strict standard of the world recognized ISO 9001 : 2015 Quality Management System.

Continental® products are designed with superior components and materials assembled by trained craftsmen who take great pride in their work. The burner and valve assembly are leak and test-fired at a quality test station. The complete appliance is again thoroughly inspected by a qualified technician before packaging to ensure that you, the customer, receives the quality product that you expect from Continental®.

The following materials and workmanship in your new Continental® gas appliance are warranted against defects for the lifetime of the appliance, this covers: combustion chamber, heat exchanger, stainless

/ steel burner, Phazer™ logs and embers, rocks, ceramic glass (thermal breakage only), gold plated parts against tarnishing, porcelainized enameled components and aluminum extrusion trims.*

Electrical (110V and millivolt) components and wearable parts are covered and Continental® will provide replacement parts free of charge during the first year of the limited warranty. This covers: blowers, gas valves, thermal switches, switches, wiring, remote controls, ignitors, gaskets and pilot assemblies.* Any labour related to warranty repair within one year is covered.

** Construction of models vary. Warranty applies only to components included with your specific appliance.*

WARRANTY CONDITIONS AND LIMITATIONS

Continental® warrants its products against manufacturing defects to the original purchaser only. Registering your warranty is not necessary. Simply provide your proof of purchase along with the model and serial number to make a warranty claim. Continental® reserves the right to have its representative inspect any product or part thereof prior to honouring any warranty claim. Provided that the purchase was made through an authorized Continental® dealer your appliance is subject to the following conditions and limitations:

Warranty coverage begins on the date of original installation.

This factory warranty is non-transferable and may not be extended whatsoever by any of our representatives. The gas appliance must be installed by a licensed, authorized service technician or contractor. Installation must be done in accordance with the installation instructions included with the product and all local and national building and fire codes. This limited warranty does not cover damages caused by misuse, lack of maintenance, accident, alterations, abuse or neglect, and parts installed from other manufacturers will nullify this warranty.

This limited warranty further does not cover any scratches, dents, corrosion or discoloring caused by excessive heat, abrasive and chemical cleaners nor chipping on porcelain enamel parts, mechanical breakage of Phazer™ logs and embers. In the first year only, this warranty extends to the repair or replacement of warranted parts which are defective in material or workmanship provided that the product has been operated in accordance with the operation instructions and under normal conditions. After the first year, with respect to this Limited Warranty, Continental® may, at its discretion, fully discharge all obligations with respect to this warranty by refunding to the original warranted purchaser the wholesale price of any warranted but defective part(s).

After the first year, Continental® will not be responsible for installation, labour, or any other expenses related to the re-installation of a warranted part and such expenses are not covered by this warranty. Notwithstanding any provisions contained in the Limited Warranty, Continental®'s responsibility

under this warranty is defined as above and it shall not in any event extend to any incidental, consequential or indirect damages. This warranty defines the obligations and liability of Continental® with respect to the Continental® gas appliance and any other warranties expressed or implied with respect to this product, its components or accessories are excluded. Continental® neither assumes, nor authorizes any third party to assume, on its behalf, any other liabilities with respect to the sale of this product.

Continental® will not be responsible for: over-firing, downdrafts, spillage caused by environmental conditions such as rooftops, buildings, nearby trees, hills, mountains, inadequate vents or ventilation, excessive venting configurations, insufficient makeup air, or negative air pressures which may or may not be caused by mechanical systems such as exhaust fans, furnaces, clothes dryers, etc. Any damages to the appliance, combustion chamber, heat exchanger, plated trim or other components due to water, weather damage, long periods of dampness, condensation, damaging chemicals or cleaners will not be the responsibility of Continental®. All parts replaced under the Limited Warranty Policy are subject to a single claim.

All parts replaced under the warranty will be covered for a period of 90 days from the date of their installation. The manufacturer may require that defective parts or products be returned or that digital pictures be provided to support the claim. Returned products are to be shipped prepaid to the manufacturer for investigation. If a product is found to be defective, the manufacturer will repair or replace such defect. Before shipping your appliance or defective components, your dealer must obtain an authorization number. Any merchandise shipped without authorization will be refused and returned to sender. Shipping costs are not covered under this warranty. Additional service fees may apply if you are seeking warranty service from a dealer. Labour, travel diagnostic tests, shipping and other related charges are not covered by this warranty.

All specifications and designed are subject to change without prior notice due to on-going product improvements. Continental® is a registered trademark of Wolf Steel Ltd.

CONTINENTAL

24 Napoleon Road,
Barrie, Ontario,
Canada L4M 0G8

214 Bayview Drive,
Barrie, Ontario,
Canada L4N 4Y8

103 Miller Drive,
Crittenden, Kentucky,
USA 41030

7200, Route Transcanadienne,
Montréal, Québec
Canada H4T 1A3

P: 1-866-820-8686
continentalcomfort.com

MANUEL DU PROPRIÉTAIRE

Séries Linéaire
(CBL42 illustré avec le contour optionnel)



Pour l'utilisation intérieure seulement

CONSIGNES DE SÉCURITÉ

AVERTISSEMENT

RISQUE D'INCENDIE OU D'EXPLOSION

Incapacité à suivre ces avertissements exactement peuvent entraîner de grave blessures, des pertes de vie ou des dommages matériels.

- N'entreposez pas et n'utilisez pas d'essence ou autres liquides et vapeurs inflammables à proximité de cet appareil ou tout autre appareil

QUE FAIRE SI VOUS DÉTECTEZ UN ODEUR DE GAZ:

- N'allumez aucun appareil.
 - Ne touchez à aucun interrupteur électrique; n'utilisez aucun téléphone dans votre immeuble.
 - Appelez immédiatement votre fournisseur de gaz d'un téléphone voisin. Suivez ses instructions.
 - Si vous ne pouvez pas rejoindre votre fournisseur de gaz, appelez le service des incendies.
- L'installation et l'entretien doivent être faits par installateur qualifié, une agence d'entretien ou le fournisseur.

consignes de sécurité

FR

AVERTISSEMENT

- Cet appareil est chaud lorsqu'il fonctionne et peut causer de graves brûlures en cas de contact.
- Toute modification apportée à cet appareil ou aux contrôles peut être dangereuse et est interdite.
- Ne faites pas fonctionner l'appareil avant d'avoir lu et compris les instructions d'opération. Omettre d'utiliser l'appareil selon les instructions d'opération pourrait causer un incendie ou des blessures.
- Risque d'incendie ou d'asphyxie. Ne faites pas fonctionner l'appareil avec la vitre retirée.
- Ne branchez pas la soupape à du courant 110 volts.
- Risque de brûlures. L'appareil doit être éteint et refroidi avant d'effectuer un entretien.
- N'installez pas de composants endommagés ou incomplets ni des composants substitués.
- Risque de coupures et d'éraflures. Portez des gants protecteurs et des lunettes de sécurité lors de l'installation. Les bordures des pièces de métal peuvent être coupantes.
- Les enfants et les adultes devraient être informés des dangers que posent les températures de surface élevées et se tenir à distance afin d'éviter des brûlures ou que leurs vêtements ne s'enflamment.
- Les jeunes enfants doivent être surveillés attentivement lorsqu'ils sont dans la même pièce que l'appareil. Les jeunes enfants et autres personnes à risque sont sujets aux brûlures accidentelles. Une barrière de protection est recommandée si des individus à risque se trouvent dans la maison. Afin de restreindre l'accès à l'appareil, installez une barrière de protection ajustable pour garder les jeunes enfants ou autres personnes à risque hors de la pièce et loin des surfaces chaudes.
- Les vêtements et autres matériaux combustibles ne doivent pas être posés sur l'appareil ou à proximité.
- En raison des températures élevées, l'appareil devrait être placé loin des endroits passants et loin des meubles et des rideaux.
- Assurez-vous de disposer de mesures de sécurité adéquates pour empêcher les jeunes enfants de toucher aux surfaces chaudes.
- Même une fois que l'appareil est éteint, la vitre et/ou le pare-étincelles demeureront chauds pendant un temps prolongé.
- Consultez votre détaillant local de foyer pour connaître les grillages de sécurité et les écrans offerts pour protéger les enfants des surfaces chaudes. Ces grillages de sécurité et ces écrans doivent être fixés au plancher.
- Tout grillage de sécurité, écrans ou barrières enlevés pour faire l'entretien devront être remis en place avant d'utiliser l'appareil.
- Cet appareil est un appareil à gaz ventilé. Ne brûlez pas de bois ou autres matériaux dans cet appareil.
- L'emplacement de l'appareil doit être gardé libre de tous matériaux combustibles, essence ou d'autres liquides et vapeurs inflammables.
- N'utilisez pas cet appareil si une partie quelconque a été submergée. Contactez immédiatement un technicien de service qualifié pour inspecter l'appareil et pour remplacer toute pièce du système de contrôle et du contrôle du gaz qui aurait été submergée.
- Ne pas opérer l'appareil lorsque la porte vitrée est enlevée, fissurée ou brisée. Le remplacement de la vitre devra être effectué par un technicien de service certifié ou qualifié.
- Ne frappez pas et ne claquez pas la porte vitrée de l'appareil.
- Lorsqu'il est équipé avec les portes d'évacuation de pression, les portes doivent demeurer fermées pendant le fonctionnement de l'appareil afin d'empêcher les gaz de combustion contenant du monoxyde de carbone de s'infiltrer dans la maison. La température des gaz de combustion s'échappant par ces ouvertures peut aussi causer les matériaux combustibles avoisinants à surchauffer et à prendre feu.
- Seules les portes/façades certifiées pour cet appareil peuvent être utilisées avec cet appareil.
- Gardez les matériaux d'emballage hors de la portée des enfants et mettez ces matériaux au rebut de façon sécuritaire. Comme tous les emballages de plastique, ces matériaux ne sont pas des jouets et doivent demeurer hors la portée des enfants et des bébés.
- Comme dans le cas de tout appareil à combustion, il est recommandé de faire inspecter et entretenir votre appareil régulièrement. De même, installez un détecteur de monoxyde de carbone dans la pièce pour vous protéger, ainsi que votre famille, contre les intoxications.
- Assurez-vous de respecter les dégagements aux matériaux combustibles lorsque vous installez un manteau ou des tablettes au-dessus de l'appareil. Les températures élevées sur le mur ou de l'air au-dessus de l'appareil peuvent faire fondre, décolorer ou endommager les décorations, les téléviseurs ou autres composants électroniques.
- Une barrière conçue à réduire le risque de brûlures causées par le verre chaud est fourni avec l'appareil et sera installé.
- Si la barrière est endommagée, elle devra être remplacée par la barrière conçue par le fabricant pour cet appareil.
- L'installation et la réparation devraient être effectuées par un technicien qualifié. L'appareil et son système d'évacuation devraient être inspectés avant l'utilisation initiale et au moins une fois l'an par un professionnel qualifié. Un nettoyage plus fréquent peut être requis en raison de la poussière excessive laissée par les moquettes, les couvertures, etc. Il est impératif que les compartiments de contrôle, le brûleur et les passages de circulation d'air soient gardés propres afin de fournir une combustion et une circulation d'air adéquates.

 **AVERTISSEMENT: Ce produit peut vous exposer à des substances chimiques incluant le plomb et les composés de plomb qui, selon l'État de Californie, causeraient le cancer, et des substances chimiques incluant le monoxyde de carbone qui, selon l'État de Californie, causeraient des malformations congénitales ou autres dangers pour la reproduction. Pour de plus amples renseignements, visitez le www.P65Warnings.ca.gov.**

1.0	apprendre à connaître votre appareil	29
1.1	accès aux contrôles	30
1.2	information sur la plaque d'homologation	30
2.0	faite fonctionner votre appareil	31
2.1	utilisation de votre appareil	31
2.2	composants arrêt / marche	31
2.3	instructions d'opération et d'allumage	32
2.3.1	changeant les piles dans le bloc-piles	33
2.3.2	service de couverture	34
3.0	disposition de la télécommande	35
3.1	dessin générale de la télécommande	35
3.2	affichage de température	35
3.3	en cas de panne de batterie	36
3.4	piles faible	36
4.0	dégagements autour de l'appareil	37
4.1	système de gestion thermique universelle (UHM)	38
4.2	dégagement autour de l'appareil (téléviseur et objets de valeur)	39
5.0	entretien	41
5.1	soins de la vitre	41
5.2	soins des pièces plaquées	42
5.3	enlèvement / installation de la barrière de protection	42
5.4	enlèvement du panneau d'accès	43
5.5	enlèvement / installation de la porte vitrée	43
6.0	pièces de rechange	44
7.0	accessoires	45
8.0	guide de dépannage	46
9.0	garantie	47

Ce manuel est écrit pour une série de cheminées qui ont une gamme de différentes caractéristiques et spécifications. Avant de lire ce manuel, assurez-vous de que savoir quel modèle vous avez. Ces informations vont ont été remplies sur la page suivant et sur la plaque signalétique qui est fixée en permanence au foyer (voir la section « apprendre à connaître votre appareil »).

Ce manuel s'adresse au

- Modèles **CBL42** et **CBL56**

Si nécessaire, plus d'information technical est inclus dans le manuel d'installation de votre appareil.

L'information tout au long de ce manuel est censée être correctes au moment de l'impression. Wolf Steel Ltée. se réserve le droit de changer ou modifier toute information dans ce manuel à tout moment sans préavis. Modifications, autres que l'éditorial, sont signalées par un trait vertical dans la marge.

Visitez le site web de Continental pour la version le plus récent de votre manuel.

Cet appareil peut être utilisé avec le Système Universel de Gestion de la Chaleur optionnel de Napoléon. CE MANUEL **N'INCLUT PAS** d'informations détaillées concernant le système optionnel. L'encadrement et la finition ne sont PAS les mêmes. Pour plus de détails, reportez-vous aux instructions « UHM » (le Système Universel de Gestion de la Chaleur) fournies avec le kit avant de commencer l'installation.



Les piles doivent être mises au rebut conformément aux lois et à la réglementation locales. Certaines piles peuvent être recyclées et acceptées dans votre centre de recyclage local. Renseignez-vous auprès de votre municipalité au sujet des directives de recyclage.

bienvenue félicitations

Continental tient fièrement à votre confort domestique. Nous sommes fiers de dire que nos produits continuellement surpassent les normes de l'industrie et notre source d'inspiration c'est vous! Plus que tout, nous voulons vous faire sentir confiant dans le choix de Continental pour votre maison. Nos produits sont conçus pour fournir cette confiance et s'assurer que chaque produit de Continental est incomparable.

Les produits Continental sont conçus avec des composants et des matériaux de qualité supérieure, assemblés par des artisans qualifié qui sont fiers de leur travail.

Une barrière conçu à réduire le risque de brûlures à partir de la vitre chaud est à condition que avec l'appareil et **doit être installés.**

Votre appareil de Continental a été soigneusement inspecté par un technicien qualifié avant d'être emballé pour garantir que vous, le client, recevez le produit de qualité dont vous vous attendez de Continental.

Détaillant: Renseignez votre information (ou carte de visite) et l'information de l'installation de l'appareil ci-dessous.

Information du Détaillant

Nom du détaillant: _____
 Location du détaillant: _____
 Téléphone du détaillant: _____
 E-mail du détaillant: _____

Client: _____
 Adresse du Client: _____
 Date d'Installation: _____
 Location de l'appareil: _____
 Installateur: _____

**Détaillant: Location du Carte de
Visite**

N° de série: _____

Modèle:

Gaz Naturel: CBL42NTEA
 CBL56NTEA

Propane: CBL42PTEA
 CBL56PTEA

1.0 apprendre à connaître votre appareil

La zone située au-dessus de l'ouverture de la cheminée incluant la barrière de protection, le cadre de la barrière et la surface du mur peuvent devenir très chauds durant l'opération et ne pas être touchés tant que l'appareil est éteint est complètement refroidi.

! AVERTISSEMENT

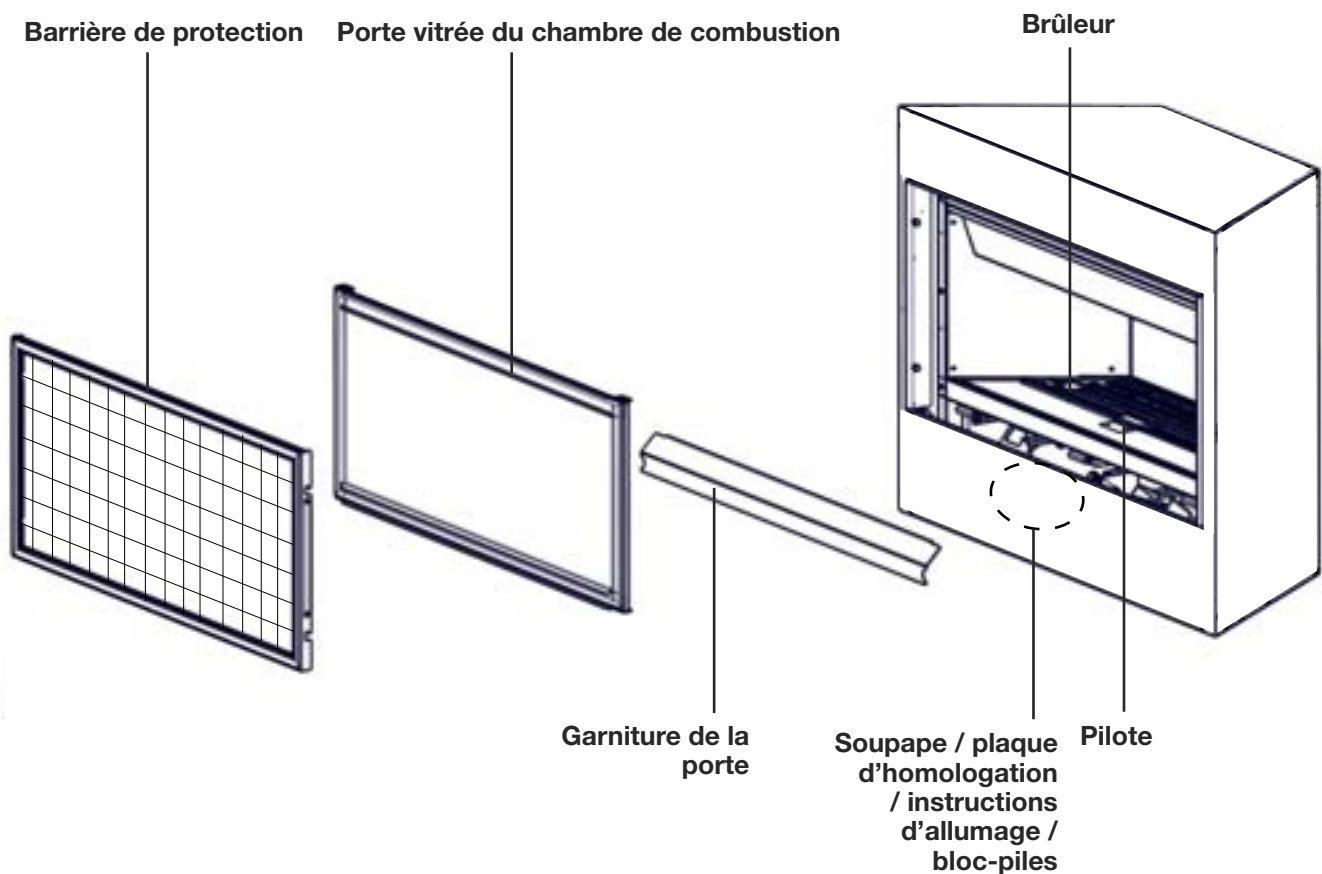
LA VITRE CHAUDE CAUSERA DES BRÛLURES.



NE PAS TOUCHER LA VITRE AVANT QU'ELLE AIT REFROIDI.

NE JAMAIS LAISSER LES ENFANTS TOUCHER LA VITRE.

Une barrière conçue à réduire le risque de brûlures causées par le verre chaud est fournie avec l'appareil et sera installée pour la protection des enfants et d'autres personnes à risque.



note:

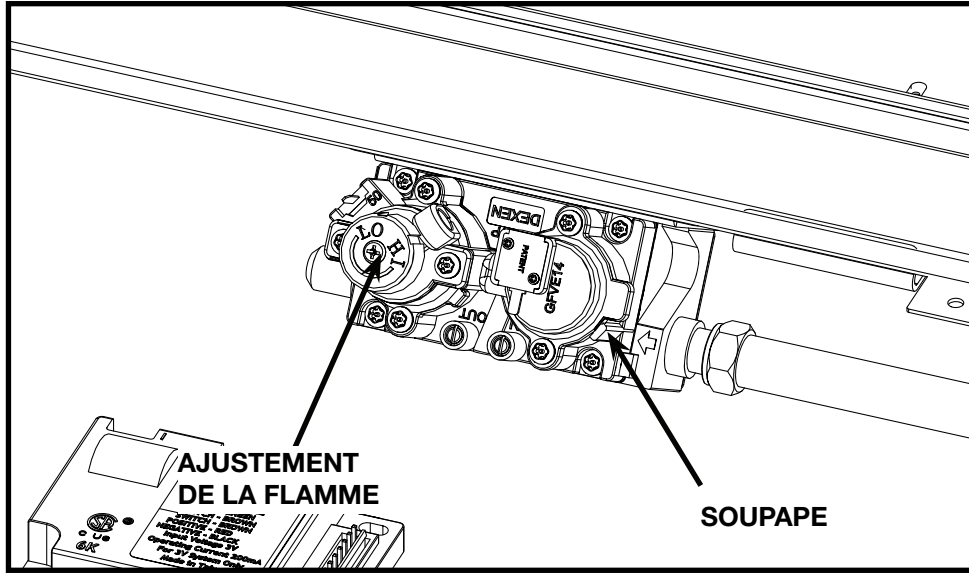
Quelques caractéristiques et locations peuvent varier dépendant de votre appareil.

apprendre à connaître votre appareil

FR

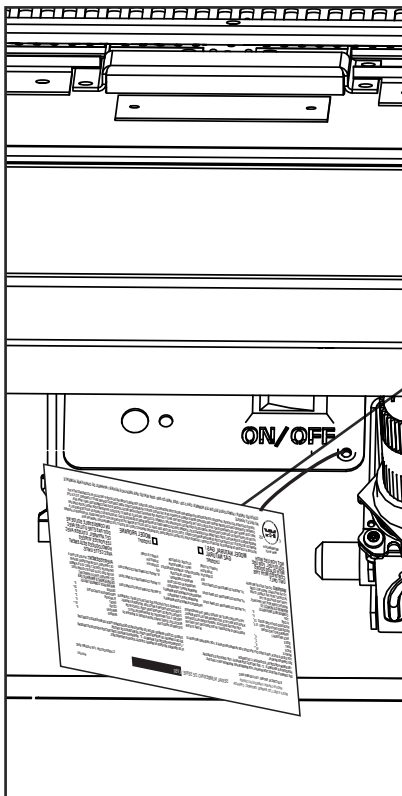
1.1 accès aux contrôles

L'accès aux contrôles peut être fait par enlever la barrière de protection, la garniture de la porte et la couvercle de contrôle (voir la section « entretien » pour les instructions d'enlèvement pour ses composants).



1.2 information sur la plaque d'homologation

Cette illustration est fournie à titre de référence seulement. Pour les renseignements exacts, consultez la plaque d'homologation fixée sur l'appareil.



Certified to Canadian and American National Standards: **CSA 2.22-XXXX / ANSI Z21.50-XXXX for Vented Decorative Gas Appliances**
 Certifié selon les normes Nationales Canadiennes et Américaines: **CSA 2.22-XXXX / ANSI Z21.50-XXXX pour les Appareils à gaz décoratif à évacuation**

Direct vent, vented gas fireplace. Approved for bedroom, bathroom and bed-sitting room installation. Suitable for mobile home installation. If installed in accordance with the current standard CAN / CSA Z240M1 Series gas equipped mobile homes in Canada, or in the United States, the Manufactured Home Construction and Safety Standard, Title 24 CFR, Part 3280. When the US Standard is not applicable, use the Standard for Fire Safety Criteria for Manufactured Home Installations, Sites and Communities, ANSI/NFPA 501A. This appliance must be installed in accordance with local codes, if any; if none, follow the current ANSI Z223.1 or CSA B140. **For use with barrier WXXX-XXXX. Follow installation instructions.**
 Foyer à gaz ventilé. Homologué pour installation dans une chambre à coucher, une salle de bain et un studio. Appropriate pour installation dans une maison mobile, selon installation conforme aux règlements de la norme CAN / CSA Z240M1 Série de maisons mobiles équipées au gaz en vigueur au Canada, ou, aux États-Unis, selon la norme 24 CFR, Part 3280, Manufactured Home Construction and Safety Standard. Dans le cas où cette norme d'États-Unis n'est pas pertinente, utiliser la norme NFPA 501A, Fire Safety Criteria for Manufactured Home Installations, Sites and Communities. Installer l'appareil selon les codes ou règlements locaux ou, en l'absence de tels règlements, selon les codes d'installation ANSI Z223.1 ou CSA B140 en vigueur. **Utiliser uniquement avec barrière WXXX-XXXX. Suivez les instructions d'installation.**

REFERENCE# 161746

VENTED DECORATIVE GAS APPLIANCE: NOT A SOURCE OF HEAT, NOT INTENDED FOR USE AS A HEATING APPLIANCE, NOT FOR USE WITH SOLID FUEL. APPAREIL À GAZ DÉCORATIF À ÉVACUATION: N'EST PAS UNE SOURCE DE CHALEUR, N'EST PAS DESTINÉ À ÊTRE UTILISÉ COMME UN APPAREIL DE CHAUFFAGE; NE CONVIENT PAS AUX COMBUSTIBLES SOLIDES.

FOR USE WITH GLASS DOORS CERTIFIED WITH THIS APPLIANCE ONLY. POUR UTILISATION UNIQUEMENT AVEC LES PORTES EN VERRE CERTIFIÉES AVEC L'APPAREIL.

For natural gas when equipped with No. XX orifice.
 For propane when equipped with No. XX orifice.
 Convient au gaz naturel quand l'appareil est muni d'un injecteur de diamètre no. XX.
 Convient au propane quand l'appareil est muni d'un injecteur de diamètre no. XX.

WARNING: Do not add any material to the appliance which will come in contact with the flames, other than that supplied by the manufacturer with the appliance.
AVERTISSEMENT: N'ajoutez pas à cet appareil aucun matériau devant entrer en contact avec les flammes, autre que celui qui est fourni avec cet appareil par le fabricant.

The appliance must be vented using the appropriate Napoleon vent kit. See installation manual for venting specifications. Proper reinstallation and resealing after servicing is necessary after servicing the vent-air intake system.
 L'appareil doit être ventilé à l'aide de l'ensemble d'évacuation propre à Napoleon. Référez au manuel d'installation pour les spécifications d'évacuation. Il est nécessaire de bien réinstaller et resceller l'évacuation après avoir exécuté l'entretien du système de prise d'air.

Serial Number / N° de Série: XXXX

WOLFSTEEL LTD. 24 Napoleon Road, Brossard, QC, L4M 0G8 Canada

W385-XXXX

note:
 La plaque d'homologation doit rester avec l'appareil à tout instant. Il ne doit pas être enlever.

2.0 faite fonctionner votre appareil

Lorsque vous utilisez votre appareil pour la première fois, il y a un rodage processus requis qui guérit les matériaux utilisés pour la fabrication de la cheminée qui peut émettre une odeur inhabituelle. Ces vapeurs sont normales lorsque vous utilisez un nouvel appareil pour la première fois. Assurer la circulation d'air suffisante est prévue au cours de la procédure de gravure.

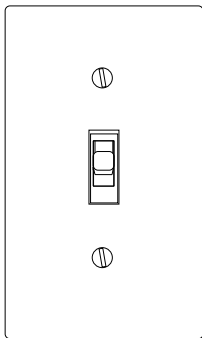
2.1 utilisation de votre appareil

Pour allumer l'appareil :

- A Allumez l'interrupteur marche/arrêt.
- B Après 3 à 5 secondes, le contrôle va commencer une étincelle à la veilleuse, allumer le pilote, puis le brûleur. La période d'allumage sera 60 dernières secondes, ou jusqu'à ce que le pilote a allumé.
- C Lorsqu'il est utilisé pour la première fois, si le processus de rodage n'était pas rempli par l'installateur faites fonctionner les appareil en permanence pendant 4 heures (burn-in).
- D Mettez l'appareil hors tension. Attendez que l'appareil est complètement refroidi avant de passer à l'étape suivante.
- E Enlever la porte de verre et barrière de sécurité et la porte vitrée. Nettoyez la porte vitrée (voir la section « entretien »). Remplacer porte vitrée et de la barrière de protection.

Pour plus d'informations, consultez votre manuel d'Installation ou de contacter votre revendeur agréé.

2.2 composants arrêt / marche



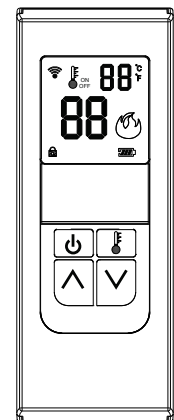
Interrupteur
marche/arrêt

(Non fourni)



Support de batterie inclus commutateur)

(Optionnel)



Télécommande

(Optionnel)



Les piles doivent être mises au rebut conformément aux lois et à la réglementation locales. Certaines piles peuvent être recyclées et acceptées dans votre centre de recyclage local. Renseignez-vous auprès de votre municipalité au sujet des directives de recyclage.

faites fonctionner votre appareil

FR

2.3 instructions d'opération et d'allumage

! AVERTISSEMENT

- Si ces instructions ne sont pas suivies à la lettre, un incendie ou une explosion pourraient s'ensuivre, causant des dommages matériels, des blessures corporelles ou des pertes de vie.
- Si applicable, allumez toujours la veilleuse, que ce soit pour la première fois ou lorsque l'approvisionnement en gaz est épuisé, avec la porte vitrée ouverte ou retirée.

Lorsqu'il est allumé pour la première fois, l'appareil dégagera une légère odeur pendant quelques heures. Cela est une condition normale temporaire causée par le conditionnement des bûches et l'évaporation des peintures et lubrifiants internes utilisés dans le processus de fabrication; elle ne se reproduira plus. Après de longues périodes sans utiliser l'appareil, comme à la suite de vacances ou à la fin de l'été, il se peut qu'une légère odeur se dégage pendant quelques heures. Ceci est causé par des particules de poussière brûlant dans l'échangeur de chaleur. Dans les deux cas, ouvrez une fenêtre pour aérer la pièce.

POUR VOTRE SÉCURITÉ, LISTEZ CE QUI SUIT AVANT D'ALLUMER L'APPAREIL:

- Ne pas allumer si des enfants ou d'autres individus à risque sont à proximité de la veilleuse.
- Cet appareil est équipé d'un dispositif d'allumage qui allume automatiquement la veilleuse. N'essayez pas de l'allumer manuellement.
- Avant d'allumer, sentez autour de l'appareil et près du plancher afin de vous assurer qu'il n'y a pas de fuite de gaz. Certains gaz sont plus lourds que l'air et se déposeront au niveau du plancher.
- N'utilisez pas cet appareil si une partie quelconque a été submergée. Contactez immédiatement un technicien qualifié pour l'inspecter et pour remplacer toute pièce du système de contrôle et du contrôle du gaz qui aurait été submergée.

QUE FAIRE SI VOUS DÉTECTEZ UNE ODEUR DE GAZ

- Coupez l'alimentation en gaz à l'appareil.
- Ouvrez les fenêtres.
- N'allumez aucun appareil.
- Ne touchez à aucun interrupteur électrique; n'utilisez aucun téléphone dans votre immeuble.
- De la maison d'un voisin, appelez immédiatement votre fournisseur de gaz et suivez ses instructions.
- Si vous ne pouvez pas rejoindre votre fournisseur de gaz, appelez le service des incendies.

INSTRUCTIONS D'ALLUMAGE

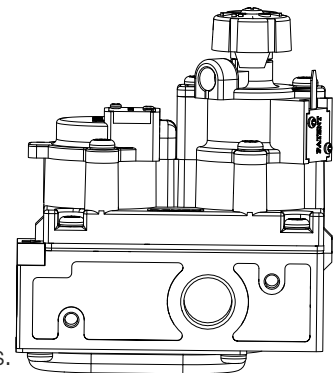
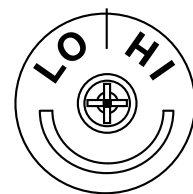
note:

Cet appareil est équipé d'un dispositif d'allumage qui s'allume automatiquement la veilleuse. N'essayez pas de l'allumer manuellement.

- A.** Arrêtez! Lisez les consignes de sécurité ci-dessus.
- B.** Enlevez tous les piles de la télécommande et réglez le thermostat au réglage minimum, si équipé.
- C.** Coupez l'alimentation électrique à l'appareil.
- D.** Ouvrir la porte de l'appareil, si équipé.
- E.** Tournez le bouton de contrôle du gaz vers la droite à « OFF ». (Elle est situé sur le connecteur flexible).
- F.** Attendez cinq (5) minutes pour que le gaz puisse s'échapper. Si vous détectez une odeur de gaz, incluant au niveau du plancher, **ARRÊTEZ!** et suivez les instructions ci-dessus « QUE FAIRE SI VOUS DÉTECTEZ UNE ODEUR DE GAZ ». Continuez à l'étape suivante si vous ne sentez pas de gaz.
- G.** Tournez le soupape fermeture manuelle vers la gauche à « ON ».
- H.** Rétablissez l'alimentation électrique à l'appareil et installez les piles dans le télécommande, si équipé. Réglez le thermostat à la position désirée, si équipé.
- I.** Tournez l'interrupteur murale de l'appareil à la position « ON ».
- J.** Si l'appareil ne fonctionne pas, suivre les instructions de « couper l'alimentation de gaz » et puis appelez votre technicien de service ou fournisseur de gaz.

COUPEZ L'ALIMENTATION DE GAZ

- A.** Réglez le thermostat à la réglage le plus bas, si équipé.
- B.** Tournez l'interrupteur murale de l'appareil à la position « OFF ».
- C.** Coupez l'alimentation électrique à l'appareil si un travail d'entretien doit être faites.
- D.** Tournez le soupape fermeture manuelle vers la gauche « OFF ». Ne forcez pas.



2.3.1 changeant les piles dans le bloc-piles

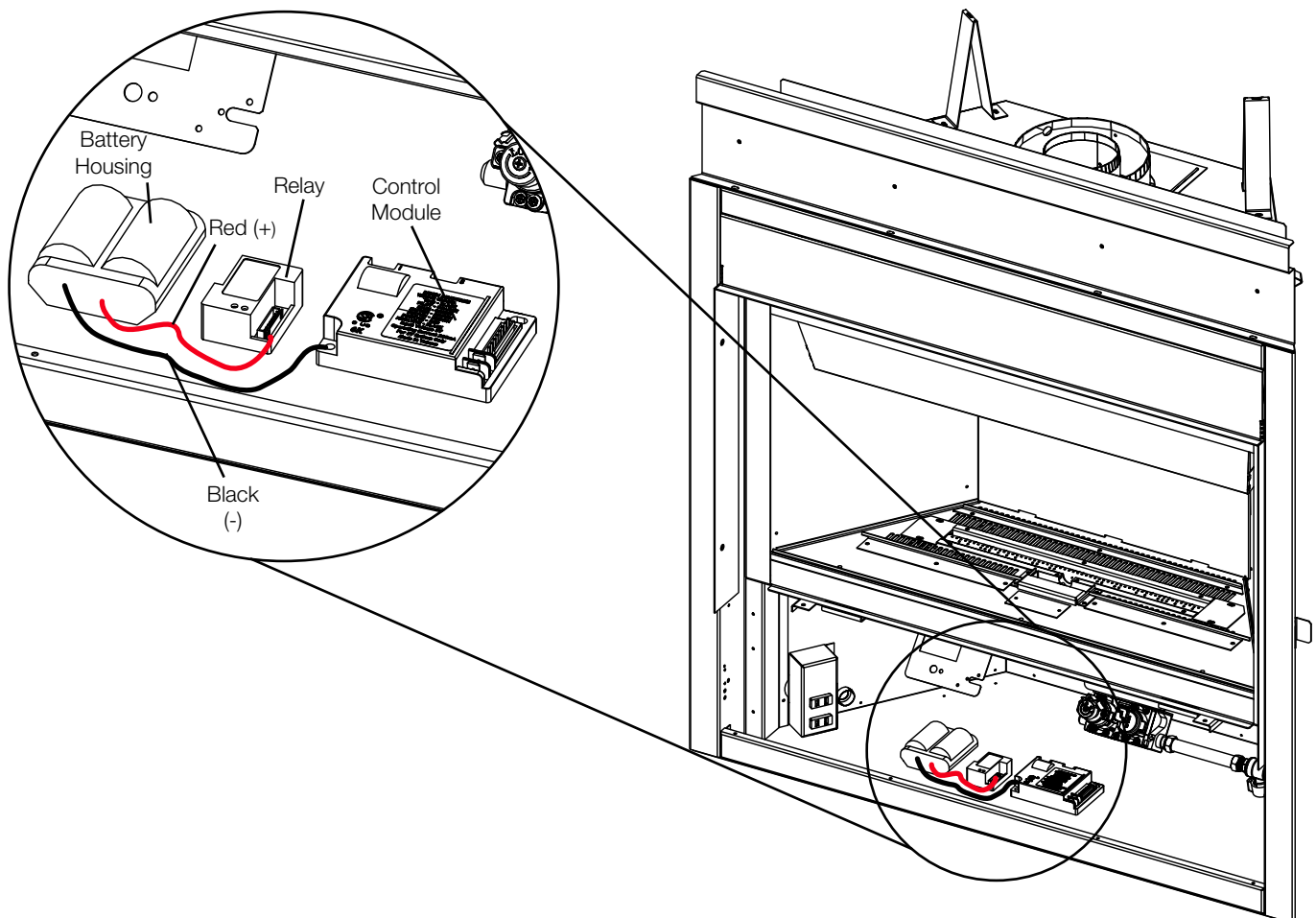
! AVERTISSEMENT

- Assurez-vous que l'alimentation électrique et la gaz à l'appareil est éteint.
- Assurez-vous que l'appareil est complètement refroidi avant de commencer service.

note:

En cas d'une panne de courant, votre appareil peut fonctionner utilisant le sauvegarde de pile fourni.

- Retirez l'écran de protection pour accéder facilement au compartiment de contrôle.
- Coupez l'approvisionnement en gaz et l'alimentation électrique de l'appareil.
- Trouvez la sauvegarde de piles dedans le compartiment de soupape.
- Installez 2 piles alcalines « D » (non fournies) dans la sauvegarde de piles. Assurez-vous que les fins positives et les fins négatives correspondent à celles identifiées sur la sauvegarde de piles.
- Branchez l'approvisionnement en gaz et l'alimentation électrique à l'appareil pour faire fonctionner l'appareil.
- Réinstallez l'écran de protection. L'écran de protection doit être installé tous le temps pendant l'opération de l'appareil.



faites fonctionner votre appareil

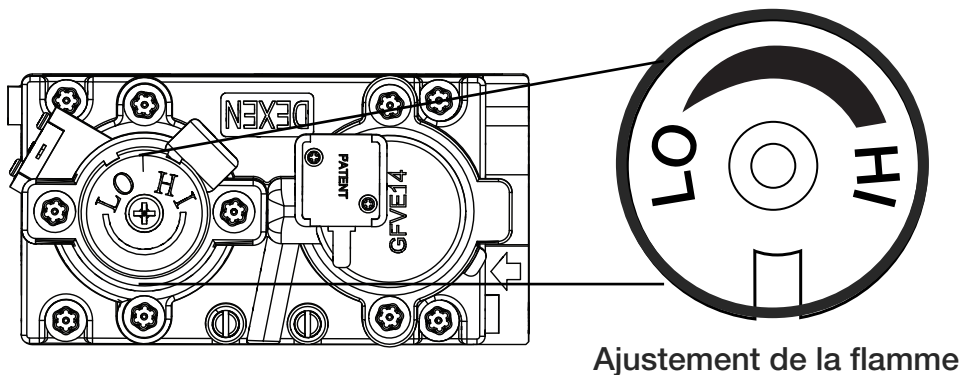
FR

2.3.2 service de couverture

Des ajustements manuels doit être fait seulement lorsque l'appareil est éteint et complètement refroidi. Permettre à la barrière de protection refroidir avant d'effectuer le réglage.

Les modèles CBL42 et CBL56 sont équipées d'un bouton de commande de gaz manuel (situé sur la vanne) qui ajuste la hauteur de la flamme en fonction de vos préférences. Pour accéder à la manette de gaz, retirer votre barrière de sécurité, contrôle couvercle et porte garniture (voir la section « entretien » pour obtenir des instructions sur la façon de supprimer ces composants.

Utilisez seulement votre main pour tourner la manette des gaz (ne jamais utiliser des outils). Si le bouton ne tournera pas à la main, n'essayez pas de le réparer. Contacter un technicien qualifié.



Une télécommande optionnelle est disponible pour faire marcher et s'éteindre l'appareil sans avoir enlever la barrière de protection, référez les instructions fournies avec la télécommande.

3.0 disposition de la télécommande

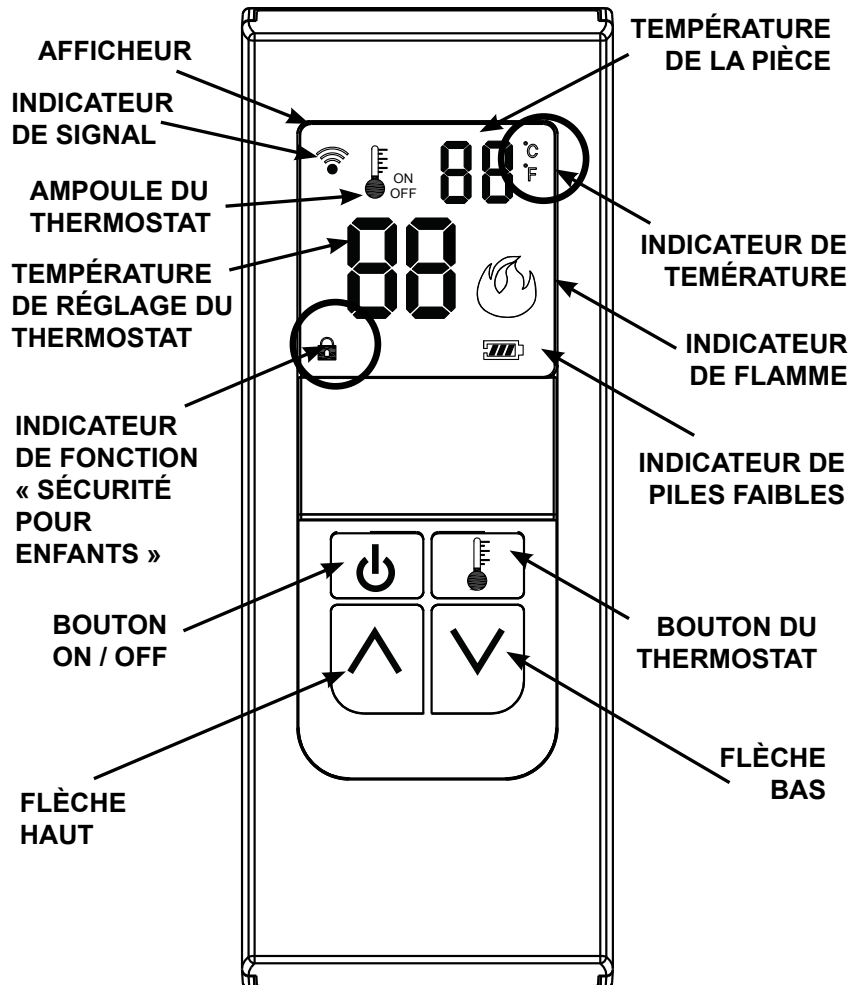
3.1 dessin générale de la télécommande

FR

note:

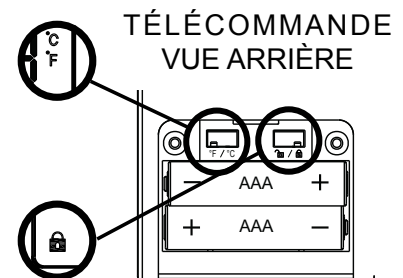
La télécommande est optionnel pour les modèles CBL42 et CBL56.

L'interrupteur du récepteur doit être en position « **REMOTE** » pour que la télécommande fonctionne. Le système de télécommande fonctionne par radiofréquences qui sont envoyées par la télécommande au récepteur. Il est recommandé que la distance entre la télécommande et le récepteur n'excède jamais 20' et 10' si le récepteur est situé dans la cavité intérieure ou extérieure du foyer autour d'un encastré. Des piles faibles réduiront également la distance de fonctionnement.



3.2 affichage de température

Retirez le couvercle des piles au dos de la télécommande afin d'avoir accès à l'interrupteur °C/°F. Placez l'interrupteur au mode désiré. Le mode de température choisi apparaîtra dans le coin supérieur droit, à côté de la température de la pièce.



faites fonctionner votre appareil

FR

3.3 en cas de panne de batterie

Si les piles du récepteur tombent en panne, l'appareil ne s'allume ou ne s'éteint plus. Pour faire fonctionner l'appareil en cas de panne de batterie, l'interrupteur à glissière situé sur le récepteur peut être mis en position «ON» pour faire fonctionner l'appareil.

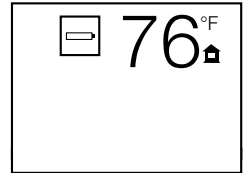
3.4 piles faible

La durée de vie des piles peut dépendre de plusieurs facteurs: la qualité des piles, le nombre d'allumages, le nombre de changements de réglage du thermostat de la télécommande, etc.

Lorsque les piles de la télécommande sont faibles, l'icône de pile apparaîtra sur l'afficheur ACL avant que les piles soient complètement déchargées. Une fois que les piles sont remplacées, cette icône disparaîtra.

Lorsque les piles du récepteur sont faibles, celui-ci n'émettra pas de « bip » lorsqu'il recevra une commande « **marche/arrêt** ». Ceci est pour vous signaler que les piles du récepteur sont faibles. Lorsque les piles sont remplacées, le récepteur émettra un « bip » lorsque la touche **marche/arrêt** est appuyée.

Si les piles dans le bloc-piles ou dans la télécommande sont faibles, vous pouvez allumer l'appareil manuellement en glissant le commutateur à glissière du bloc-piles à la position « **on** ». Ceci contournera la fonction de la télécommande, et le brûleur principal de l'appareil s'allumera si la soupape de gaz est à la position « **on** ».



4.0 dégagements autour de l'appareil

FR

! AVERTISSEMENT

- Votre appareil, raccordement gaz/électrique, ventilation et divers composants clés sont cachés derrière le mur. Il est essentiel qu'aucune vis pénètrent ces composants. Non-respect des instructions peut provoquer un fonctionnement incorrect, dommages, blessures ou feu. Utilisez toujours un localisateur de montants et seulement visser dans les montants.

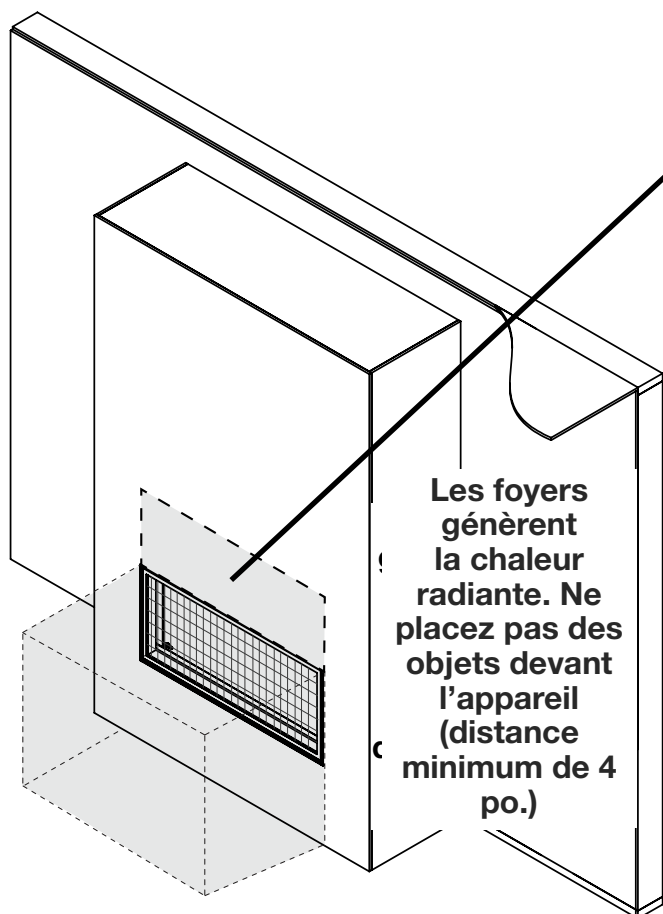
Sans prendre les dispositions adéquates pour tenir compte de la chaleur, les températures au-dessus de la cheminée sera chauds, rendant impropres pour le montage d'un téléviseur ou autres objets sensibles à la chaleur sans risques de dommages.

Installation d'un manteau de cheminée entre cet appareil et électronique ou d'autres matériaux qui peut-être être sensibles à la chaleur réduira l'effet de la chaleur directe sur eux.

La taille et le matériel du manteau affecteront le jeu autorisé au-dessus de votre cheminée et un positionnement incorrect pourrait devenir un risque d'incendie. Consultez votre revendeur autorisé et/ou votre manuel d'installation pour plus d'informations avant d'installer un manteau, une étagère, ou n'importe quel autre objet au-dessus de votre appareil.

Votre cheminée, de branchements gaz/électriques et de ventilation sont cachés derrière le mur fini. Il faut en grand pour éviter de visser ou clouer dans ces composants. Utilisez toujours un localisateur de montants pour déterminer l'emplacement des montants et seulement visser dans les montants.

Ne pas visser dans les environs de l'ouverture de l'appareil car une partie de votre appareil peut être cachée derrière le mur fini. Référez-vous à votre manuel d'installation et/ou contactez votre revendeur local pour plus d'information.



! AVERTISSEMENT

La zone située au-dessus de la cheminée devient chaude. Objets combustibles ne doivent jamais être placés dans ce domaine. Pour les exigences minimaux, référez au manuel d'installation ou de votre revendeur agréé.

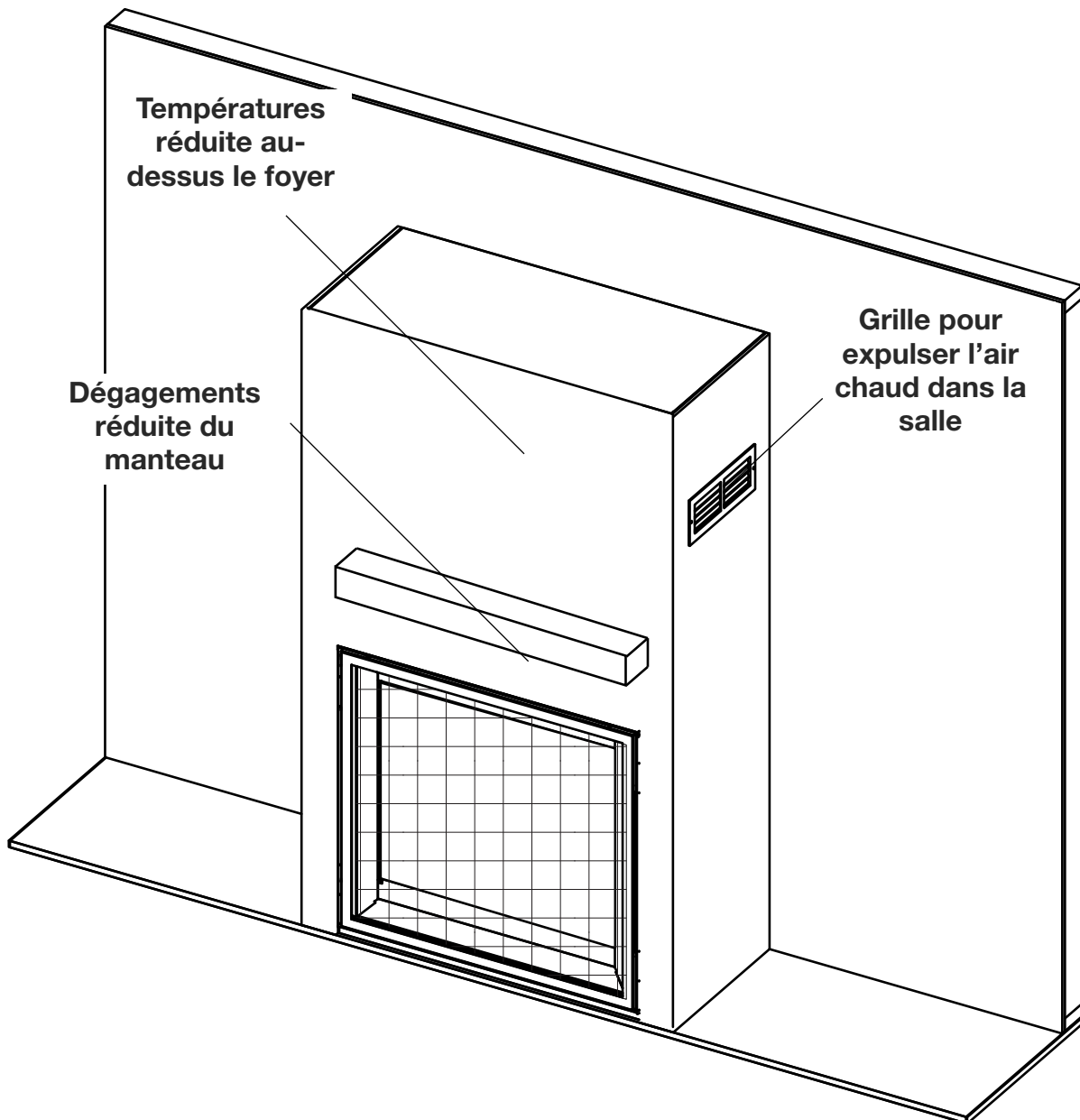
dégagements autour de l'appareil

FR 4.1 système de gestion thermique universelle (UHM)

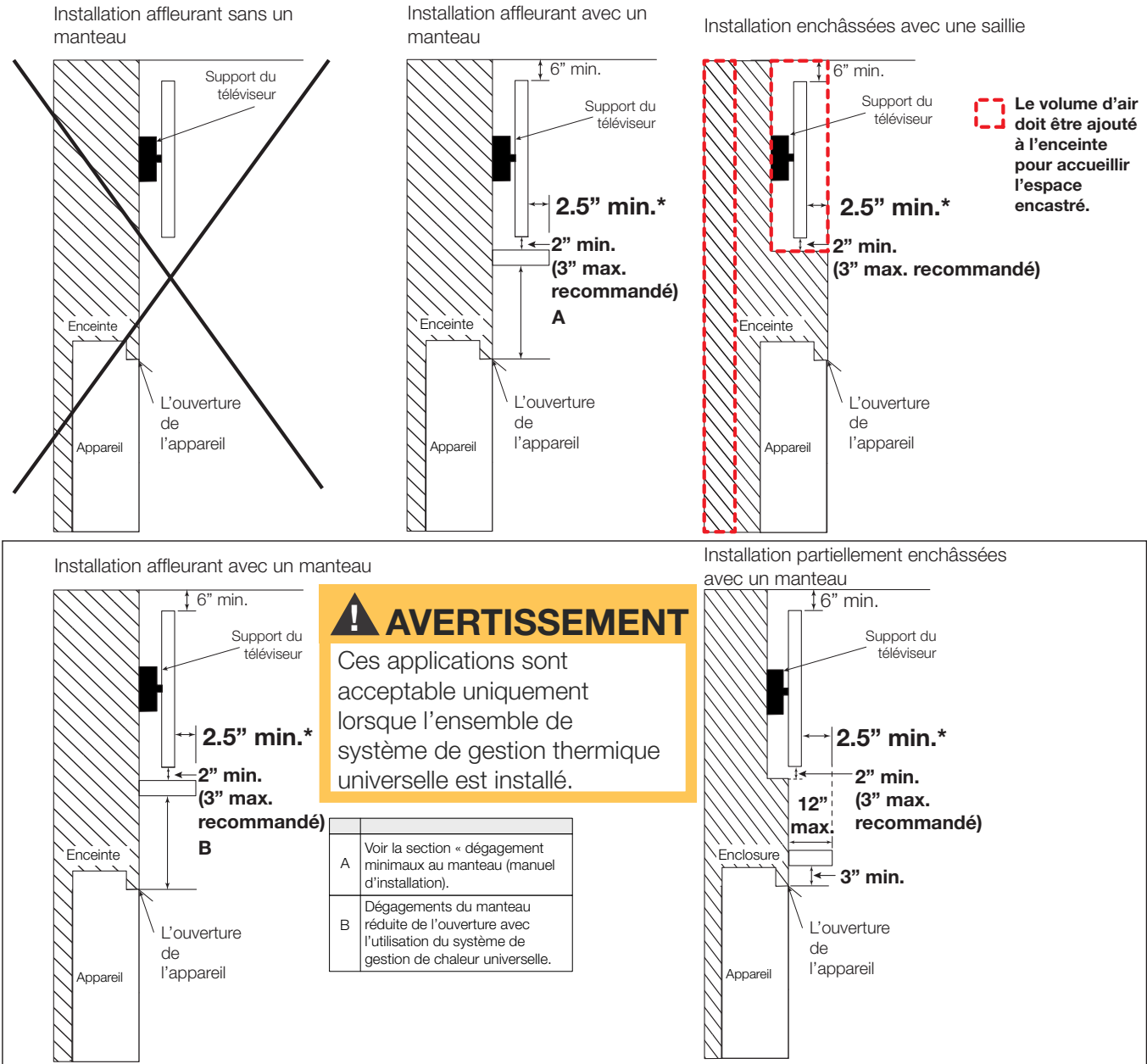
Le système de gestion thermique universelle est un ensemble optionnel d'évent par gravité permettant de gérer la chaleur produite par l'appareil à l'ouverture du foyer et autour.

Nous recommandons d'installer l'ensemble du système de gestion thermique universelle pendant l'installation de l'appareil **AVANT** que le gaz de l'appareil est installé.

Pour plus d'information, consultez votre détaillant local autorisé.



4.2 dégagement autour de l'appareil (téléviseur et objets de valeur)



* Les applications avec un téléviseur ont été testés avec les dimensions d'enceinte minimaux et l'encasté maximum permissible. Les données sont fournis de bonne foi et ne constituent pas une garantie pour chaque application et téléviseur. Lors de la planification de ces installations, l'attention et les considérations doivent être prises pour garantir que les températures autour du téléviseur respectent toutes les températures de fonctionnement recommandées par le fabricant. L'augmentation de la hauteur de la tablette et/ou la hauteur du téléviseur au-dessus de l'ouverture du foyer, le protrusion de la tablette et le volume de l'enceinte ont tous pour effet de réduire la température au-dessus du foyer. **Il est toujours recommandé d'utiliser l'ensemble de gestion de la chaleur (optionnel) lorsque vous envisagez de monter un téléviseur au-dessus du foyer.**

dégagements autour de l'appareil

FR

note:

- Il s'agit des dégagements minimaux recommandés; ceux-ci sont fournis de bonne foi et ne constituent pas une garantie de conformité aux températures de fonctionnement maximales autorisées par le fabricant du téléviseur. Conformez-vous toujours aux exigences du fabricant du téléviseur.
- **Les températures du téléviseur doivent être validées au moment de l'installation**, car les caractéristiques de débit d'air dans la pièce peuvent varier et les températures de fonctionnement maximales acceptables peuvent varier d'un appareil à l'autre. Le téléviseur ne peut pas être utilisé lorsque sa température dépasse les températures de fonctionnement maximales autorisées par le fabricant (voir les caractéristiques techniques du fabricant du téléviseur).
- La hauteur et la profondeur du manteau doivent être conformes aux exigences de dégagements du manteau précisées dans ce manuel, consultez la section « dégagements minimal au manteau combustible » dans le manuel d'installation.
- La dimension « A » représente l'écart entre le haut de la bride de finition et le bas du téléviseur, à partir du haut de l'ouverture du foyer.
- Les températures du téléviseur peuvent être encore réduites en augmentant la distance horizontale entre l'avant du téléviseur et le bord avant du manteau, ou alors en augmentant la dimension « A ». Toutefois, l'augmentation de l'écart entre le haut du manteau et le bas du téléviseur au-delà de la valeur maximale recommandée entraîne généralement des températures plus élevées. Le dégagement minimale entre le manteau et le bas du téléviseur doit être maintenu pour permettre la circulation de l'air.

! AVERTISSEMENT

- Coupez l'alimentation en gaz et l'alimentation électrique avant de procéder à l'entretien de l'appareil.
 - L'appareil peut être chaud. Attendez qu'il soit refroidi avant d'en faire l'entretien.
- Pour les techniciens qualifié seulement:**
- Lors de l'entretien des contrôles, assurez-vous d'identifier chacun des fils avant de les débrancher. Une réinstallation incorrecte des fils peut occasionner un mauvais fonctionnement et être dangereuse.
 - Cet appareil est son système d'évacuation devraient être inspectés avant la première utilisation et au moins une fois l'an par un technicien service qualifié.
 - Les apports d'air comburant et d'air de convection ne doivent pas être obstrués.

IL FAUT

- Nettoyez votre barrière de protection régulièrement pour prévenir les peluches/poussières provenant des tapis, des animaux, etc. Il suffit de passer l'aspirateur à l'aide de l'embout avec une brosse.
- Toujours utilisez des nettoyants à vitres sans ammoniaque.
- Nécessitez un entretien qui devra être effectué sur une base annuelle. L'entretien doit être conduit pas un technicien qualifié.
- Laissez l'espace entourant l'appareil propre et libre de matériaux combustibles, d'essence ou autres liquides et vapeurs inflammables.
- Vérifiez si le brûleur allume sur tous les orifices lorsque l'appareil marche. Un temps d'allumage total de 5 à 10 seconds est satisfaisant. Service selon les besoins.

IL NE FAUT PAS

- Essayez d'entretenir l'électrique ou des composants de gaz. Contacter un technicien qualifié.
- Utilisez une force excessive.
- Utilisez de nettoyants abrasifs sur verre.
- Peinturez l'ensemble du pilote.
- Placez pas les objets trop près de l'ouverture de la cheminée.

note:

Pour toute question ou des préoccupations au sujet de votre appareil, l'entretien et le service, contacter votre détaillant agréé.

5.1 soins de la vitre

! AVERTISSEMENT

- Nettoyer pas la vitre lorsqu'elle est chaude! N'employez pas de détergents abrasifs pour nettoyer la vitre.

Porte vitrée du chambre de combustion :

N'utilisez pas les nettoyeurs sans ammoniaque.

Polissez légèrement à l'aide d'un linge propre et sec pour enlever la poussière et les traces de doigts. Nettoyez les deux côtés de la vitre avec un nettoyant sans ammoniaque après les quatre premières heures de fonctionnement.

note:

Les nettoyants à base de vinaigre procurent habituellement une surface propre et sans traces.

Par la suite, nettoyez aussi souvent qu'il le faudra, sinon la vitre risque de rester marquée en permanence. Contactez votre revendeur/distributeur agréé local pour obtenir des instructions de nettoyage complètes.

Ne touchez pas la surface intérieure ou extérieure de la vitre avec des lames de rasoir, de la laine d'acier ou d'autres objets métalliques puisque la mince couche de métal retirée de l'objet pourrait se déposer sur le revêtement causant une décoloration ou une égratignure. Plus important encore, cela peut rayer la surface du verre réduisant ainsi sa puissance.

Ne pas faire fonctionner l'appareil avec la vitre brisée, les fuites de gaz de combustion peut résulter.

Contactez votre détaillant local autorisé pour les instructions de nettoyage complètes.

Si la vitre devait fissurer pendant que le feu brûle, n'ouvrez pas la porte jusqu'à ce que le feu s'éteigne et n'utilisez pas l'appareil jusqu'à ce que la vitre ait été remplacée par une nouvelle, disponible chez votre détaillant autorisé. **N'UTILISEZ PAS DE MATÉRIAUX SUBSTITUTS.**

entretien

FR

L'ensemble de verre/cadre de remplacement est remplacé comme une unité cinplète telle que fournie par le fabricant de l'appareil.

L'appareil est muni d'une vitre en verre trempé. Remplacez uniquement avec une vitre certifiée pour le foyer disponible chez votre détaillant. **N'UTILISEZ PAS DE MATÉRIAUX SUBSTITUTS.**

5.2 soins des pièces plaquées

Si l'appareil est muni de pièces plaquées, vous devez enlever toutes traces de doigts ou autres marques des surfaces plaquées avant d'allumer l'appareil pour la première fois. Utilisez les nettoyeurs sans ammoniaque ou à base de vinaigre. Si la surface plaquée n'est pas bien nettoyée avant le premier allumage de l'appareil, elle risque de rester marquée en permanence. Une fois que la surface plaquée aura chauffé, les traces de doigts et le gras n'affecteront plus la surface et très peu d'entretien sera requis; vous n'aurez qu'à l'essuyer au besoin. Une combustion prolongée à haute température avec la porte ouverte peut causer une décoloration des pièces plaquées.

note:

L'emballage de protection sur les pièces plaquées s'enlève mieux lorsque l'assemblage est à température ambiante ou lorsqu'il est chauffé (c.à.d. avec un séchoir à cheveux ou une autre source de chaleur similaire).

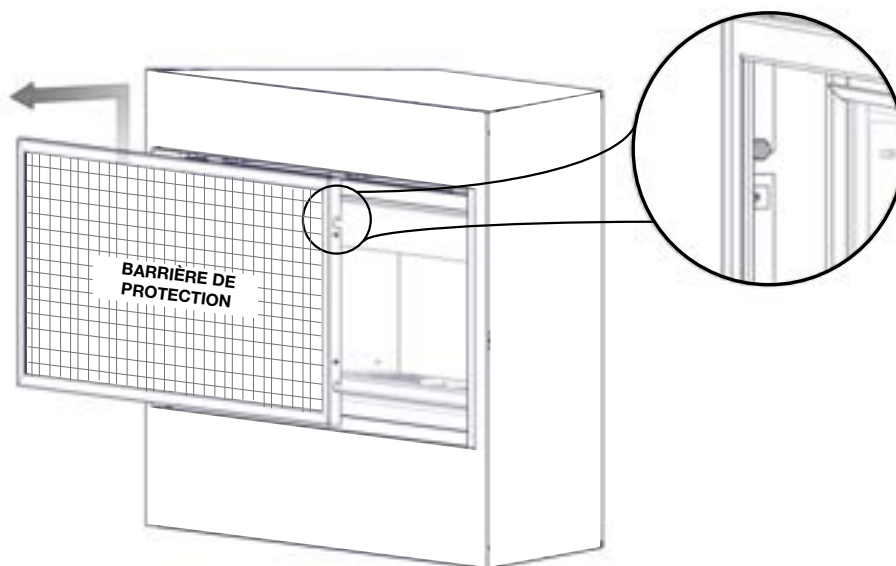
5.3 enlèvement / installation de la barrière de protection

! AVERTISSEMENT

- La vitre peut être chaude. Ne touchez pas la vitre jusqu'à ce qu'elle ait refroidi.
- Si équipé avec les loquets de porte qui font partie d'un dispositif de sécurité, ils doivent être adéquatement verrouillés. Ne faites pas fonctionner l'appareil lorsque les loquets sont déverrouillés.
- Les matériaux de façade et de finition ne doivent pas nuire à la circulation de l'air dans les ouvertures d'air et les persiennes, ni au fonctionnement des persiennes ou des portes ni l'accès pour l'entretien. Respectez tous les dégagements aux matériaux combustibles
- Avant d'enlever la porte, éteignez l'appareil et attendez que ce dernier soit froid au toucher. Les portes sont lourdes et fragiles; manipulez avec soin.

Une barrière conçue à réduire le risque de brûlures à partir de la vitre chaude est à condition que avec l'appareil et sera être installés.

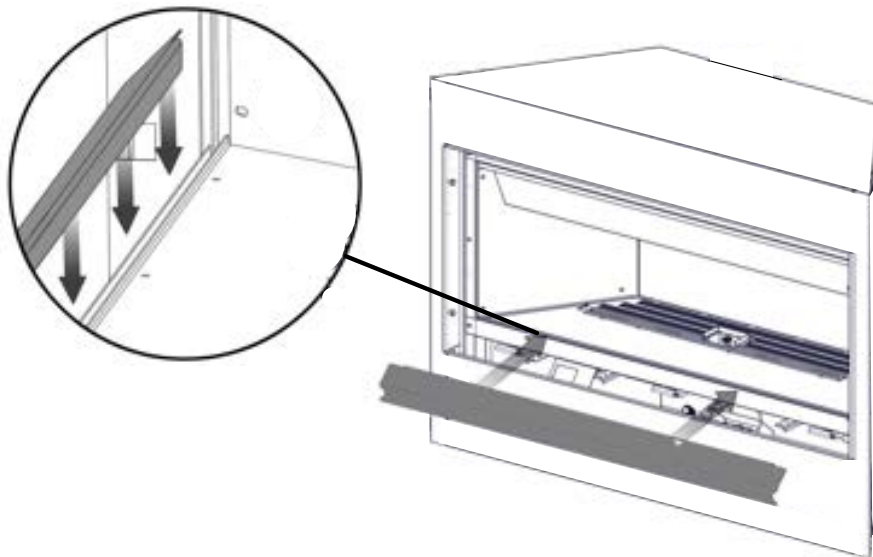
Soulevez la barrière de protection hors des quatre goupilles puis inclinez la partie haut de la porte vitrée et enlevez-la de l'appareil. Inversez ces étapes pour réinstaller la barrière de protection.



5.4 enlèvement du panneau d'accès

Pour enlever, glissez le rebord arrière du panneau d'accès vers le haut et hors de l'appareil.

Pour installer, glissez le rebord arrière du panneau d'accès vers le bas entre la vitre et le cadre de la porte. Insérez-le en le glissant vers le bas.



5.5 enlèvement / installation de la porte vitrée

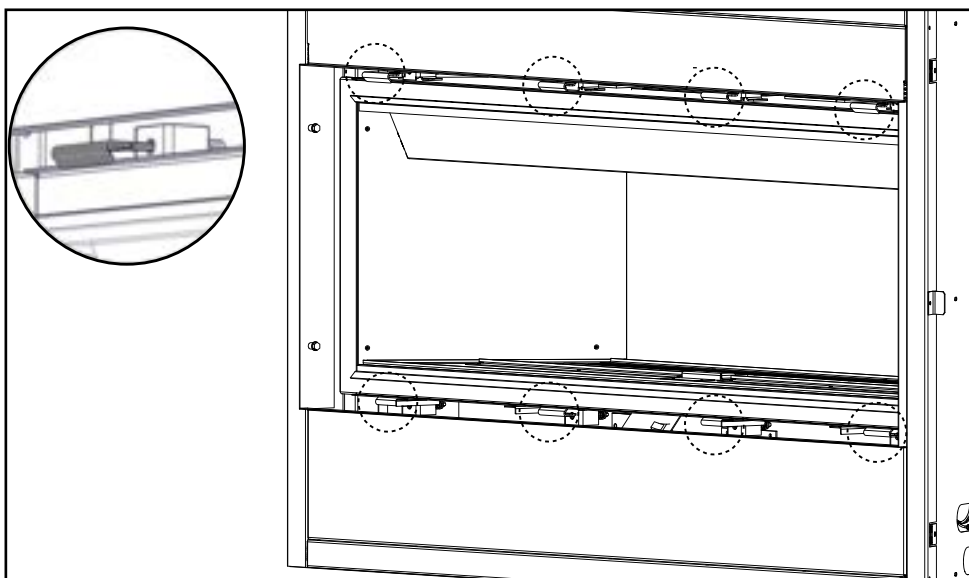
Laissez une main sur la porte vitrée pendant l'enlèvement de la porte. La porte vitrée est maintenue en place par quatre (CBL42) ou six (CBL56) loquets. Tirez les poignées des loquets vers l'avant, puis retirez les loquets du cadre de porte afin de libérer la porte. Pivotez ensuite le haut de la porte vers l'avant jusqu'à ce que vous puissiez saisir les côtés. Soulevez la porte hors du dispositif de retenue inférieur.

note:

Ce système de décharge constitue le système de secours de l'appareil. Vérifiez si le système de décharge effectue efficacement.

note:

Lorsque vous installez la porte, assurez-vous que l'espacement sur les côtés gauche et droit soit égal. Ceci facilitera l'installation de la façade.



CBL56 illustré

Inversez ces étapes pour réinstaller la porte. Assurez-vous que la barrière de protection est correctement installée.

6.0 pièces de rechange

FR



AVERTISSEMENT

- Omettre de positionner les pièces conformément à ce manuel ou d'utiliser uniquement des pièces spécifiquement approuvées pour cet appareil peut causer des dommages matériels ou des blessures corporelles.

Contactez votre détaillant pour les questions concernant les prix et la disponibilité des pièces de rechange. Normalement, toutes les pièces peuvent être commandées chez votre détaillant autorisé.

Pour un remplacement de pièce sous garantie, une photocopie de la facture originale sera requise afin de pouvoir honorer la demande.

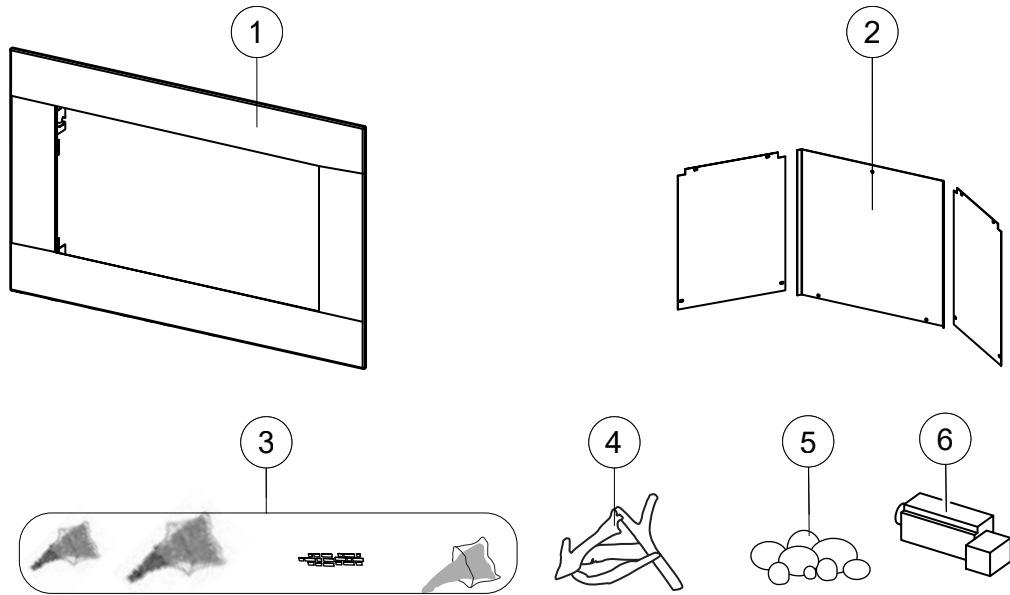
Lorsque vous commandez des pièces, donnez toujours l'information suivante:

- Modèle et numéro de série de l'appareil
- Date d'installation de l'appareil
- Numéro de pièce
- Description de la pièce
- Fini

Pour les pièces de service, voir votre manuel d'installation.

7.0 accessoires

FR



Ces articles peut différer de celle illustré.

Réf.	Description	No. de pièce		En Stock
		CBL42	CBL56	
1	Moulure classique (Noir)	CSL42K	CSL56K	
2	Ensemble de Panneau en porcelain	PRPL42	PRPL56	
3	Ensemble Shore Fire	SFKM		Oui
4	Ensemble Beach Fire	BFKS	BFKM	Oui
5	Ensemble Mineral Rock	MRKM	MRKXL	Oui
6	Soufflerie	GZ600KT / AUB		

8.0 guide de dépannage

FR

symptôme	problème	solution
La flamme du brûleur est bleue, parasiteuse et transparente.	Système d'évacuation bloqué.	- Enlevez ce qui obstrue. Dans des conditions de froid extrême, une accumulation de glace peut se former sur la terminaison et devrait être enlevé lorsque nécessaire.
Formes de film blanc / gris.	Teneur en soufre du combustible-est étant déposé sur les surfaces en verre, bûches, ou chambre de combustion	- Nettoyez la vitre avec un nettoyeur pour vitres de cheminée gaz recommandée. NE PAS NETTOYER VERRE LORSQUE CHAUD. - Si les dépôts ne sont pas nettoyés régulièrement, le verre peut devenir définitivement marqué.
Gaz d'échappement se sentait dans la salle, maux de tête.	Appareil est renversant. (Ce n'est pas applicable dans les appareils extérieurs)	- Mettez hors tension de l'appareil. Contacter un technicien.
Pilote ne s'allume pas. Fait du bruit avec aucune étincelle à veilleuse. (uniquement électronique)	Aucun signal à distance avec aucun pilote allumage	- Reprogrammer le code du récepteur. - Remplacer le récepteur.
Étincelle à la veilleuse mais celle-ci ne s'allume pas.	Alimentation en gaz.	- Vérifiez si la soupape à bille du conduite d'arrivée du gaz est « ouverte ».
	Plus de propane.	- Remplir le réservoir.
	Récepteur (si équipé).	- Suivez les instructions fourni avec la télécommande installer avec votre appareil pour réinitialiser le reprogramme. - Remplacez le récepteur.
Interrupteur mural est en position « off »; le brûleur s'allume.	L'interrupteur mural est monté à l'envers.	- Inverse.
	Interrupteur mural et/ou le fil est relié à la terre.	- Remplacer. - Vérifier la masse (court); réparer ou remplacer les fils.
	Câblage défectueux.	- Remplacer.
Le télécommande/récepteur ne fonctionne pas correctement.	La télécommande s'allume mais aucune étincelle ou flamme. La télécommande est verrouillée).	Réinitialiser en tournant l'alimentation « off » puis « on ». note: Si les piles de sauvegarde sont installées, ils doivent être pour programmer le télécommande.
	Les piles sont faibles.	- Remplacez les piles.
	Erreur de synchronisation.	- Réinitialiser la télécommande et le récepteur.
	Télécommande est trop loins du récepteur.	- Voir la section « schéma de câblage ».
Les flammes sont très actives.	La porte est ouvert.	- Assurez-vous que la porte est bien fermée.
L'appareil n'effectue aucune fonction.	Pas de puissance au système.	- Vérifiez que le disjoncteur est dans le position « on ».
	L'interrupteur du récepteur est à la mauvaise position (si équipé).	- Vérifiez que le récepteur est dans le position « remote » (milieu)
	La télécommande ne fonctionne pas	- Vérifiez les piles ainsi que leur orientation.



APPAREIL AU GAZ CONTINENTAL® - GARANTIE À VIE LIMITÉE DU PRÉSIDENT

Les produits Continental® sont fabriqués selon la norme stricte du Système de Gestion de la Qualité ISO 9001 : 2015, reconnu mondialement.

Les produits Continental® sont conçus avec des composants et des matériaux de qualité supérieure, assemblés par des artisans qualifiés qui sont fiers de leur travail. L'assemblage du brûleur et de la soupape est testé pour les fuites et allumé dans une station de test de qualité. L'appareil complet est ensuite minutieusement inspecté par un technicien qualifié avant l'emballage pour s'assurer que vous, le client, recevez le produit de qualité que vous attendez de Continental®.

Les matériaux et la fabrication de votre nouvel appareil au gaz Continental® sont garantis contre les défauts pour la durée de vie de l'appareil. Cette garantie couvre : la chambre de combustion, l'échangeur de chaleur, le brûleur en acier inoxydable/acier, les bûches et braises

Phazer^{MD}, les pierres, le verre céramique (cassure thermique seulement), les pièces plaquées or contre le ternissement, les composants en porcelaine émaillée et les moulures en aluminium extrudé.*

Les composants électriques (110V et millivolt) et les pièces soumises à l'usure sont couverts, et Continental® fournira des pièces de rechange gratuitement pendant la première année de la garantie limitée. Cela couvre : souffleries, les soupapes de gaz, les interrupteurs thermiques, les interrupteurs, le câblage, les télécommandes, les allumeurs, les joints d'étanchéité et les ensembles de veilleuses.* Toute main-d'œuvre liée à la réparation sous garantie dans un délai d'un an est également couverte.

** La fabrication des modèles varie. La garantie s'applique uniquement aux composants inclus avec votre appareil spécifique.*

CONDITIONS ET LIMITATIONS DE LA GARANTIE

Continental® garantit ses produits contre les défauts de fabrication à l'acheteur initial uniquement. L'enregistrement de votre garantie n'est pas nécessaire. Il vous suffit de fournir votre preuve d'achat ainsi que le modèle et le numéro de série pour faire une réclamation de garantie. Continental® se réserve le droit de faire inspecter tout produit ou toute pièce de celui-ci par son représentant avant d'honorer toute réclamation de garantie. À condition que l'achat ait été effectué auprès d'un détaillant Continental® autorisé, votre appareil est soumis aux conditions et limitations suivantes :

La couverture de la garantie commence à la date de l'installation initiale. Cette garantie du fabricant n'est pas transférable et ne peut en aucun cas être prolongée par l'un de nos représentants. L'appareil au gaz doit être installé par un technicien de service ou un entrepreneur agréé et autorisé. L'installation doit être effectuée conformément aux instructions d'installation fournies avec le produit ainsi qu'à tous les codes locaux et nationaux de construction et d'incendie. Cette garantie limitée ne couvre pas les dommages causés par une mauvaise utilisation, un manque d'entretien, un accident, des modifications, un usage abusif ou la négligence. L'installation de pièces provenant d'autres fabricants annulera cette garantie.

Cette garantie limitée ne couvre pas non plus les égratignures, les bosses, la corrosion ou la décoloration causées par une chaleur excessive, des nettoyants abrasifs et chimiques, ni les éclats sur les pièces en porcelaine émaillée, ni le bris par manipulation des bûches et des braises Phazer^{MD}. Au cours de la première année uniquement, cette garantie s'étend à la réparation ou au remplacement des pièces garanties dont les matériaux ou la fabrication sont défectueux, à condition que le produit ait été utilisé conformément aux instructions d'utilisation et dans des conditions normales. Après la première année, en vertu de la présente garantie limitée, Continental® peut, à sa discrétion, se libérer pleinement de toutes ses obligations en ce qui concerne cette garantie en remboursant à l'acheteur initial le prix de gros de toute pièce garantie qui est défectueuse.

Après la première année, Continental® ne sera pas responsable de l'installation, de la main-d'œuvre ou de toute autre dépense liée à la réinstallation d'une pièce garantie, et ces dépenses ne sont pas couvertes par cette garantie. Nonobstant toute disposition contenue dans la garantie limitée, la responsabilité de Continental® en vertu de cette garantie est définie comme ci-dessus, et elle ne s'étend en aucun cas aux dommages accessoires, consécutifs ou

indirects. Cette garantie définit les obligations et la responsabilité de Continental® en ce qui concerne l'appareil au gaz Continental®, et toute autre garantie, expresse ou implicite, relative à ce produit, à ses composants ou accessoires est exclue. Continental® n'assume, ni n'autorise aucun tiers à assumer en son nom, aucune autre responsabilité concernant la vente de ce produit.

Continental® ne sera pas responsable des problèmes suivants : surchauffe, courants d'air descendants, déversements causés par des conditions environnementales telles que les toits, les bâtiments, les arbres voisins, les collines, les montagnes, les événements ou la ventilation inadéquats, les configurations d'évacuation excessives, les apports d'air insuffisants ou les pressions d'air négatives qui peuvent ou non être causées par des systèmes mécaniques tels que les ventilateurs d'évacuation, les fournaies, les sèche-linges, etc. Tout dommage à l'appareil, à la chambre de combustion, à l'échangeur de chaleur, aux moulures plaquées ou à d'autres composants causé par l'eau, les intempéries, de longues périodes d'humidité, la condensation, des produits chimiques ou des produits d'entretien nuisibles ne sera pas de la responsabilité de Continental®. Toutes les pièces remplacées dans le cadre de la politique de garantie limitée sont soumises à une seule réclamation.

Toutes les pièces remplacées dans le cadre de la garantie seront couvertes pendant une période de 90 jours à partir de la date de leur installation. Le fabricant peut demander que les pièces ou produits défectueux soient retournés ou que des photos numériques soient fournies pour valider la réclamation. Les produits retournés doivent être expédiés en port payé au fabricant pour enquête. Si un produit est jugé défectueux, le fabricant réparera ou remplacera le produit défectueux. Avant d'expédier votre appareil ou les composants défectueux, votre détaillant doit obtenir un numéro d'autorisation. Tout envoi de marchandises sans autorisation sera refusé et renvoyé à l'expéditeur. Les frais de transport ne sont pas couverts par cette garantie. Des frais de service supplémentaires peuvent s'appliquer si vous demandez un service sous garantie auprès d'un détaillant. Les frais de main-d'œuvre, de déplacement, de tests de diagnostic, d'expédition et autres charges connexes ne sont pas couverts par cette garantie.

Toutes les spécifications et conceptions sont sujettes à modifications sans préavis en raison des améliorations constantes apportées au produit. Continental® est une marque déposée de Wolf Steel Ltée.

CONTINENTAL

24 Napoleon Road,
Barrie, Ontario,
Canada L4M 0G8

214 Bayview Drive,
Barrie, Ontario,
Canada L4N 4Y8

103 Miller Drive,
Crittenden, Kentucky,
USA 41030

7200, Route Transcanadienne,
Montréal, Québec
Canada H4T 1A3

P: 1-866-820-8686
continentalcomfort.com