

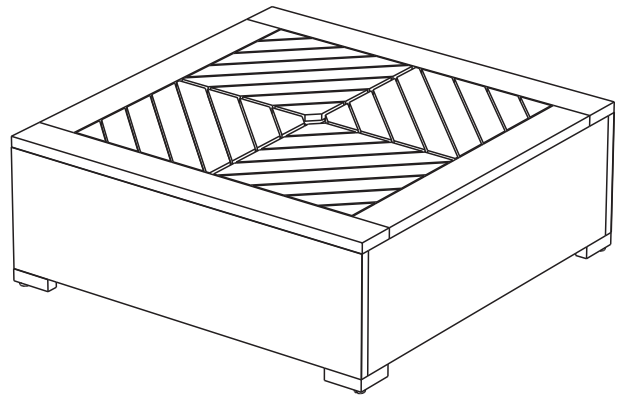
# Coffee Table

## IMPORTANT

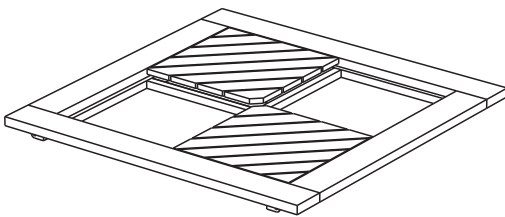
Carefully remove all the parts from the carton and place them individually on a soft cloth to prevent scratches or other damage.

Carefully and strictly follow these assembly instructions to ensure a completed product as designed.

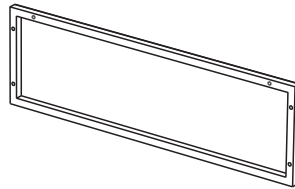
Do not use power tools above 8 volts to assemble.



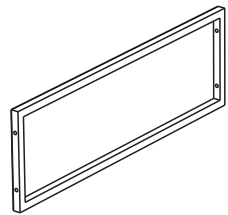
## Part List



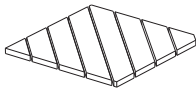
A.  
Top  
1 pc.



B.  
Frame  
2 pcs.



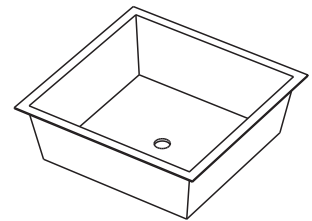
C.  
Side  
2 pcs.



D.  
Top  
2 pcs.

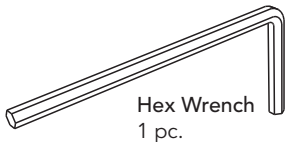


E.  
Foot  
4 pcs.

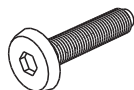


F.  
Container  
2 pcs.

## Hardware List



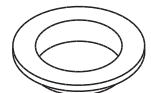
Hex Wrench  
1 pc.



M6x15  
Head Cap Bolt (short)  
4 pcs. (+1 extra)



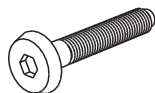
Spring Washer  
20 pcs. (+1 extra)



Plug  
2 pcs.



Small  
Hex Wrench  
1 pc.



M6x35  
Head Cap Bolt  
16 pcs. (+1 extra)



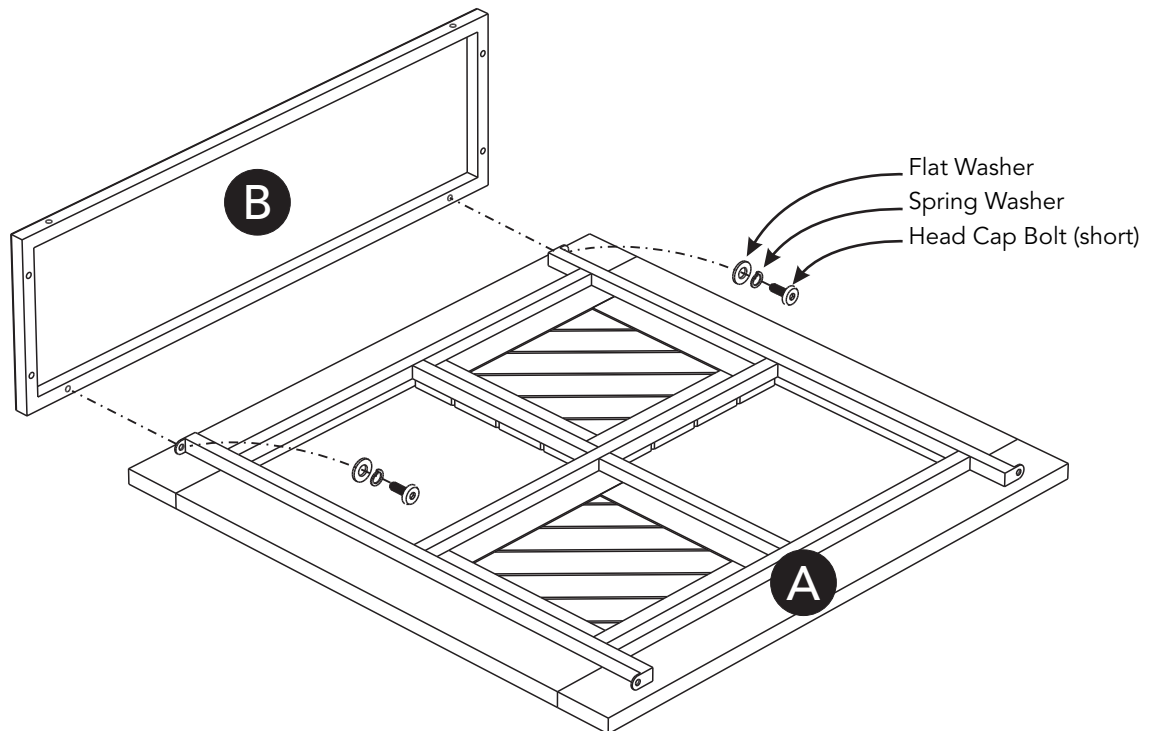
Flat Washer  
20 pcs. (+1 extra)

Tool(s) required for assembly: Level

## Assembly Instructions 2/7

### IMPORTANT

- Use a soft cloth between these parts and the floor.
- Do not use power tools above 8 volts to assemble.
- Do not tighten all the bolts until each part is properly assembled.
- The unit must be level to work properly. Use the included adjustable levelers to level.
- Keep Hex Wrench as the bolts may need to be tightened in the future.



### STEP 1

Attach Frame (B) to Top (A) with Head Cap Bolts (short), Spring Washers and Flat Washers, tightening bolts only halfway.

(See Figure 1)

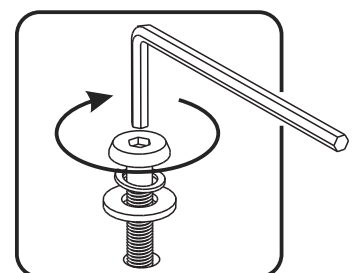
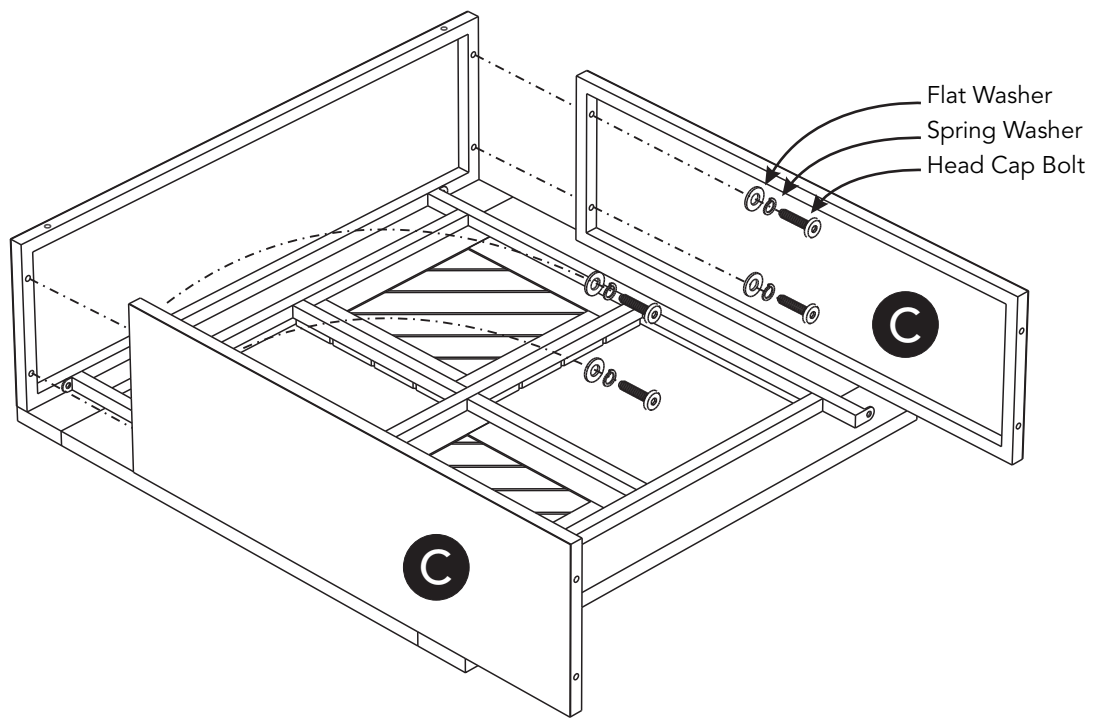


Figure 1

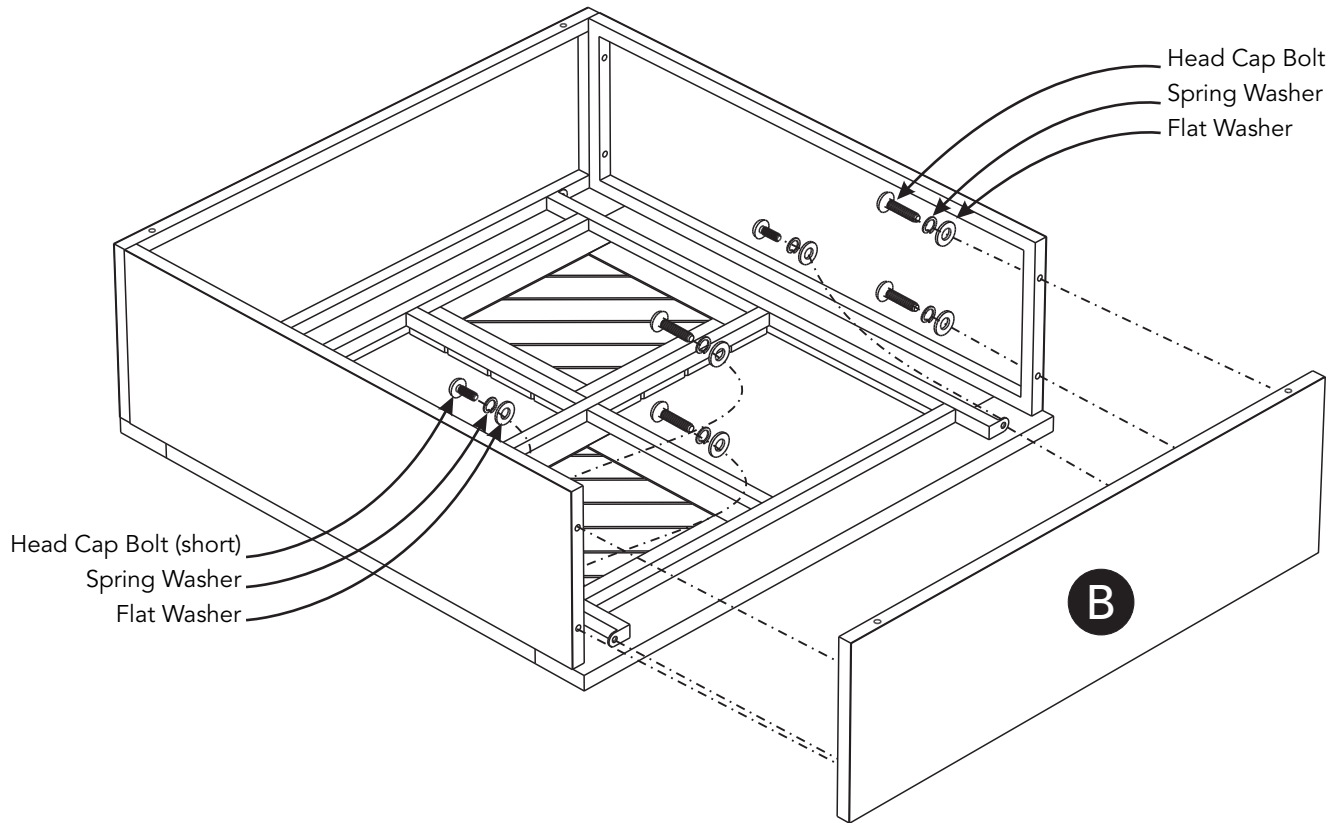
## Assembly Instructions 3/7



### STEP 2

Attach Sides (C) to unit with Head Cap Bolts, Spring Washers and Flat Washers, tightening bolts only halfway.

## Assembly Instructions 4/7

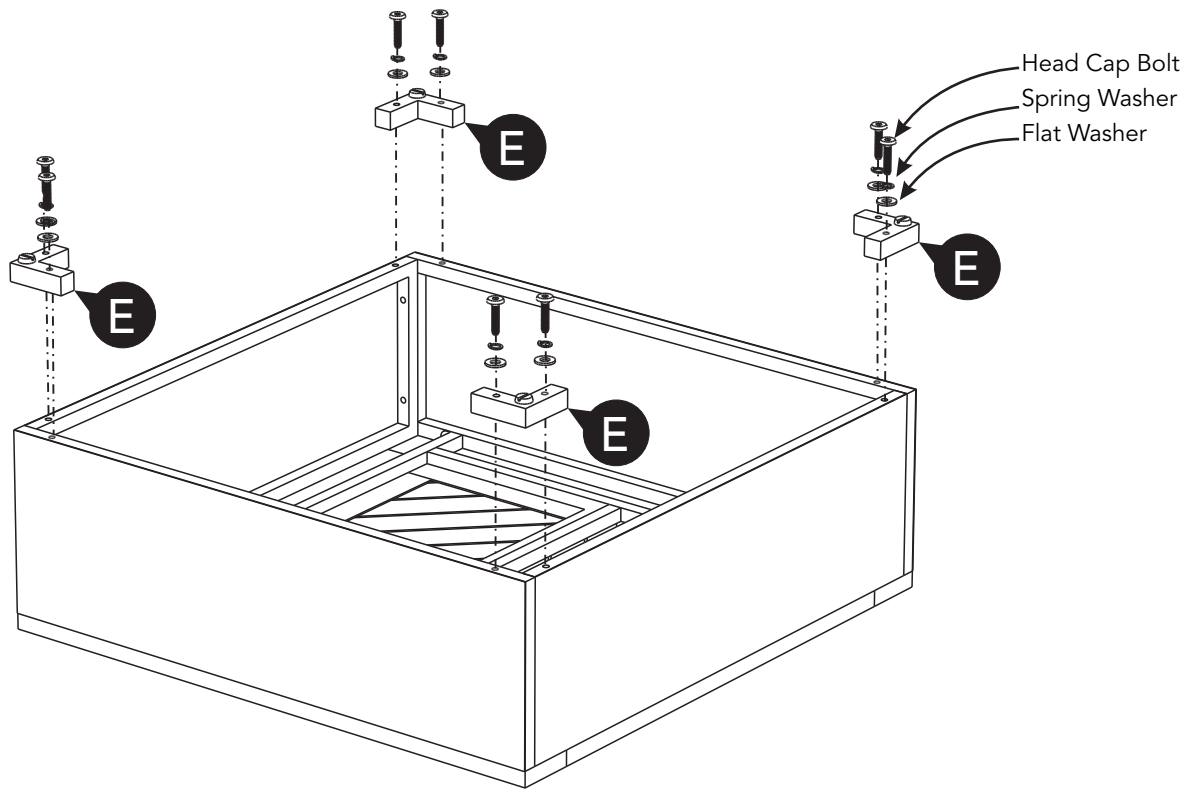


### STEP 3

Attach Frame (B) to unit with Head Cap Bolts, Head Cap Bolts (short), Spring Washers and Flat Washers, tightening bolts only halfway.

Tighten all bolts used in Steps 1, 2 and 3.

# Assembly Instructions 5/7



## STEP 4

Attach Feet (E) to unit with Head Cap Bolts, Spring Washers and Flat Washers.  
(See Figure 2)

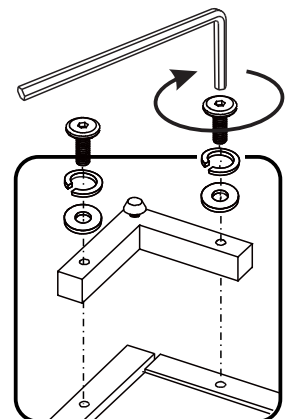
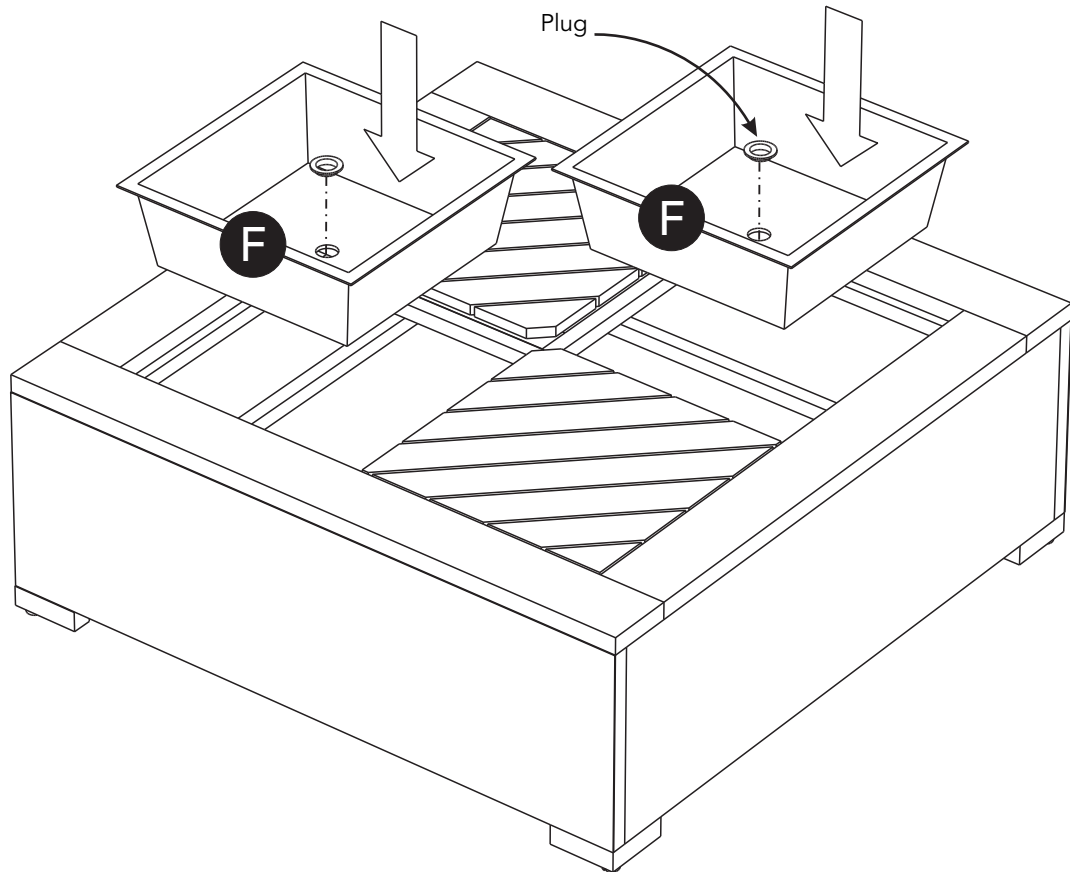


Figure 2

## Assembly Instructions 6/7

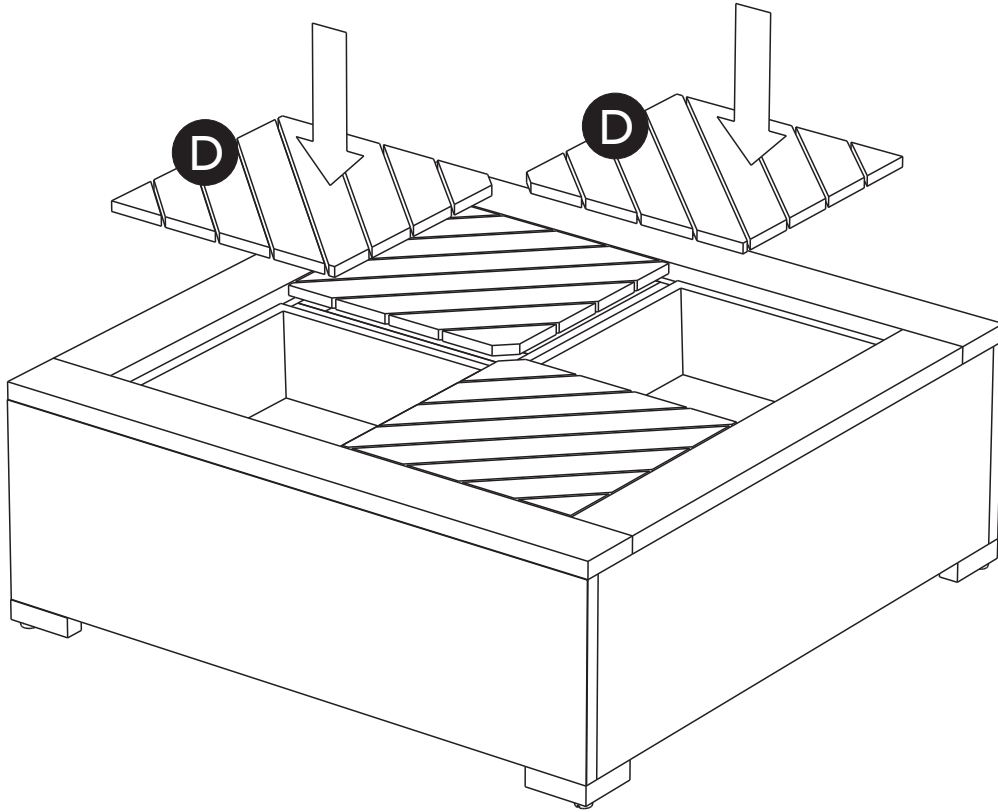


### STEP 5

Turn over unit to its upright position.

Place Containers (F) into position.

Place Plugs into position.



## STEP 6

Place Tops (D) into position.

Level unit by adjusting the adjustable levelers on bottom of unit.  
(See Figure 3)

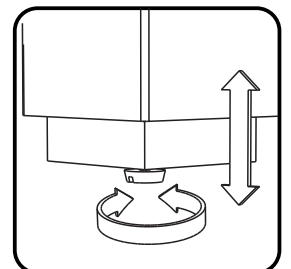


Figure 3

# CARE INSTRUCTIONS

## NEVER

allow liquids to remain on furniture.  
Absorption causes parts to warp  
and split and finishes to delaminate.

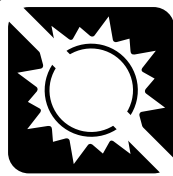
## NEVER

use glass cleaners on  
finished furniture. Ammonia  
chemically attacks the finish.



Do not use power tools  
above 8 volts to assemble.

**PREVENT  
CRACKING**



Do not place  
in direct sunlight.

**PREVENT  
FADING**



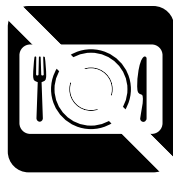
Do not write  
directly on surface.

**PREVENT  
MARKING**



Do not place hot  
objects on surface.

**PREVENT  
FINISH DAMAGE**



Do not use rubber  
based placemats.

**PREVENT  
DISCOLORING**



Do not use commercial  
waxes and polishes.

**PREVENT  
YELLOWING**

## CLEAN

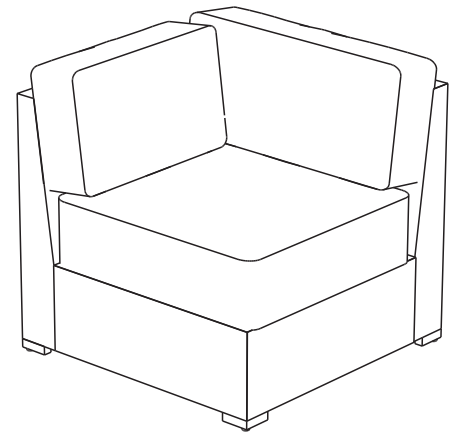
with a soft cloth moistened  
in lukewarm soap and water.  
Buff with a dry clean cloth.



**homestyles** will provide replacements free of charge for missing or damaged parts within 1 year of purchase. Digital images of the defective parts may be required. If the product was not purchased from an authorized retailer, **homestyles** is under no obligation to provide replacement parts. Parts are not available for fully assembled items nor are parts available for sale. Replacements for missing or damaged parts may be requested via contact info below.

**homestyles** Customer Service: [www.homestylesfurniture.com](http://www.homestylesfurniture.com),  
[servicedesk@homestylesfurniture.com](mailto:servicedesk@homestylesfurniture.com), 888-680-7460

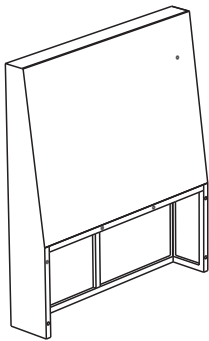


**Side Chair****IMPORTANT**

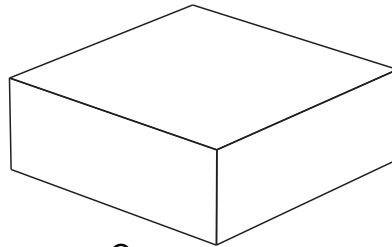
Carefully remove all the parts from the carton and place them individually on a soft cloth to prevent scratches or other damage.

Carefully and strictly follow these assembly instructions to ensure a completed product as designed.

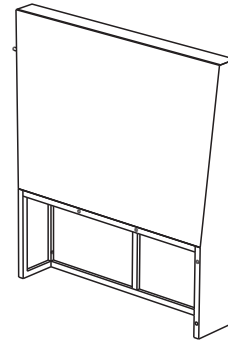
Do not use power tools above 8 volts to assemble.

**Part List**

L.  
Back  
1 pc.



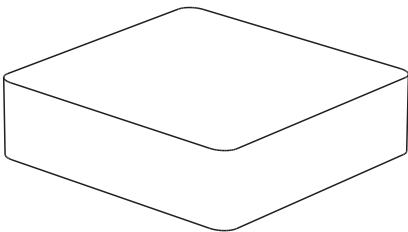
Q.  
Seat  
1 pc.



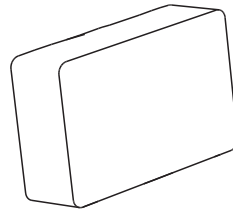
N.  
Back  
1 pc.



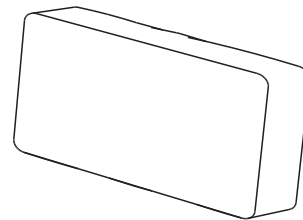
E.  
Foot  
4 pcs.



R.  
Seat Cushion  
1 pc.



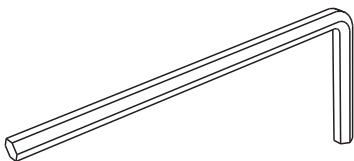
I.  
Back Cushion  
1 pc.



K.  
Back Cushion  
1 pc.



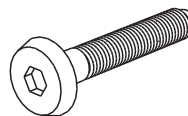
J.  
Clip  
2 pcs.

**Hardware List**

Hex Wrench  
1 pc.



Small  
Hex Wrench  
1 pc.



M6x35  
Head Cap Bolt  
18 pcs. (+1 extra)



Spring Washer  
18 pcs. (+1 extra)



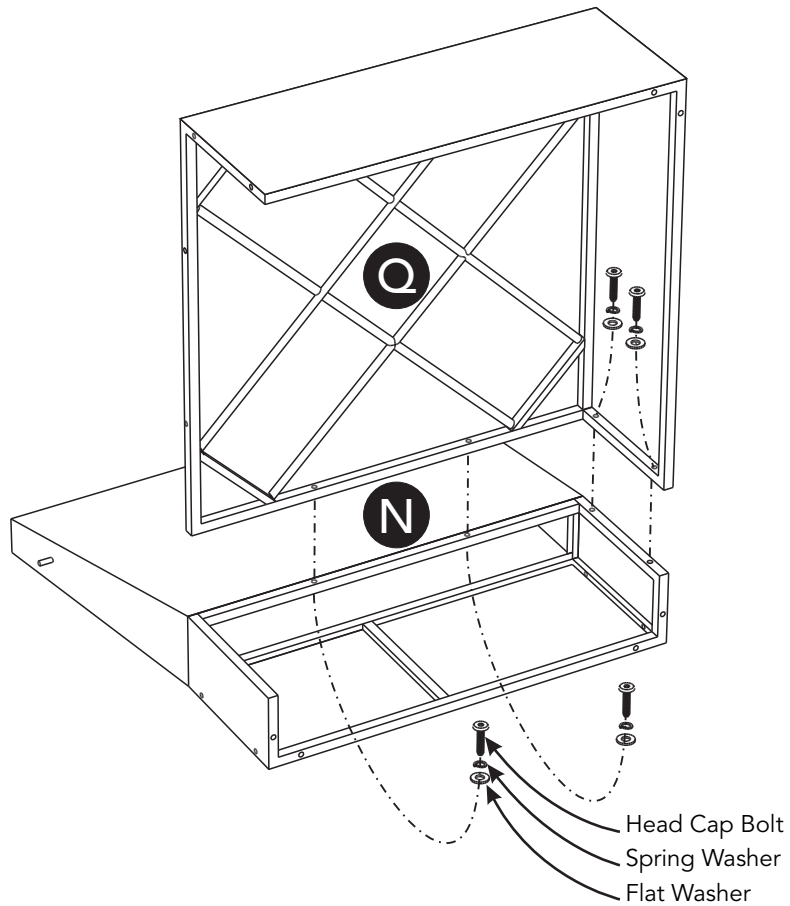
Flat Washer  
18 pcs. (+1 extra)

Tool(s) required for assembly: Level

## Assembly Instructions 2/6

### IMPORTANT

- Use a soft cloth between these parts and the floor.
- Do not use power tools above 8 volts to assemble.
- Do not tighten all the bolts until each part is properly assembled.
- The unit must be level to work properly. Use the included adjustable levelers to level.
- Keep Hex Wrench as the bolts may need to be tightened in the future.



### STEP 1

Attach Seat (Q) to Back (N) with Head Cap Bolts, Spring Washers and Flat Washers, tightening bolts only halfway.  
(See Figure 1)

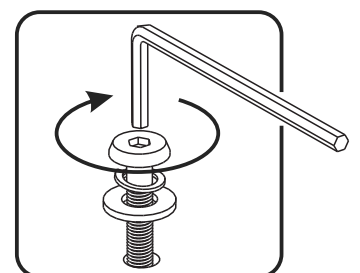
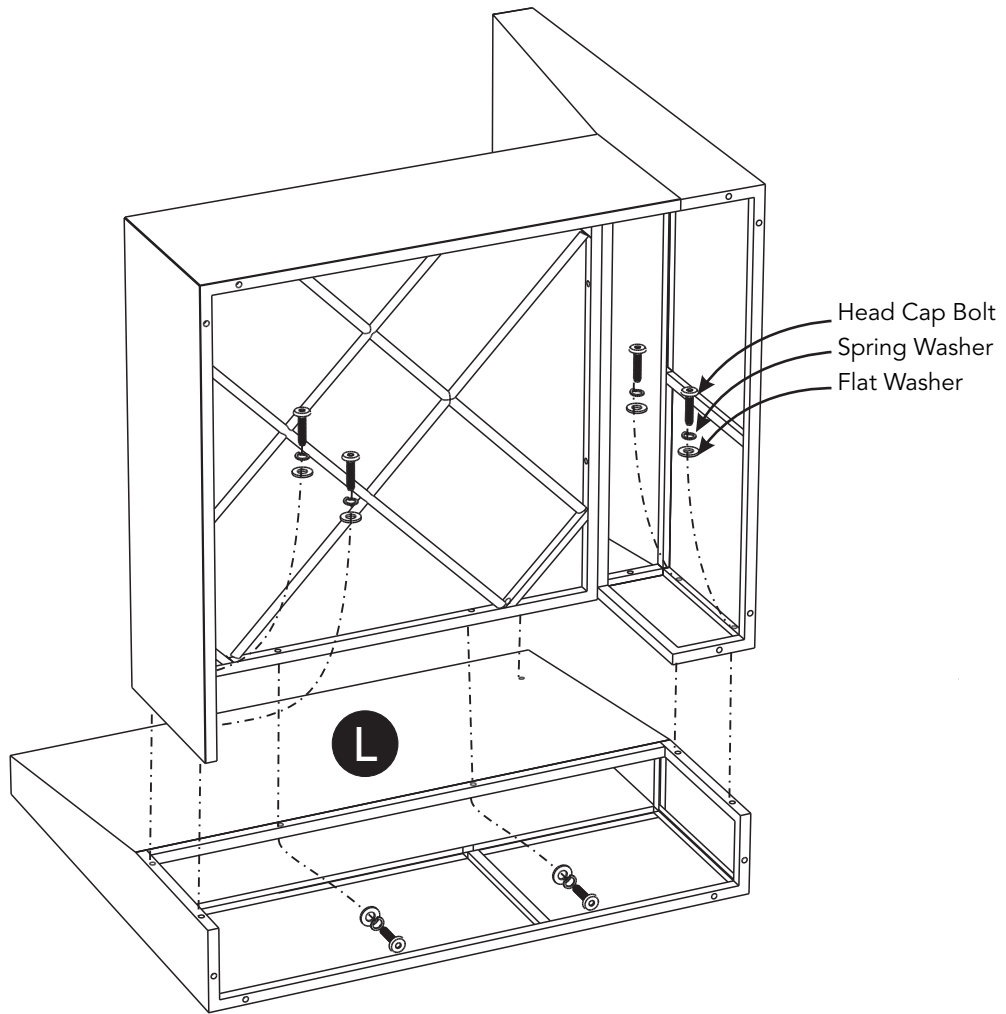


Figure 1

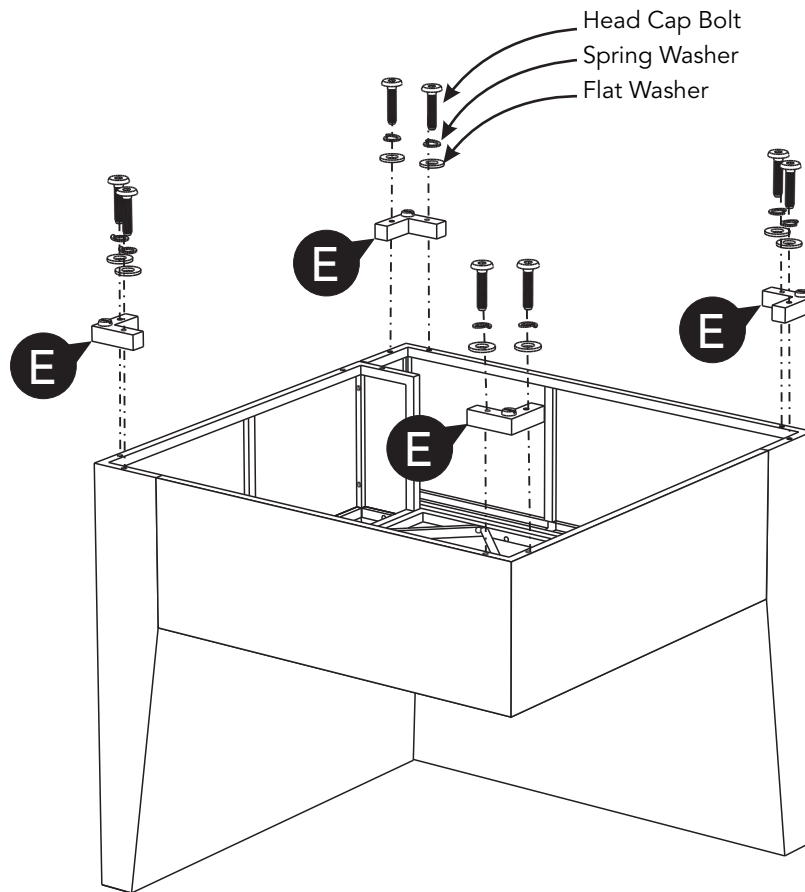
## Assembly Instructions 3/6



### STEP 2

Attach Back (L) to unit with Head Cap Bolts, Spring Washers and Flat Washers, tightening bolts only halfway.

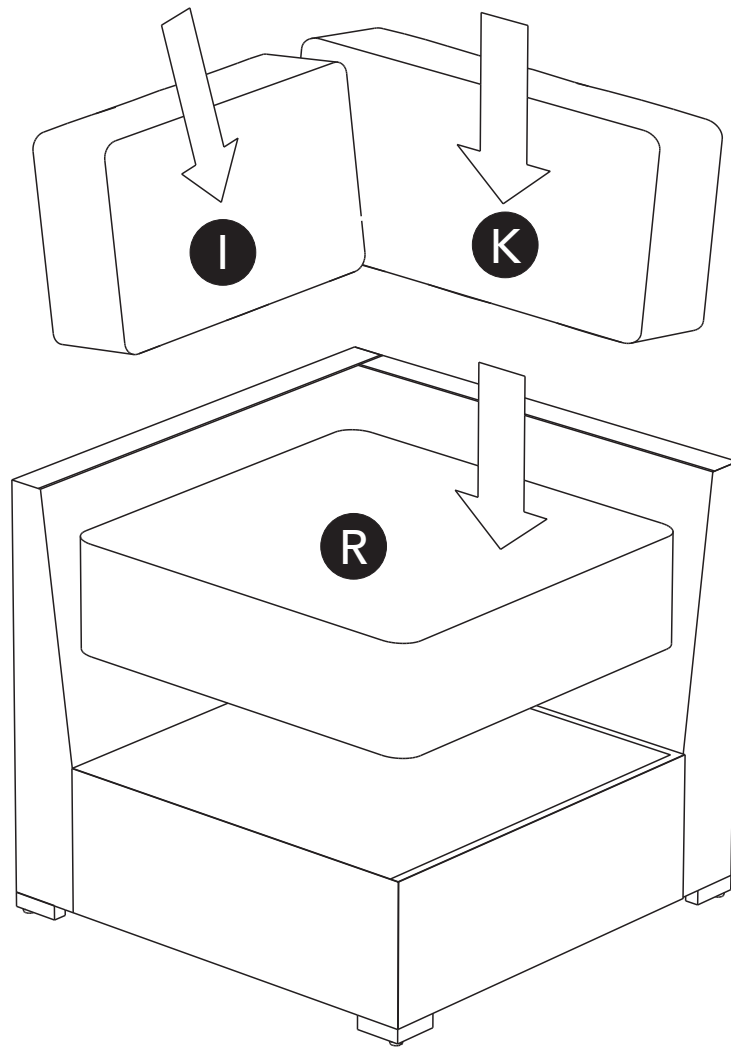
## Assembly Instructions 4/6



### STEP 3

Attach Feet (E) to unit with Head Cap Bolts, Spring Washers and Flat Washers.

## Assembly Instructions 5/6



### STEP 4

Turn unit to its upright position.

Attach Seat Cushion (R) to unit by pushing toggles through weaving in back of unit.  
(See Figure 2)

Place Back Cushions (I) and (K) into position.

Level unit by adjusting the adjustable levelers on bottom of unit.  
(See Figure 3)

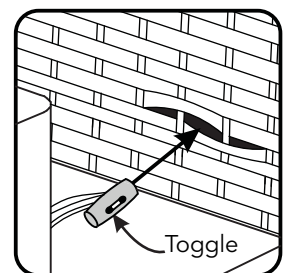


Figure 2

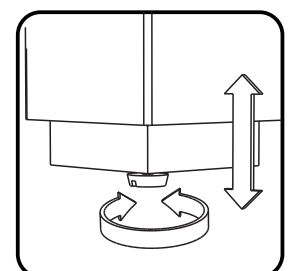


Figure 3

## Assembly Instructions 6/6

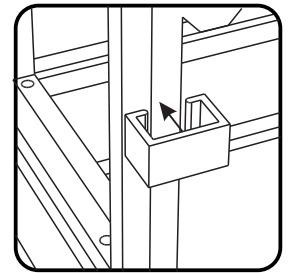
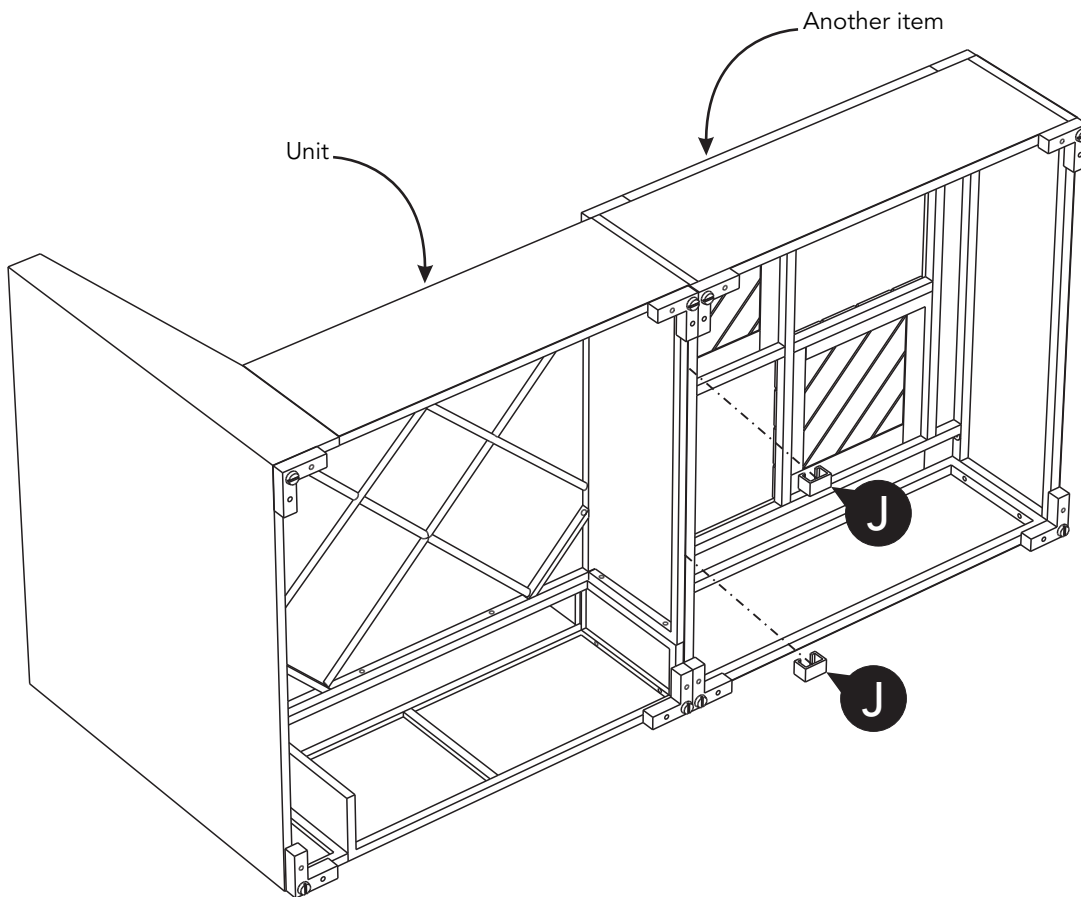
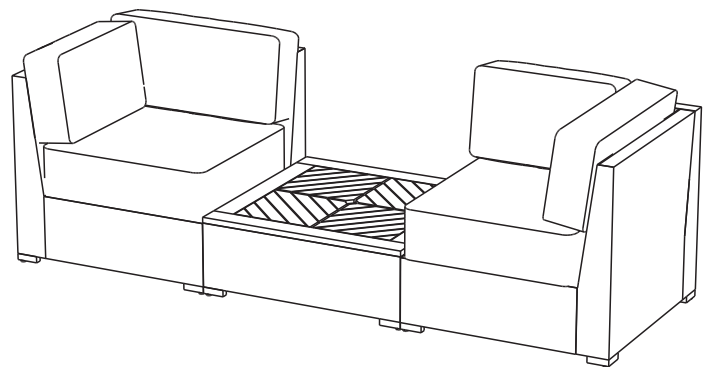
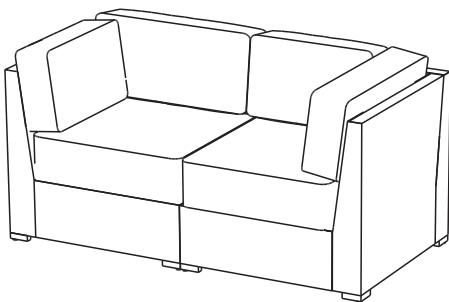


Figure 4

Note : Two Clips (J) are included in this carton. They may be used to attach this unit to another item in this collection if other items have been purchased. (See Figure 4)  
Other items which may be attached to this unit include another 6800-12 Side Chair or a 6800-21 Coffee Table.



# CARE INSTRUCTIONS

## NEVER

allow liquids to remain on furniture.  
Absorption causes parts to warp  
and split and finishes to delaminate.

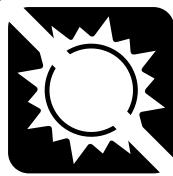
## NEVER

use glass cleaners on  
finished furniture. Ammonia  
chemically attacks the finish.



Do not use power tools  
above 8 volts to assemble.

**PREVENT  
CRACKING**



Do not place  
in direct sunlight.

**PREVENT  
FADING**



Do not write  
directly on surface.

**PREVENT  
MARKING**



Do not place hot  
objects on surface.

**PREVENT  
FINISH DAMAGE**



Do not use rubber  
based placemats.

**PREVENT  
DISCOLORING**



Do not use commercial  
waxes and polishes.

**PREVENT  
YELLOWING**

## CLEAN

with a soft cloth moistened  
in lukewarm soap and water.  
Buff with a dry clean cloth.



**homestyles** will provide replacements free of charge for missing or damaged parts within 1 year of purchase. Digital images of the defective parts may be required. If the product was not purchased from an authorized retailer, **homestyles** is under no obligation to provide replacement parts. Parts are not available for fully assembled items nor are parts available for sale. Replacements for missing or damaged parts may be requested via contact info below.

**homestyles** Customer Service: [www.homestylesfurniture.com](http://www.homestylesfurniture.com),  
[servicedesk@homestylesfurniture.com](mailto:servicedesk@homestylesfurniture.com), 888-680-7460