



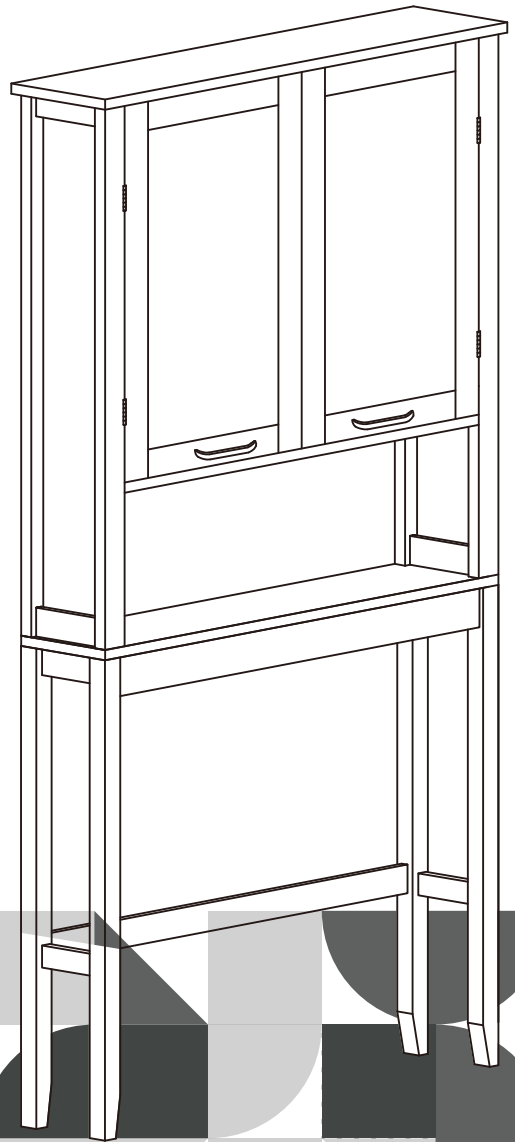
Extended Warranty
Sign Up

E-1

Welcome home!

EHF-F0016

**TEAMSON HOME
Mercer Over the Toilet
Storage**





**Questions? Comments? Need help?
Call or email us any time!**

Global Customer Service

USA

+1(800)935-3959

Mon - Fri 10:00am ~ 2:00pm EST

✉ support@teamson.com

EU/UK

+44(0)1952-916-050

Mon - Thu 9:00am ~ 5:00pm GMT

Friday 9:00am ~ 4:00pm GMT

✉ support@teamson.co.uk

ASIA

深圳办公室:

+86(0755)8885-3558.分机号331

Mon - Sat 9:00am ~ 5:00pm GMT+8

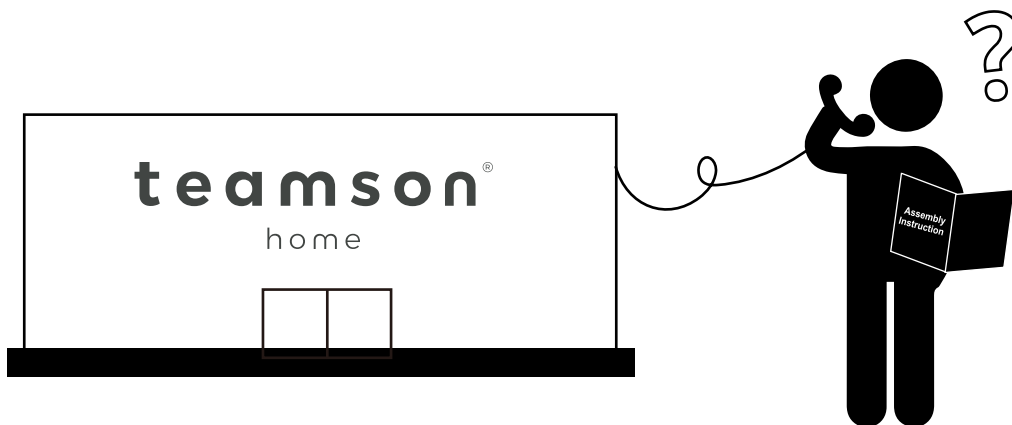
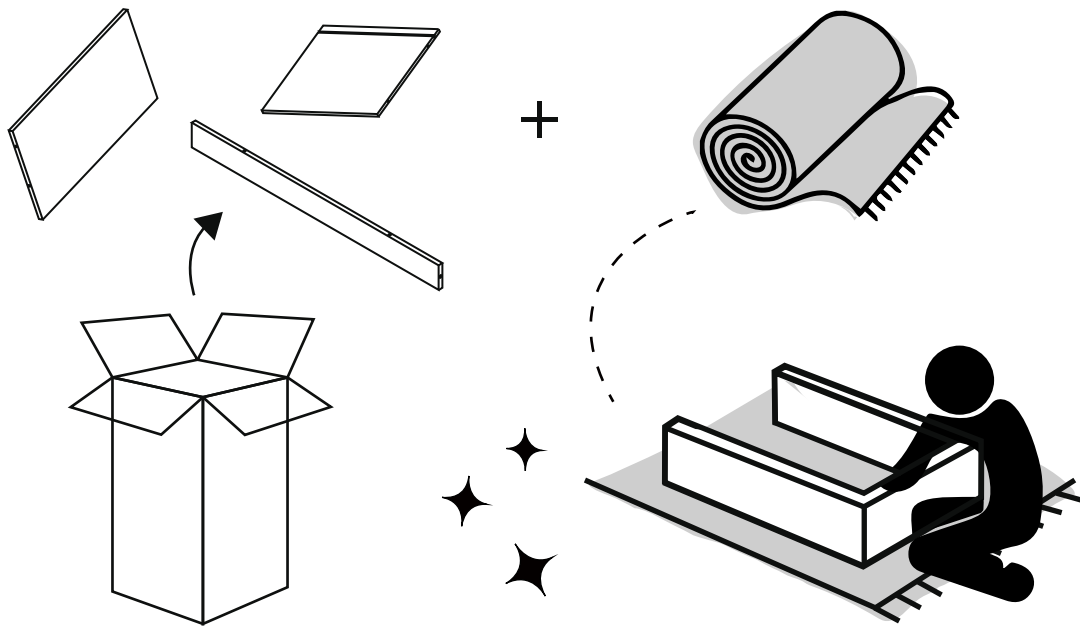
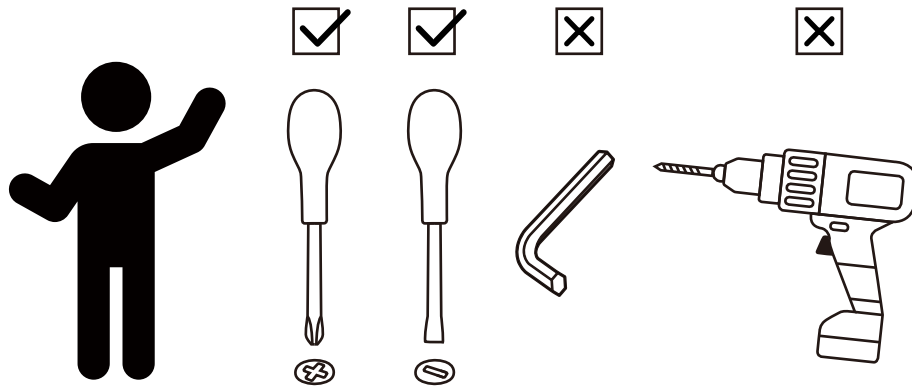
✉ sales_ec@teamson.com

台北办公室:

+886(2)2556-6268

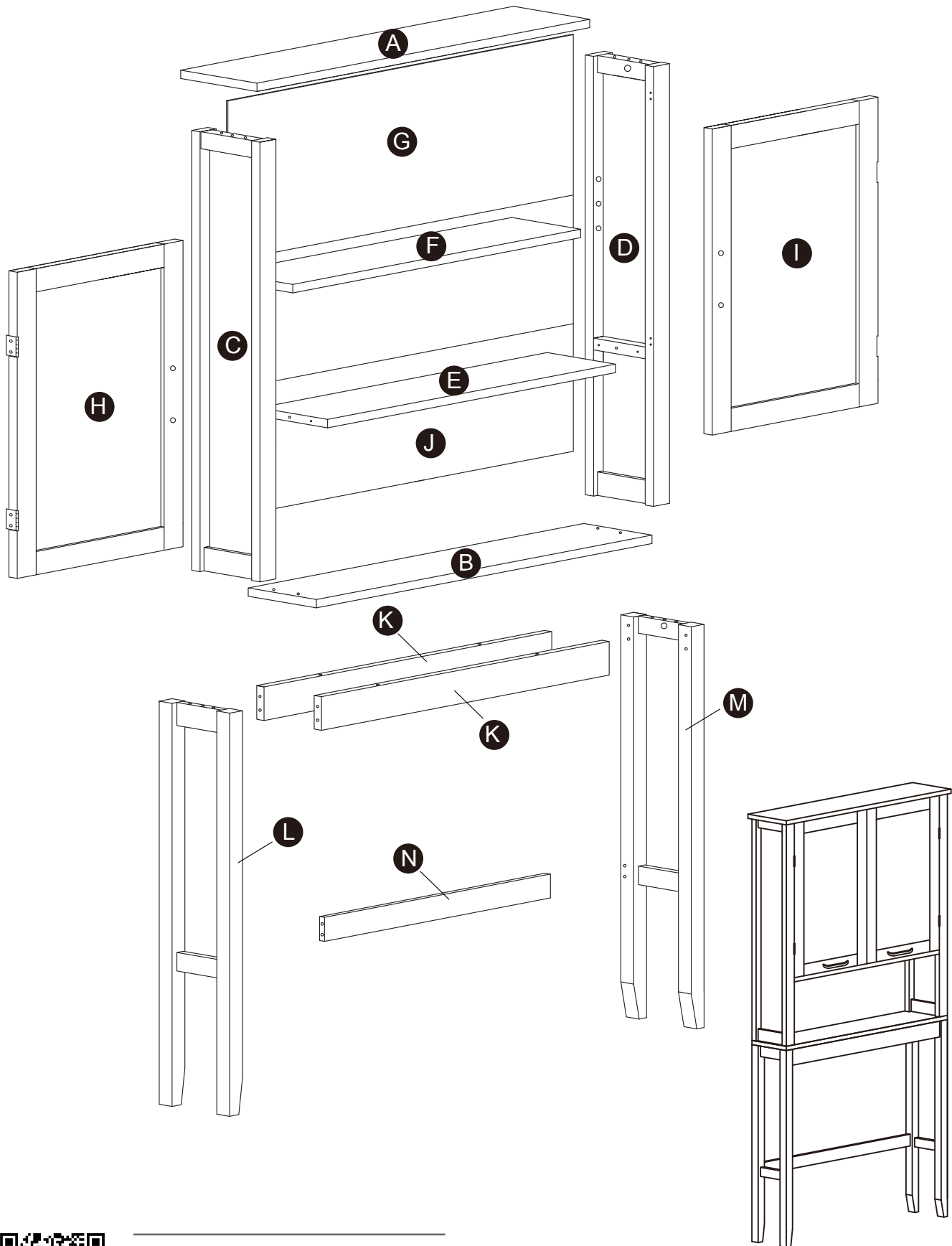
Mon - Fri 9:00am ~ 5:00pm GMT+8

✉ sales_ec@teamson.com



** Got questions? Please have your product code (on the first page of this instruction, e.g. TD-12345A) and the order number ready, give us a call or email us through our customer care support! We are always ready to assist you!

Exploded Drawing



Scan for assembly instructions.

Product Parts

A



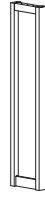
1 PC

B



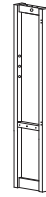
1 PC

C



1 PC

D



1 PC

E



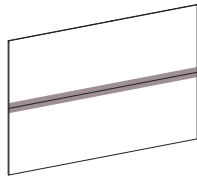
1 PC

F



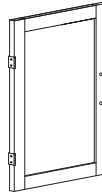
1 PC

G



1 PC

H



1 PC

I



1 PC

J



1 PC

K



2 PCS

L



1 PC

M



1 PC

N



1 PC

! Care Instructions

Dust surface with a dry soft cloth. Do not use window cleaners or cleaning abrasives as they will scratch the surface and could damage the protective coating

! WARNING

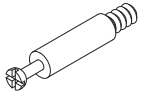
Small parts and sharp edges may be present prior to assembly.



Scan for assembly instructions.

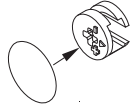
Hardware

1



20 PCS

2



Ø15*9

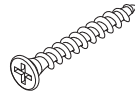
20 PCS

3



4 PCS

4



Ø4*40mm

4 PCS

5



Ø3*12mm

8 PCS

6



Ø3*10mm D=7

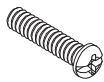
22 PCS

7



2 PCS

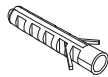
8



5/32"*16mm

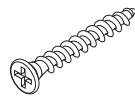
4 PCS

9



1 PC

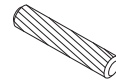
10



Ø4*30mm

1 PC

11



Ø6*30mm

10 PCS

12



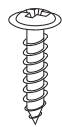
4 PCS

13



1 PC

14



Ø4*10mm D=7

1 PC

15



Ø16*Ø5*1mm

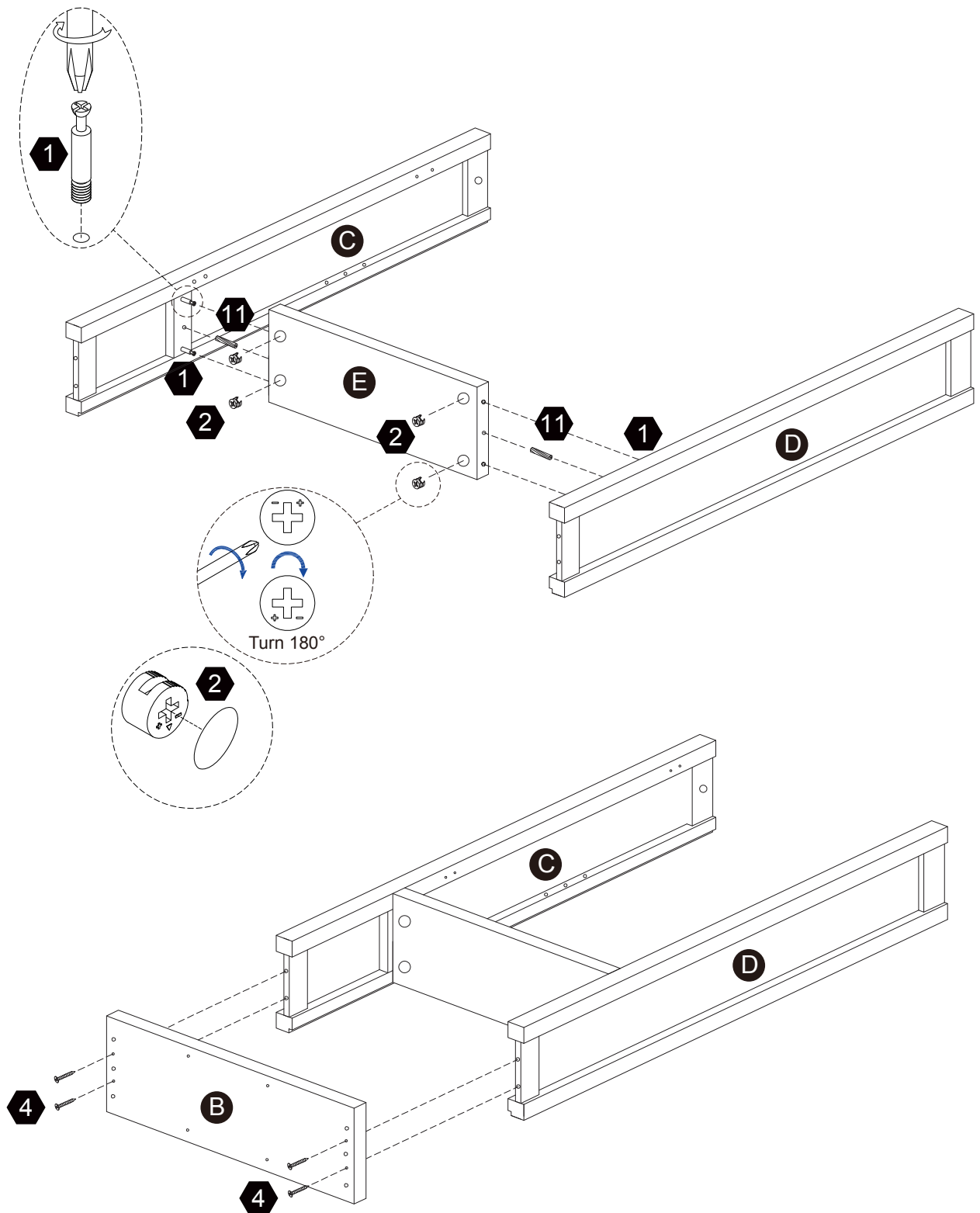
2 PCS



Scan for assembly instructions.

Step 1

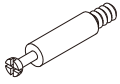
- 1 4 pcs
- 2 4 pcs $\text{\O}15*9$
- 4 4 pcs $\text{\O}4*40\text{mm}$
- 11 2 pcs $\text{\O}6*30\text{mm}$



Scan for assembly instructions.

Step 2

1



2 pcs

2

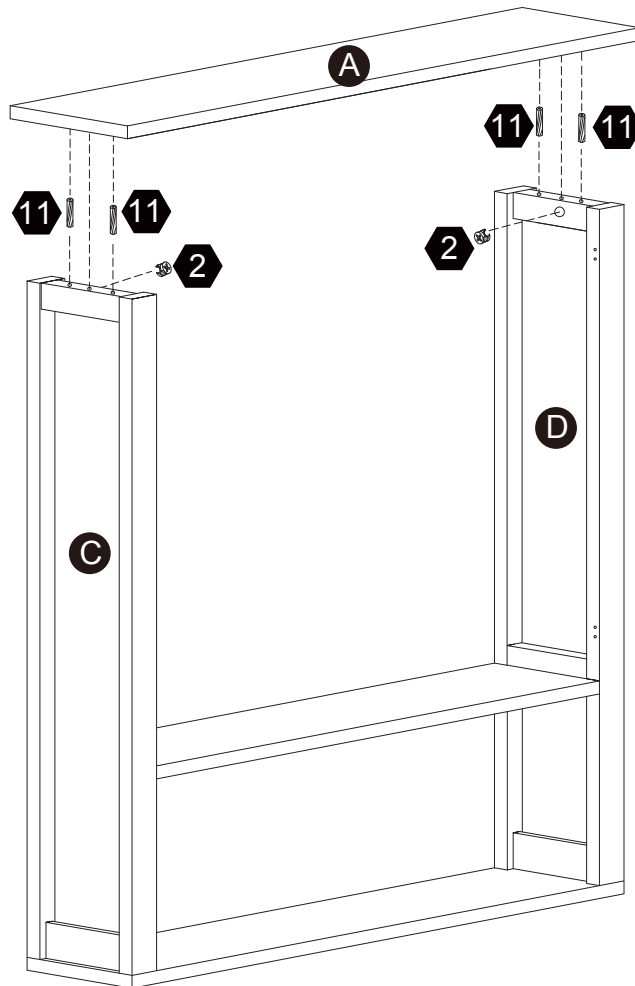
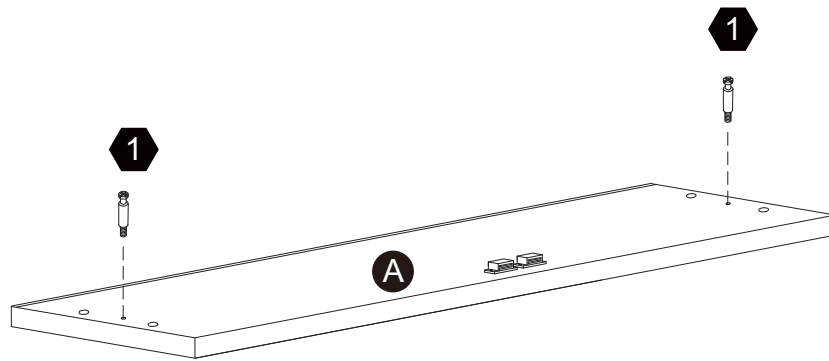


2 pcs

11



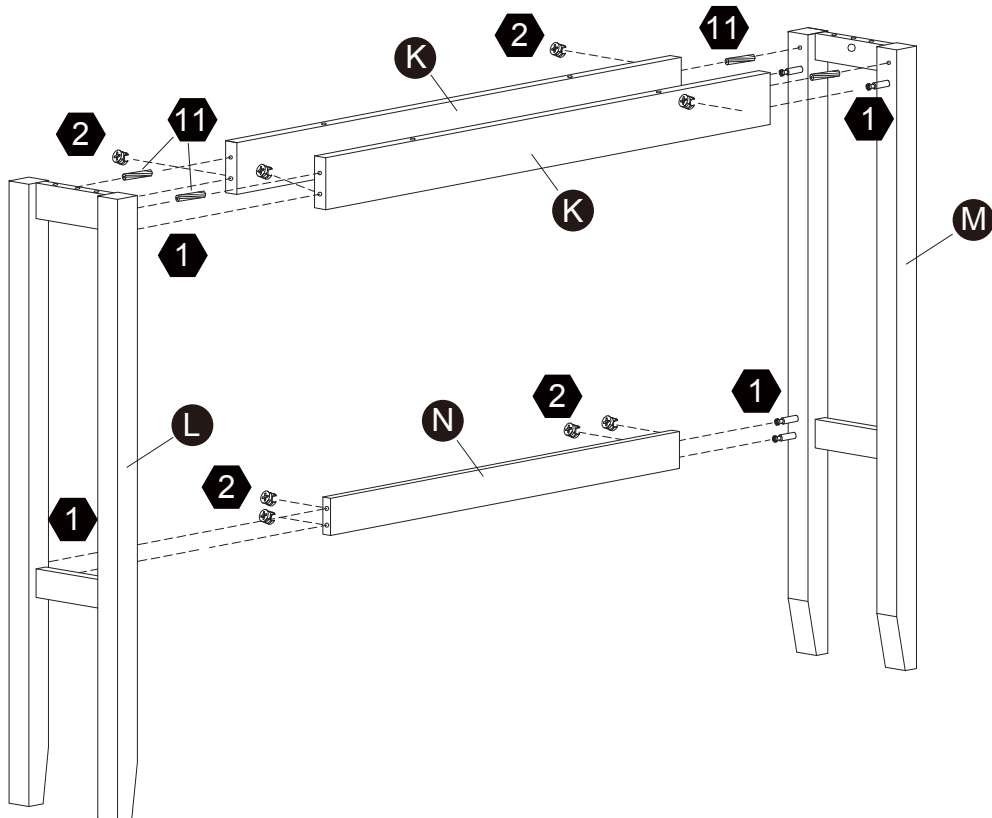
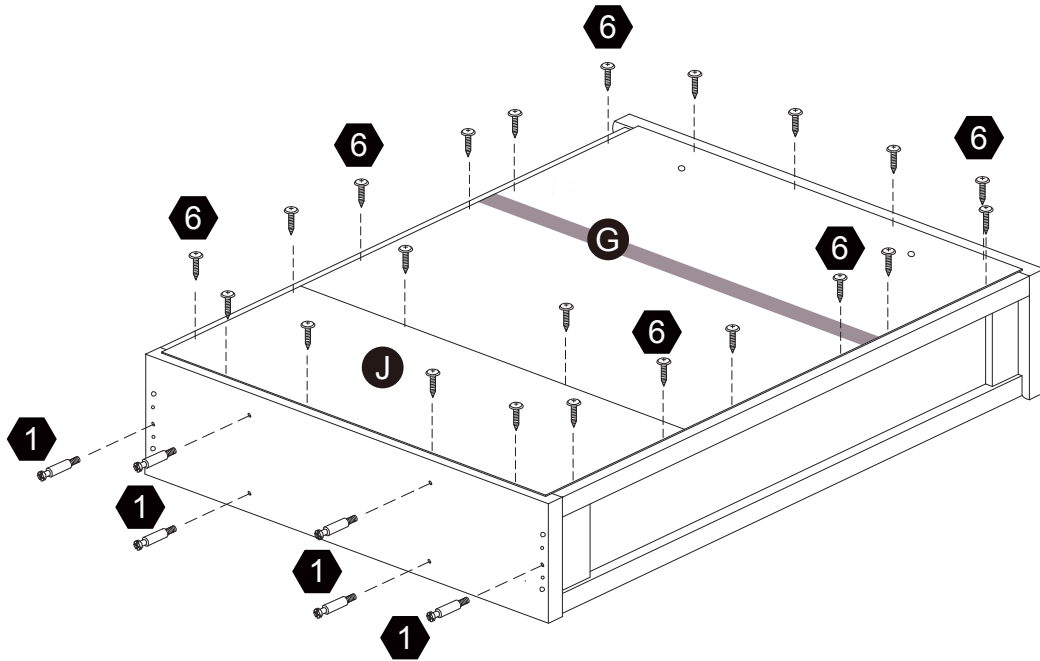
4 pcs



Scan for assembly instructions.

Step 3

- 1**  14 pcs
 - 2**  8 pcs
 - 6**  22 pcs
 - 11**  4 pcs
- $\varnothing 15 \times 9$ $\varnothing 3 \times 10 \text{mm } D=7$ $\varnothing 6 \times 30 \text{mm}$



Scan for assembly instructions.

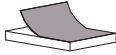
Step 4

2



6 pcs

12



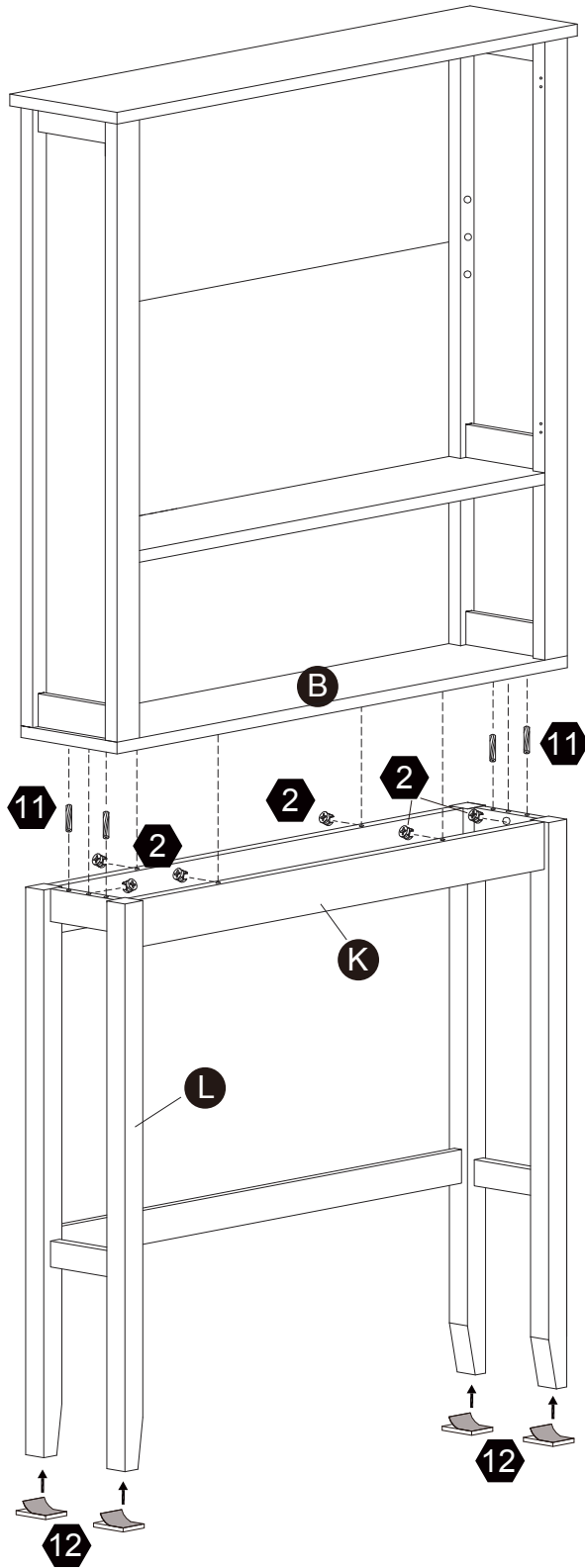
4 pcs

11



4 pcs

Ø6*30mm



Scan for assembly instructions.

Step 5

3



4 pcs

5



8 pcs

7

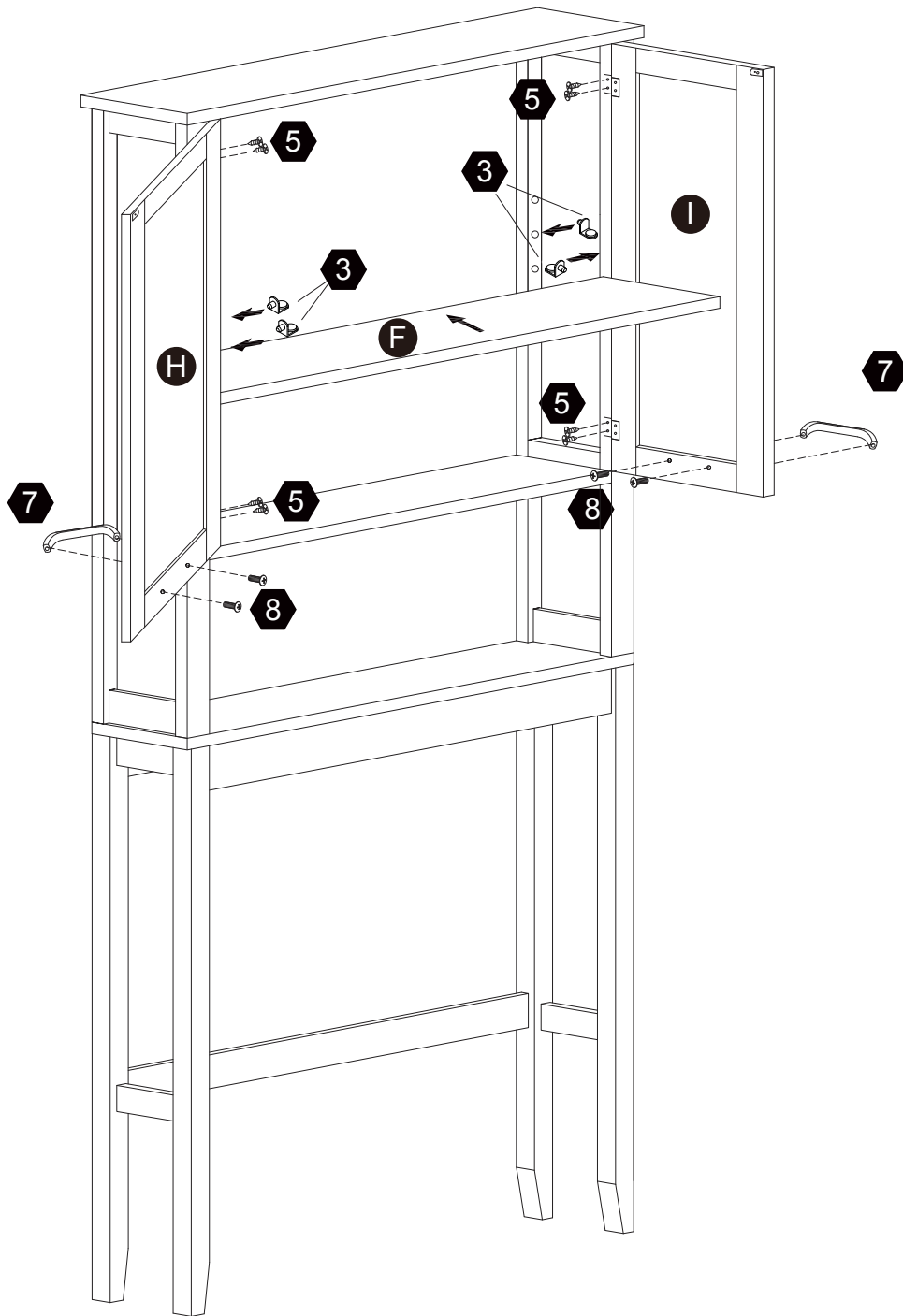


2 pcs

8



4 pcs



Scan for assembly instructions.

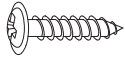
Step 6

13



1 pc

14



Ø4*10mm D=7

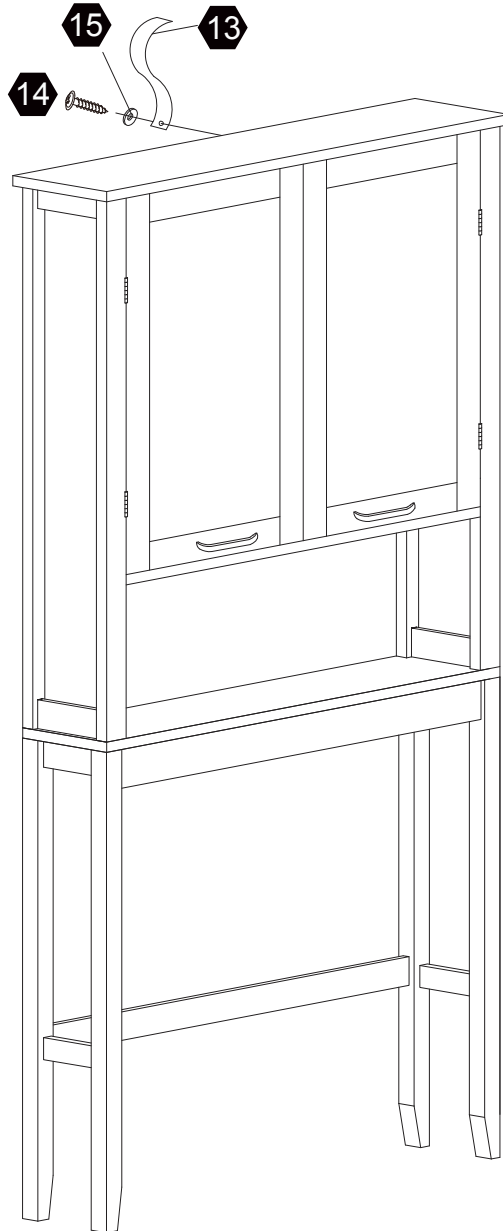
1 pc

15



Ø16*Ø5*1mm

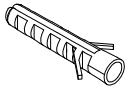
1 pc



Scan for assembly instructions.

Step 7

9



1 pc

10



Ø4*30mm

1 pc

15



Ø16*Ø5*1mm

1 pc

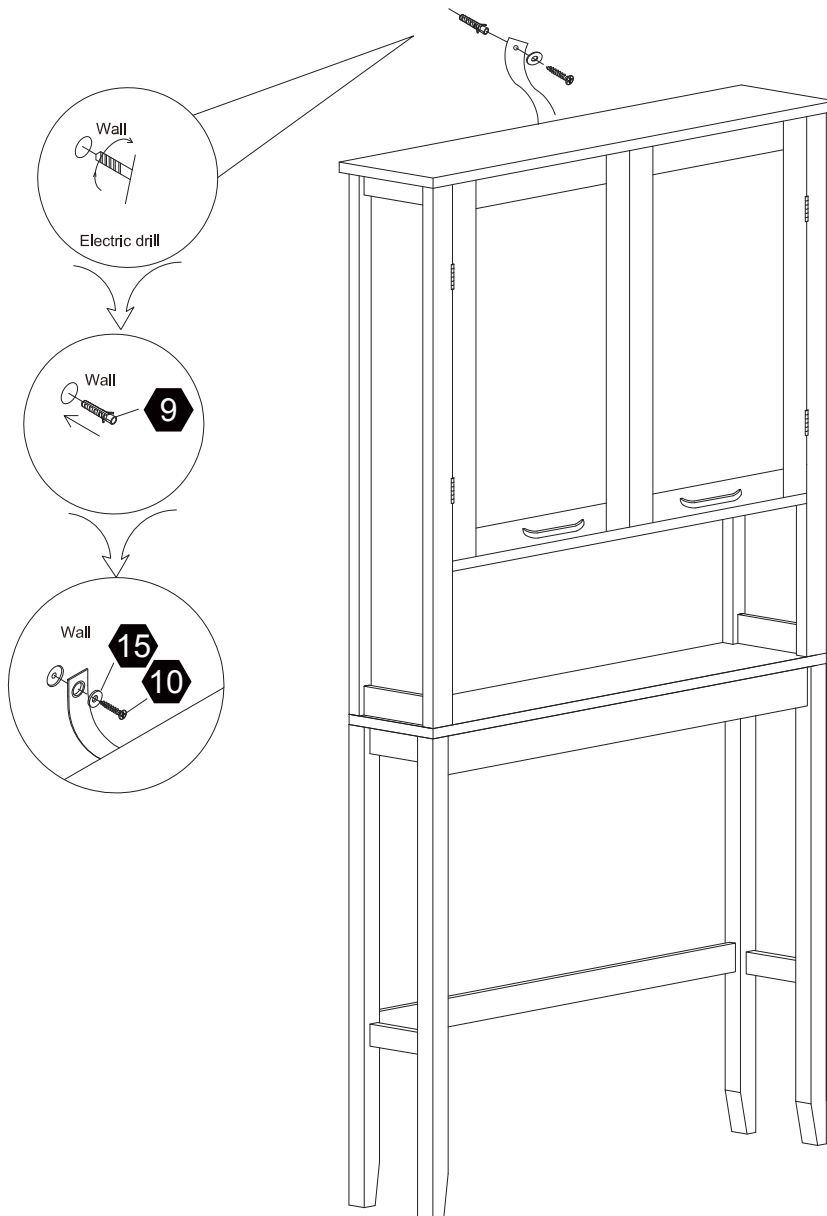
Warning:

Serious or fatal injuries can occur from furniture tip-over. To help prevent furniture tip-over:

Use provided mounting hardware to secure furniture to the wall.

This may reduce but not eliminate the risk of furniture tip-over.

Do not allow children to climb on furniture.



Scan for assembly instructions.