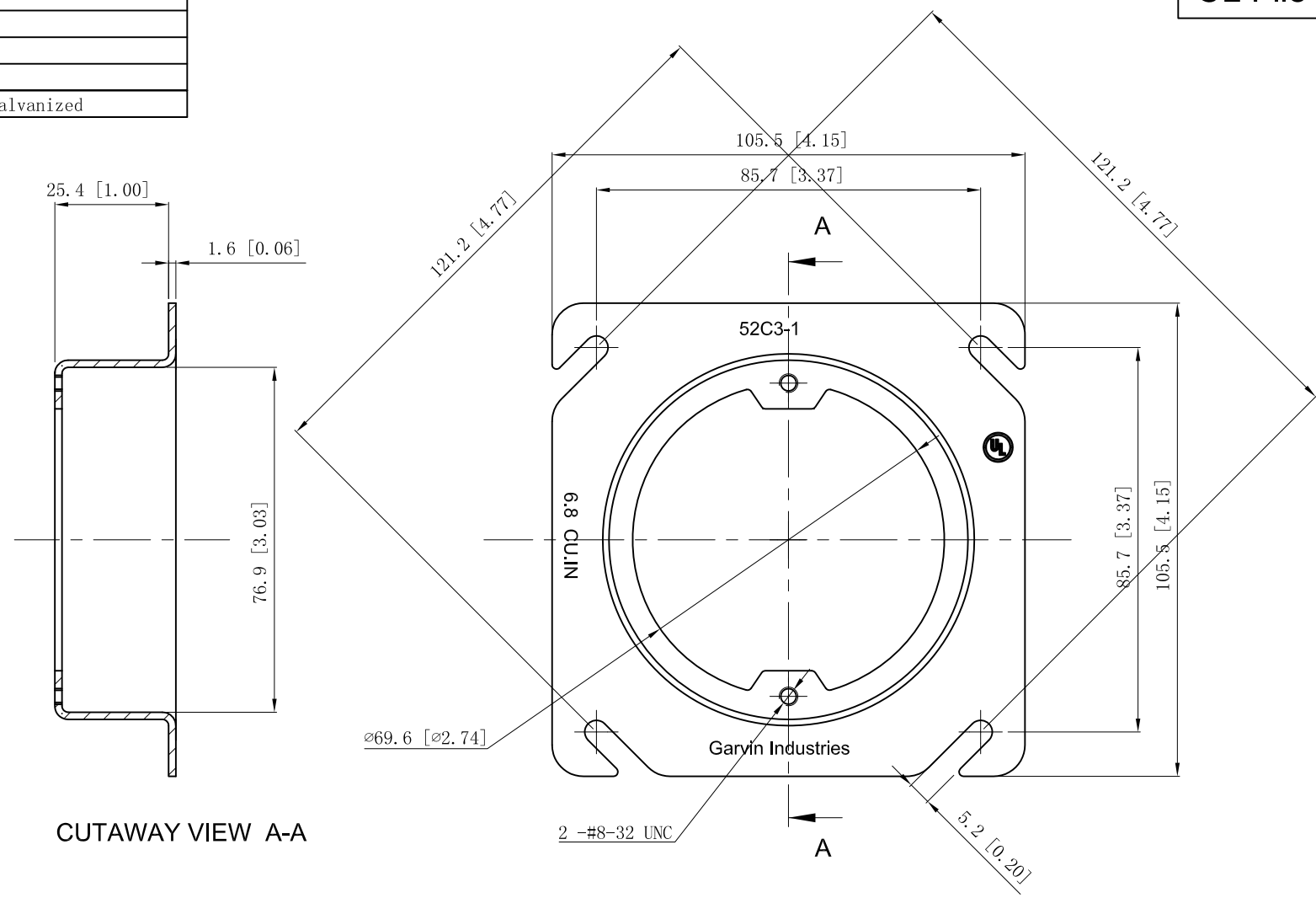


SIDES	BOTTOM
Material: Steel-0.0625"-G60 Galvanized	



CUTAWAY VIEW A-A

This data sheet is for reference only .GARVIN INDUSTRIES reserves the right to make changes to the design without prior notice.

DESCRIPTION
TRADE REFERENCE TERMS

STANDARD PACKING	<h1 style="text-align: center;">GARVIN INDUSTRIES</h1>		
50 PCS			
TITLE	4" SQUQRE-TO-ROUND DEVICE RINGS		
SIZE	DWG NO.	REV	
A4	52C3-1	A	
DATA SHEET			