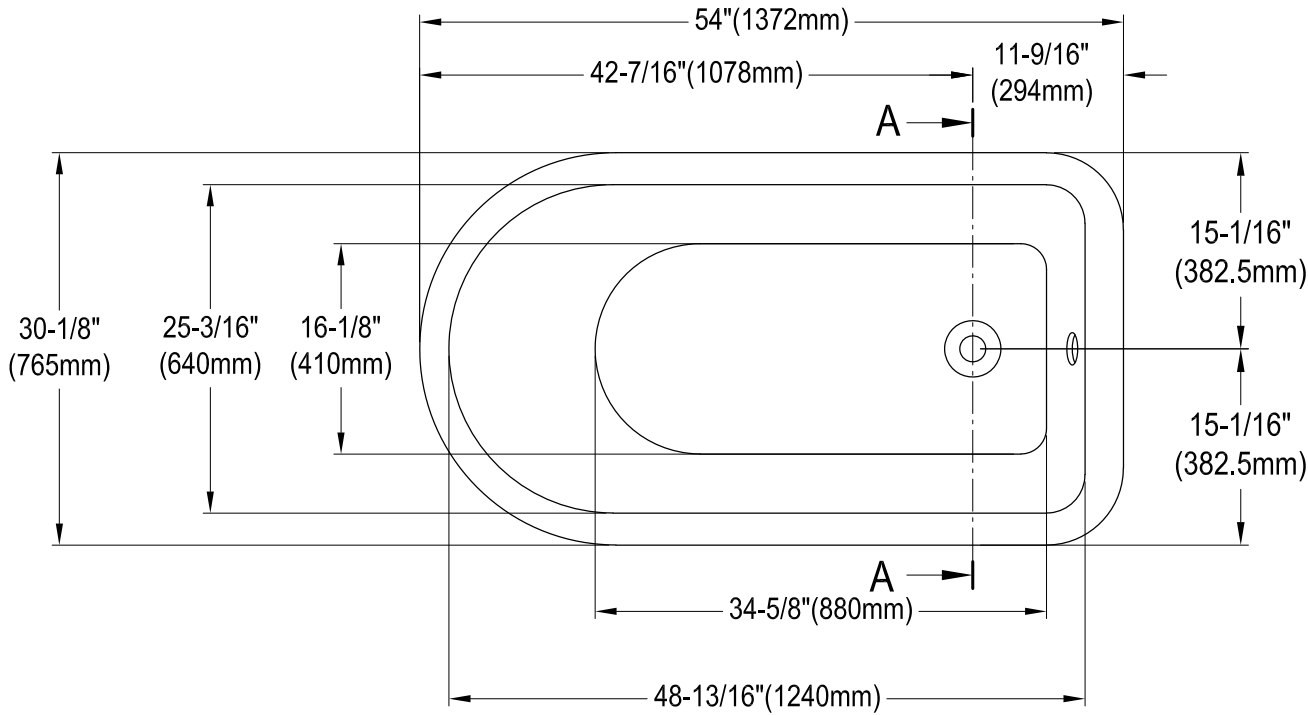


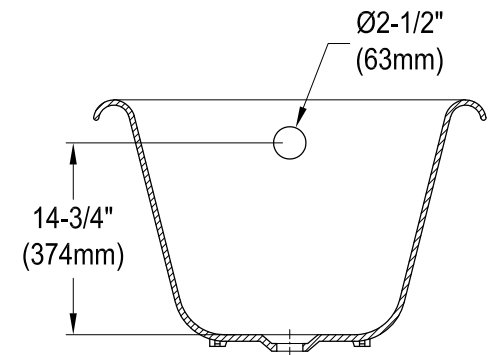
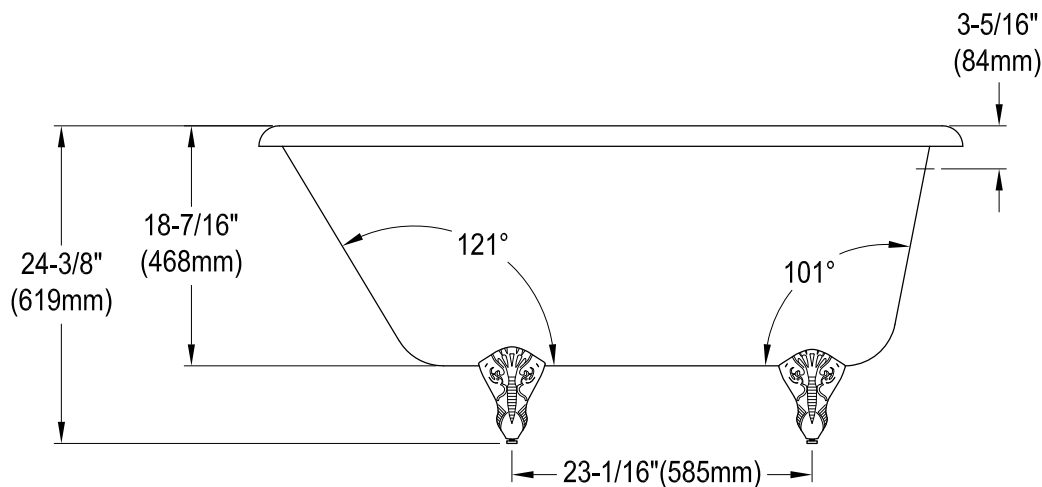
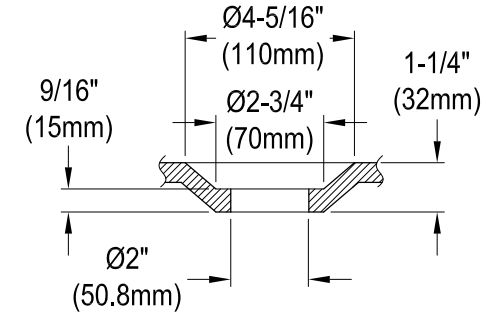
VCTND543019W0,1,5,6,7,8,H

54" Cast Iron Tub



Drain Hole Size

Scale (3:1)



Section A-A