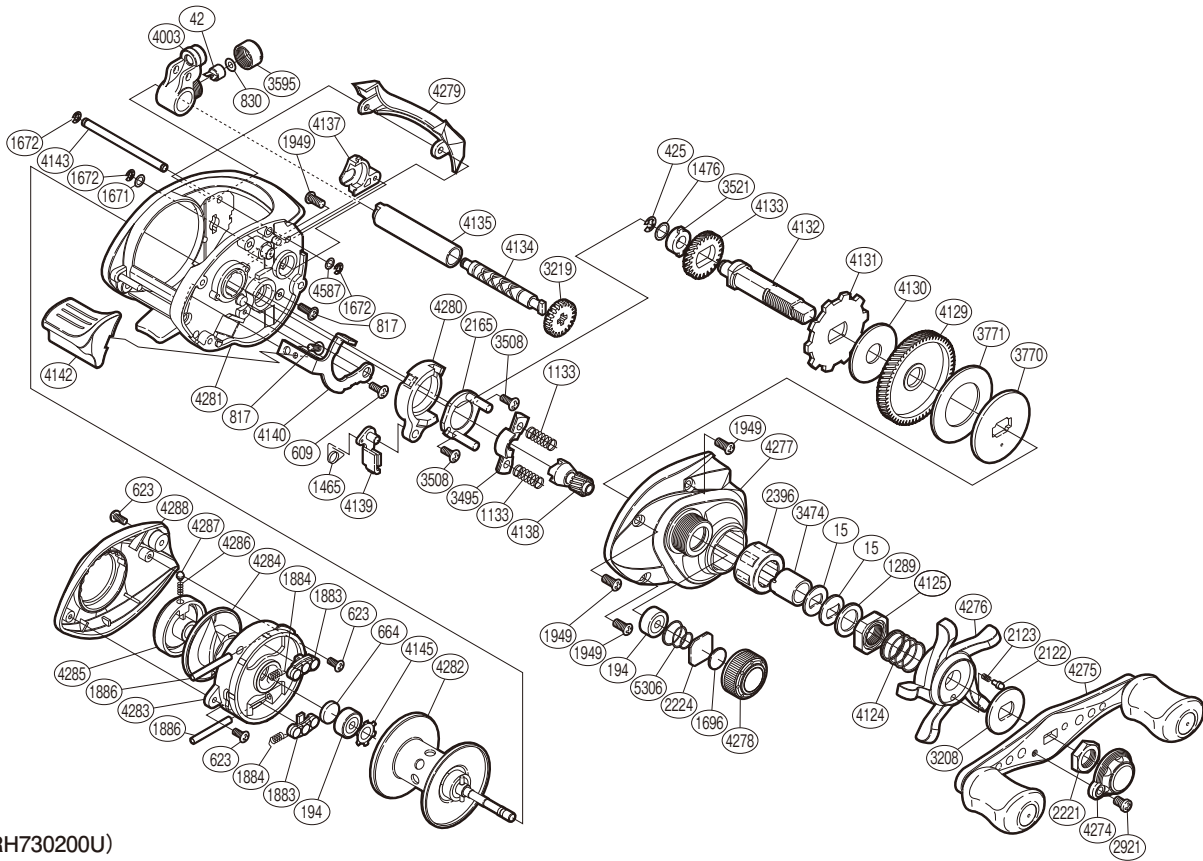


# SHIMANO

## CAIUS

### CAIUS-200



(51RH730200U)

#	Part No.	Description	#	Part No.	Description	#	Part No.	Description
15	10D60	Drag Spring Washer	2224	1085F	Spool Tension Spacer	4139	10MQN	Clutch Pawl
42	10FFZ	Line Guide Pawl	2396	10F5C	Roller Clutch Bearing	4140	10QLH	Clutch Plate
194	105BX	Ball Bearing	2921	10LZ1	Screw	4142	10CG9	Quick-Fire II Clutch Bar
425	105NE	E Lock	3208	10J22	Star Drag Click Plate	4143	10QSJ	Stabilizer Bar
609	10MT3	Screw	3219	10FP4	Idle Gear	4145	105SD	Cr Lock
623	103C0	Screw	3474	10MAY	Roller Clutch Inner Tube	4274	10Q64	Handle Retainer
664	1057S	Spacer B	3495	10P98	Yoke	4275	10CFD	Handle Assembly
817	10MPW	Screw	3508	103ND	Screw	4276	10AU7	Star Drag
830	10TZF	Spacer	3521	10MAM	Drive Shaft Bushing	4277	10PTG	Right Side Plate
1133	104BL	Yoke Spring	3595	10FJV	Pawl Cap	4278	10KDY	Cast Control Cap
1289	10J1L	Star Drag Spacer	3770	109EY	Key Washer	4279	10QGW	Level Wind Protector
1465	10N1Z	Clutch Pawl Spring	3771	10LN9	Drag Washer	4280	10K12	Clutch Cam
1476	10D69	Washer	4003	10NYW	Line Guide	4281	10EY5	One-Piece Frame
1671	10BHX	Washer	4124	10A70	Star Drag Spring	4282	10L7P	Spool Assembly
1672	105NC	E Lock	4125	10A07	Star Drag Nut	4283	10ATT	Dial Case
1696	10896	Cast Control Spacer	4129	10CP1	Drive Gear	4284	10A7F	Brake Cam
1883	10LKH	Magnet Retainer	4130	10CHX	Drag Washer	4285	10BNY	Magnetic Control Dial
1884	10F0C	Magnet Retainer Spring	4131	10D74	Anti-Reverse Ratchet	4286	10GUT	Click Spring
1886	10HRQ	Magnet Retainer Shaft	4132	105CM	Drive Shaft	4287	10BF8	Click Pin
1949	10LSR	Screw	4133	10J6Y	Idle Gear	4288	10D28	Left Side Plate
2122	10BT0	Click Pin	4134	104ZK	Worm Shaft	4587	10KF5	Washer
2123	10BT2	Click Spring	4135	10NFY	Level Wind Guard	5306	10TMT	Spool Tension Spring
2165	10F66	Clutch Cam Retainer	4137	10AS7	Drive Shaft Cover			
2221	10FNQ	Handle Nut	4138	10CSJ	Pinion Gear			

Please note that the number of adjusting washers may not be the same as shown in the exploded views.  
(Adjustment will vary with each individual product.)

(241029)\_002