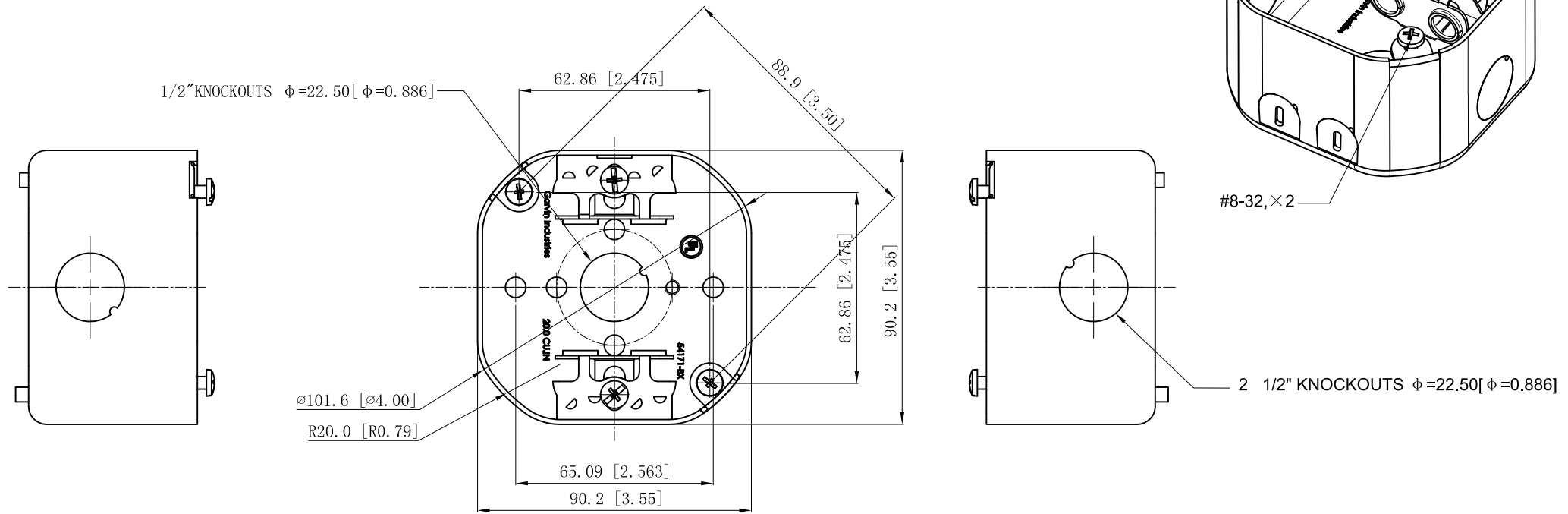
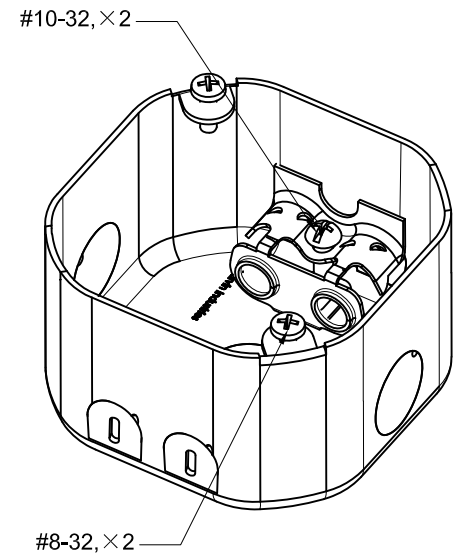
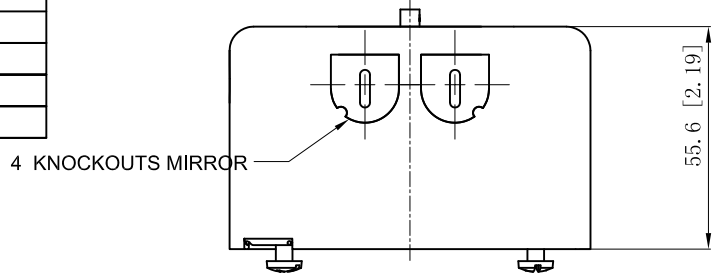


SIDES	BOTTOM
4 KNOCKOUTS	1/2" KNOCKOUTS
2 1/2" KNOCKOUTS	
2 PCS 8-32×1/2 Screws Installed	
2 PCS 10-32×1 Screws Installed	
Material: Steel-0.0625"-G60 Galvanized	



This data sheet is for reference only. GARVIN INDUSTRIES reserves the right to make changes to the design without prior notice.

DESCRIPTION
TRADE REFERENCE TERMS

STANDARD PACKING	GARVIN INDUSTRIES		
	4" OCTBX, 2-1/8"D, BX/MC		
TITLE	SIZE	DWG NO.	REV
	A4	54171-BX	A
DATA SHEET			
www.garvinindustries.com			