



ROMEX® BRAND SMARTBOX™ MULTI-MOUNT 2 GANG DEVICE BOX

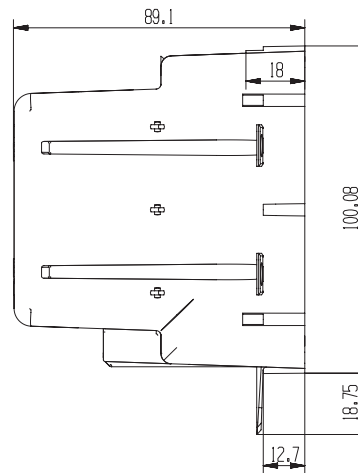
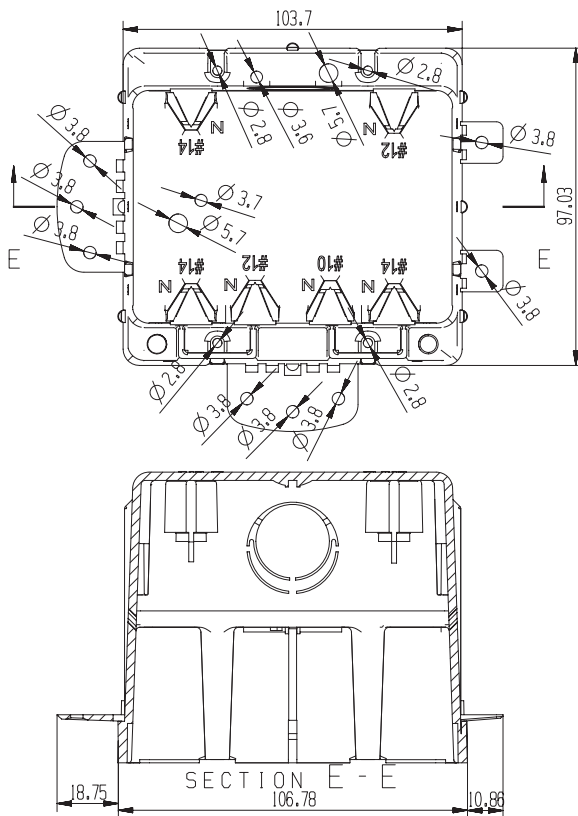
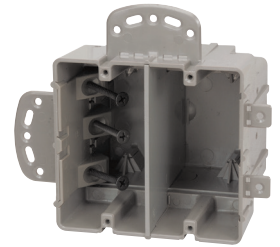


FEATURES:

- Removable nail tabs used for metal stud mounting.
- Removable interior mounting blocks allow for more cubic inch in the box.
- Built in mounting blocks on the top end of the box for vertical mounting.
- 1/2" knock outs for blue tube or PVC conduit connections.
- Low voltage wall dividers allow for low and line voltages in the same box.
- Vertical and horizontal mounting.

TYPE OF INSTALLATION: New Work & Old Work

CERTIFICATIONS: UL Listed E205857,
RoHS Compliant



MODEL#	MATERIAL	UPC	I20F5	MASTER QTY	TRADE SIZE	VOLUME	
MSBMMT2G	Polycarbonate	784297017711	50784297017716	30	2 Gang	37.00 cu. in.	
ITEM HEIGHT	ITEM WIDTH	ITEM DEPTH	ITEM WEIGHT	MASTER HEIGHT	MASTER WIDTH	MASTER DEPTH	MASTER WEIGHT
3.82 in.	4.80 in.	3.50 in.	0.43 lbs.	8.00 in.	15.50 in.	21.00 in.	12.85 lbs.

