

Features

- High-quality solid-brass construction for durability and reliability

Installation

- Includes hex wrench for installation

Recommended Products/Accessories

P31006-00 Hook

P21542-00 Multifunction Showerhead with Arm

P31008-00 Toilet Paper Holder



Codes/Standards



None Applicable

KALLISTA® Five-Year Limited Warranty

See website for detailed warranty information.

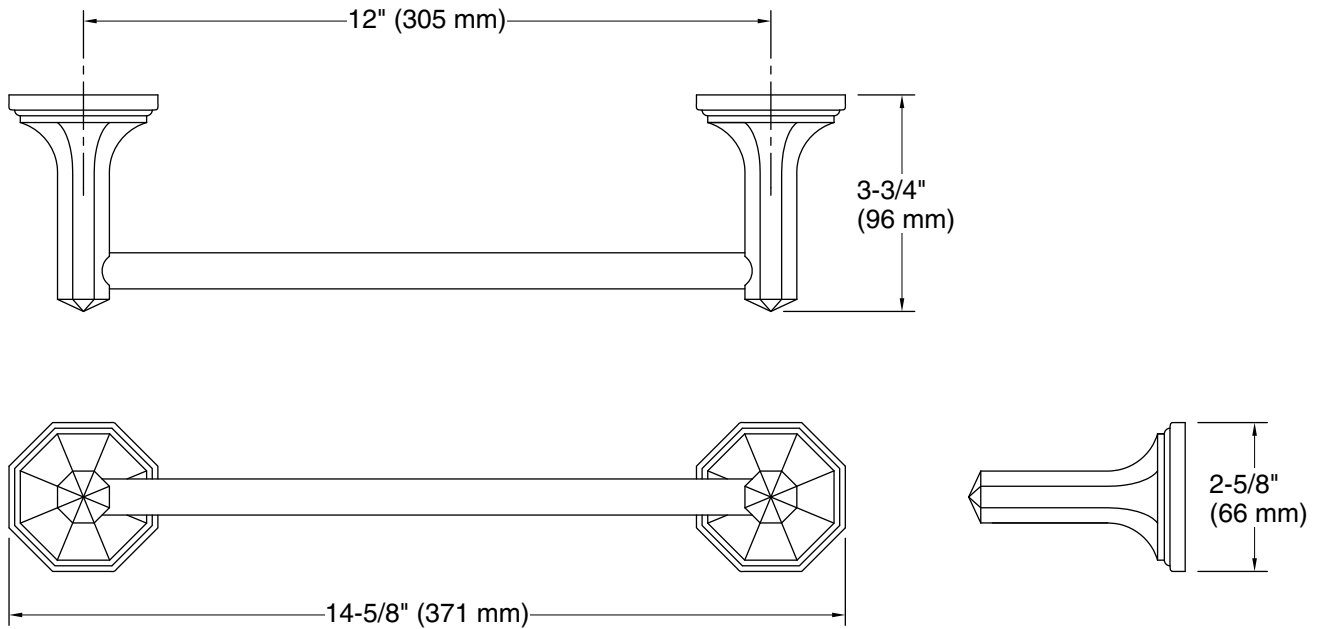
Available Colors/Finishes

Color tiles intended for reference only.

Color	Code	Description
	AD	Nickel Silver
	CP	Polished Chrome

KALLISTA®

For Town by KALLISTA
Towel Bar, 12"
P31001-00



Technical Information

All product dimensions are nominal.

Material: Brass

1-888-4-KALLISTA (1-888-452-5547)

Kallista reserves the right to make revisions without notice to product specifications.

For the most current Specification Sheet, go to www.kallista.com.

1-11-2026 19:30 - US