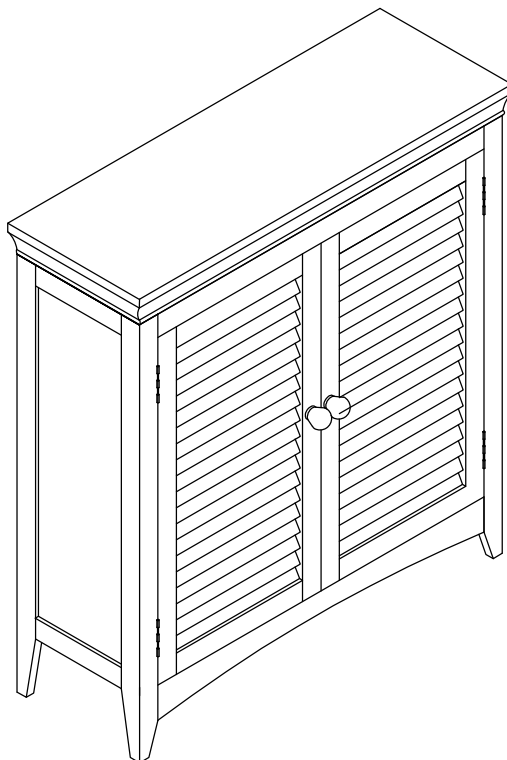


ASSEMBLY INSTRUCTIONS

FC-2 Shutter Doors



Please provide the following information when contacting for parts or questions: the name of the company you purchased from, the UPS/FedEx tracking number.

ASSEMBLY INSTRUCTIONS-IMPORTANT

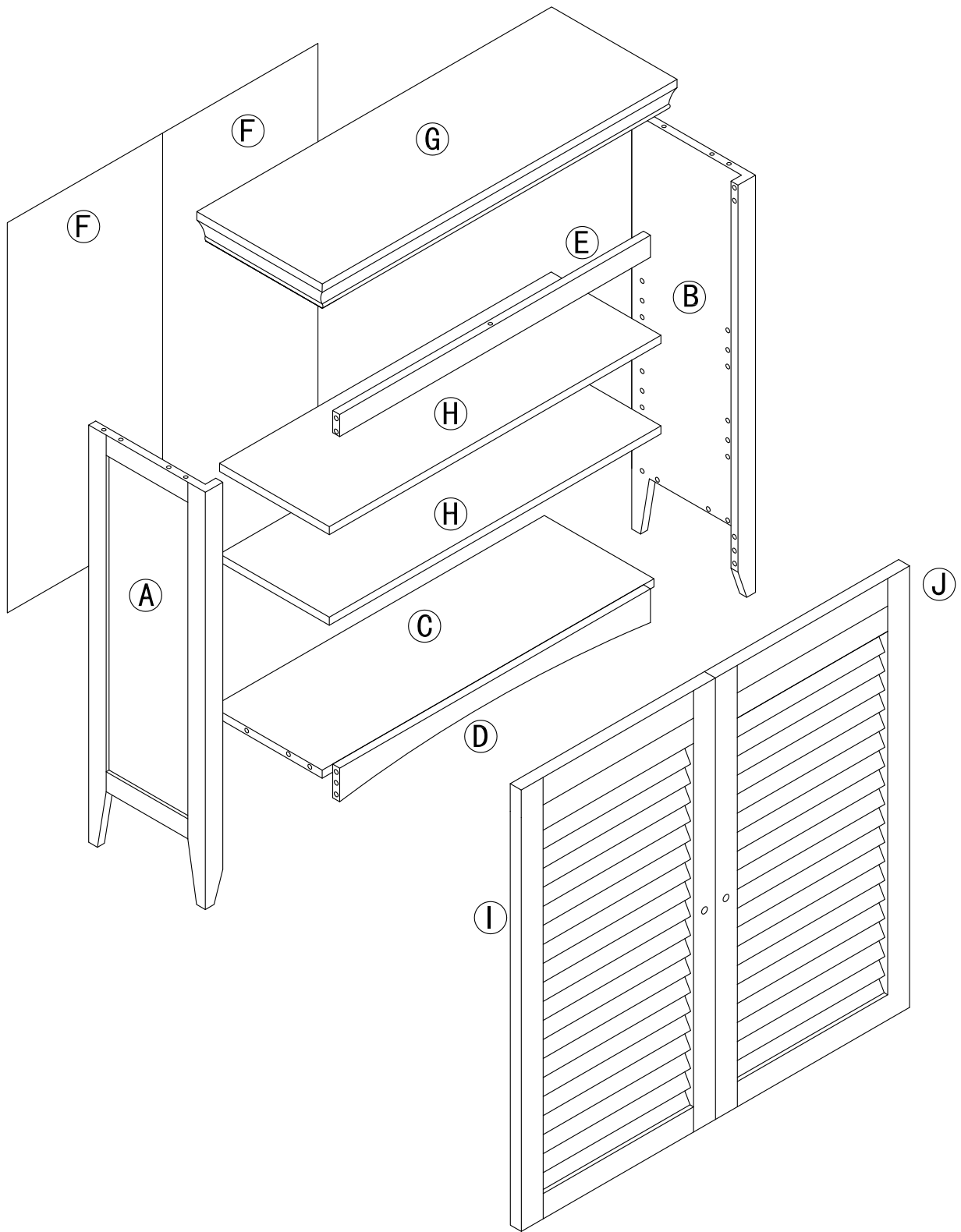
Carefully unpack & identify each component before attempting to assemble. Refer to parts list. Please take care when assembling the unit and always set the parts on a clean, soft surface. If you require any assistance with assembly, parts, please call the company you place order with or please email to: service@eleganthf.net

INSTRUCCIONES PARA ARMAR-IMPORANT:




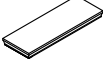



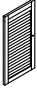

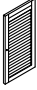
Desempaque cuidadosamente e identifique cada componente antes de tartar de empezar su ensambladura. Verifique la lista de partes. Por favor tenga cuidado cuando arme la unidad y siempre coloque las piezas sobre una superficie plana, suave y limpia. Si necesita ayuda con el armado, envíe un correo electzórico a service@eleganthf.net

DIRECTIVES DE MONTAGE-IMPORTANT:

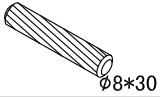
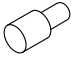
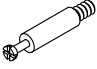
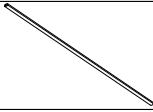
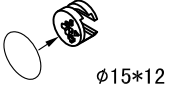
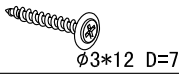
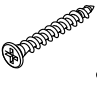

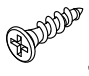
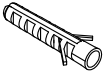




Avant de commencer l' assemblage, déballez délicatement toutes les pièces et repérez-les sur la liste des pièces. Procédez avec soins durant l' assemblage et posez toujours les pièces sur une surface proper, douce et lisse. sie vouo plait e-mail á service@eleganthf.net



COMPONENTS

PART	FIGURE	DESCRIPTION	QTY	PART	FIGURE	DESCRIPTION	QTY
A		LEFT SIDE PANEL	1PC	F		BACK PANEL	2PCS
B		RIGHT SIDE PANEL	1PC	G		TOP PANEL	1PC
C		BOTTOM PANEL	1PC	H		ADJUSTABLE SHELF	2PCS
D		BOTTOM RAIL	1PC	I		LEFT DOOR	1PC
E		UPPER RAIL	1PC	J		RIGHT DOOR	1PC

HARDWARE & TOOLS

PART	FIGURE	DESCRIPTION	QTY	PART	FIGURE	DESCRIPTION	QTY
1		WOODEN DOWEL	14PCS	8		SHELF PIN	8 PCS
2		CAM BOLT	10PCS	9		PLASTC BAR	1 PC
3		CAM LOCK	10PCS	10		SCREW	16PCS
4		SCREW	1 PC	12		FIX BELT	1 PC
5		SCREW	8 PCS	13		ANCHOR	1 PC
6		KNOB	2 PCS	14		SCREW	2 PCS
7		KNOB BOLT	2 PCS	15		WASHER	2 PCS

TOOL NEEDED:



**PHILIPS SCREWDRIVER REQUIRED
- NOT INCLUDED**

SUGGESTION:



TWO PEOPLE FOR ASSEMBLING



WARNINGS:

1. DO NOT LET ANY SHARP OBJECTS TOUCH OR RUB THE SURFACE OF THE PRODUCT.
2. WHEN ASSEMBLING, DO NOT LET CHILDREN PLAY AROUND THE WORKING AREA.
3. PLEASE CONFIRM ALL PARTS ARE CORRECT BEFORE STARTING THE ASSEMBLY PROCESS.
4. DO NOT TIGHTEN ALL BOLTS AND SCREWS COMPLETELY UNTIL THE ENTIRE UNIT HAS BEEN ASSEMBLED AND SET UP.

1

1



10PCS

2

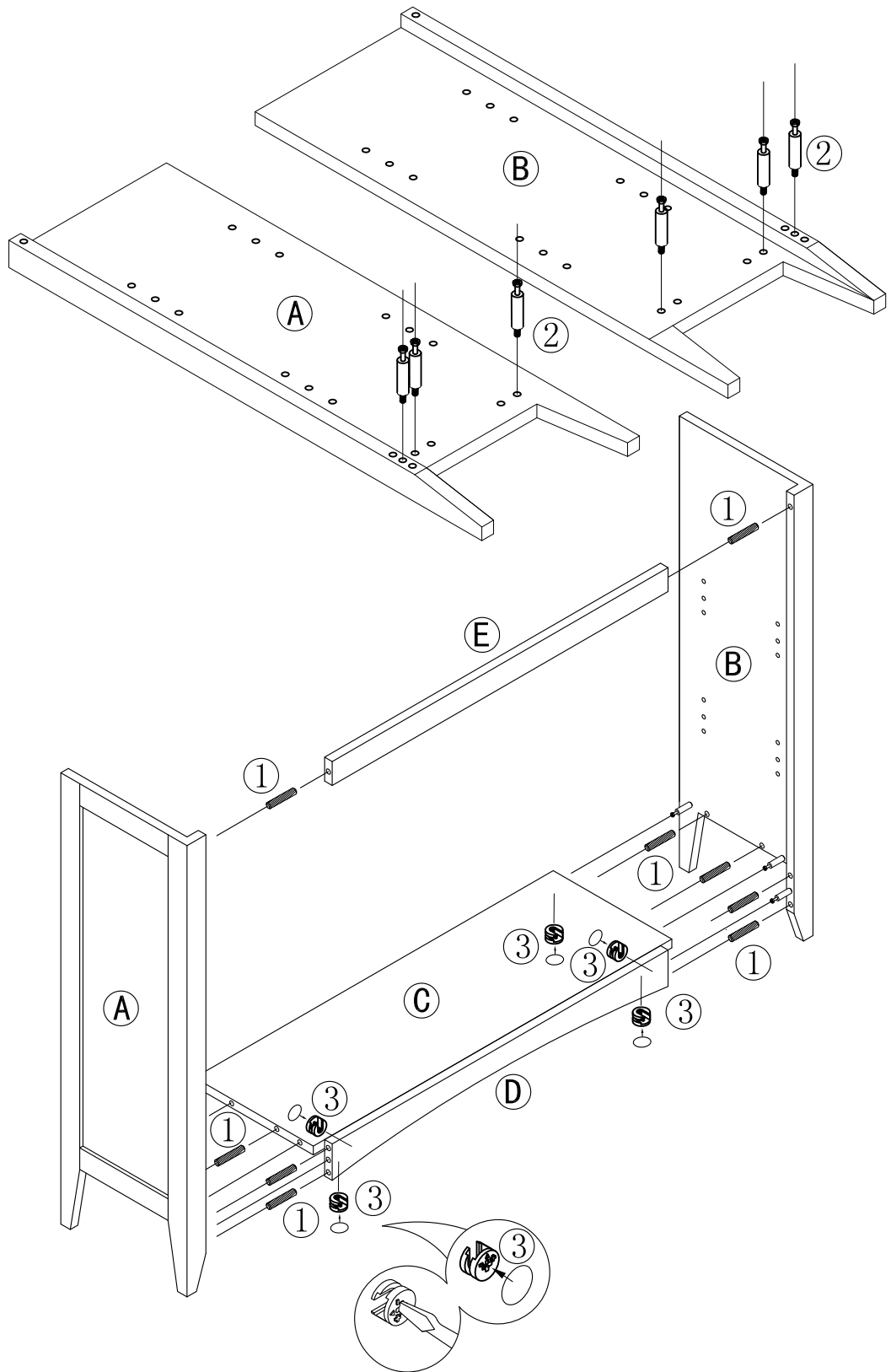


6 PCS

3



6 PCS $\phi 15 \times 12$



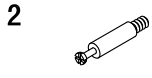
STEP 1:

1. Screw cambolts (2) and insert dowels (1) into side panels A & B.
2. Attach rails E & D and bottom panel C to side panels A & B.
3. Insert camlocks (3) into the holes indicated and turn the camlocks 45 degrees to secure the panels.

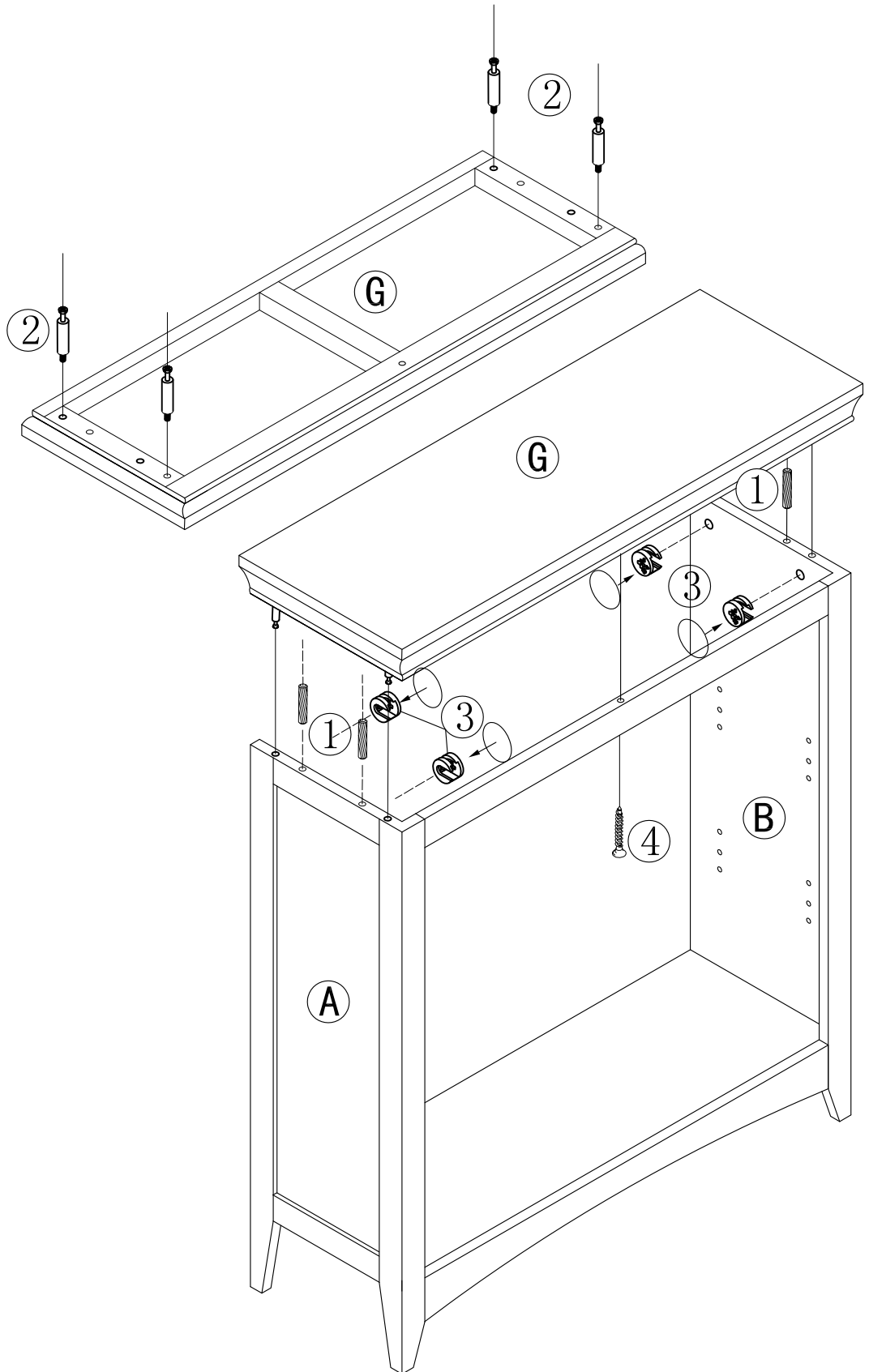
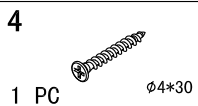
2



4 PCS



4 PCS

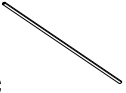


STEP 2:

1. Screw cambolts (2) into top panel G.
2. Insert dowels (1) into side panels A & B as indicated.
3. Insert camlocks (3) into the holes indicated and turn the camlocks 45 degrees to secure the panels.
4. Secure rail E to top panel G with screw (4).

3

9

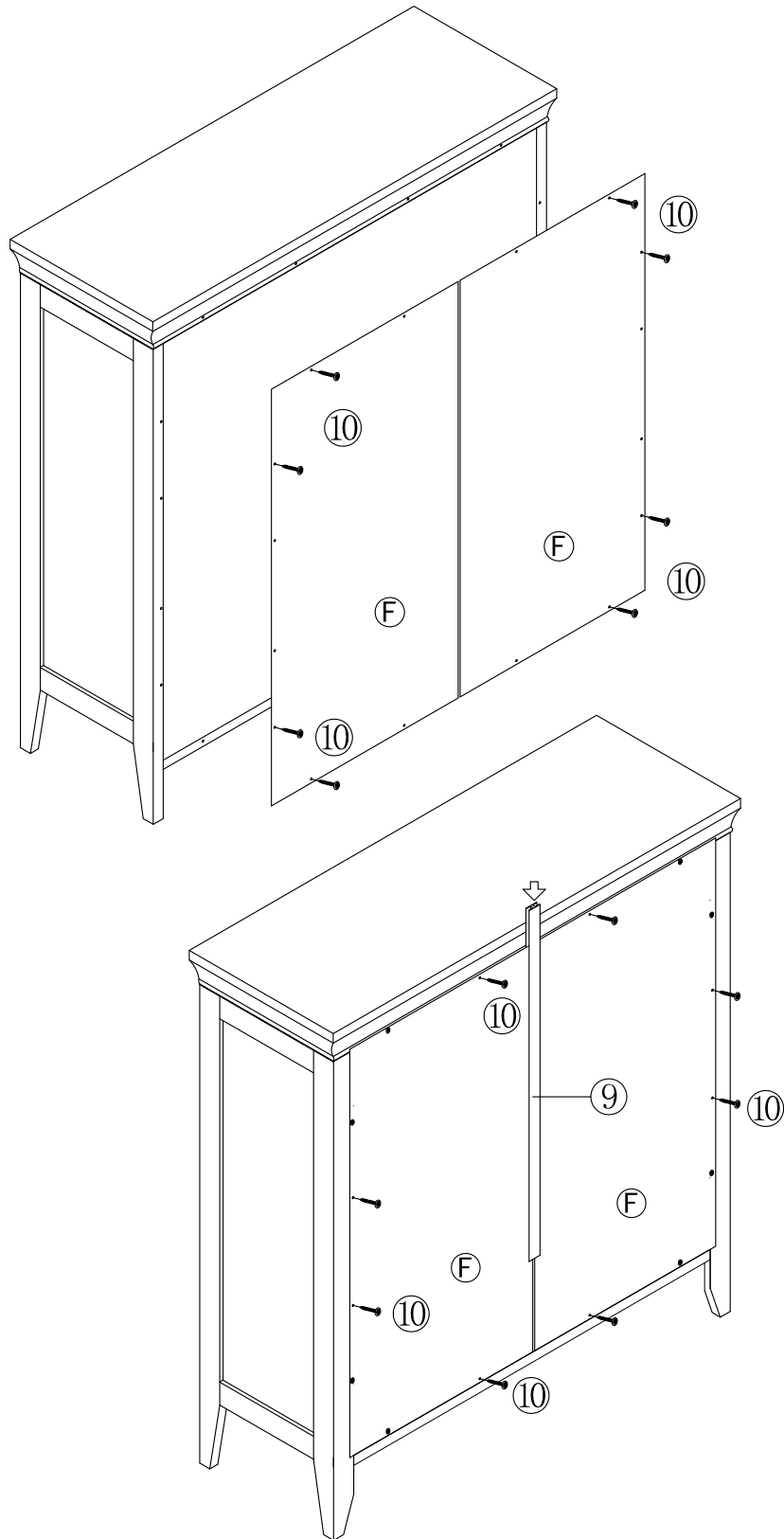


1 PC

10



16PCS $\phi 3 \times 12$ D=7

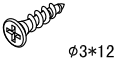


STEP 3:

1. Attach the corners of back panels F with screws(10).
2. Slide in plastic bar (9) between back panels F and use screws (10) to finish securing back panels F.

4

5



8 PCS

φ3*12

6

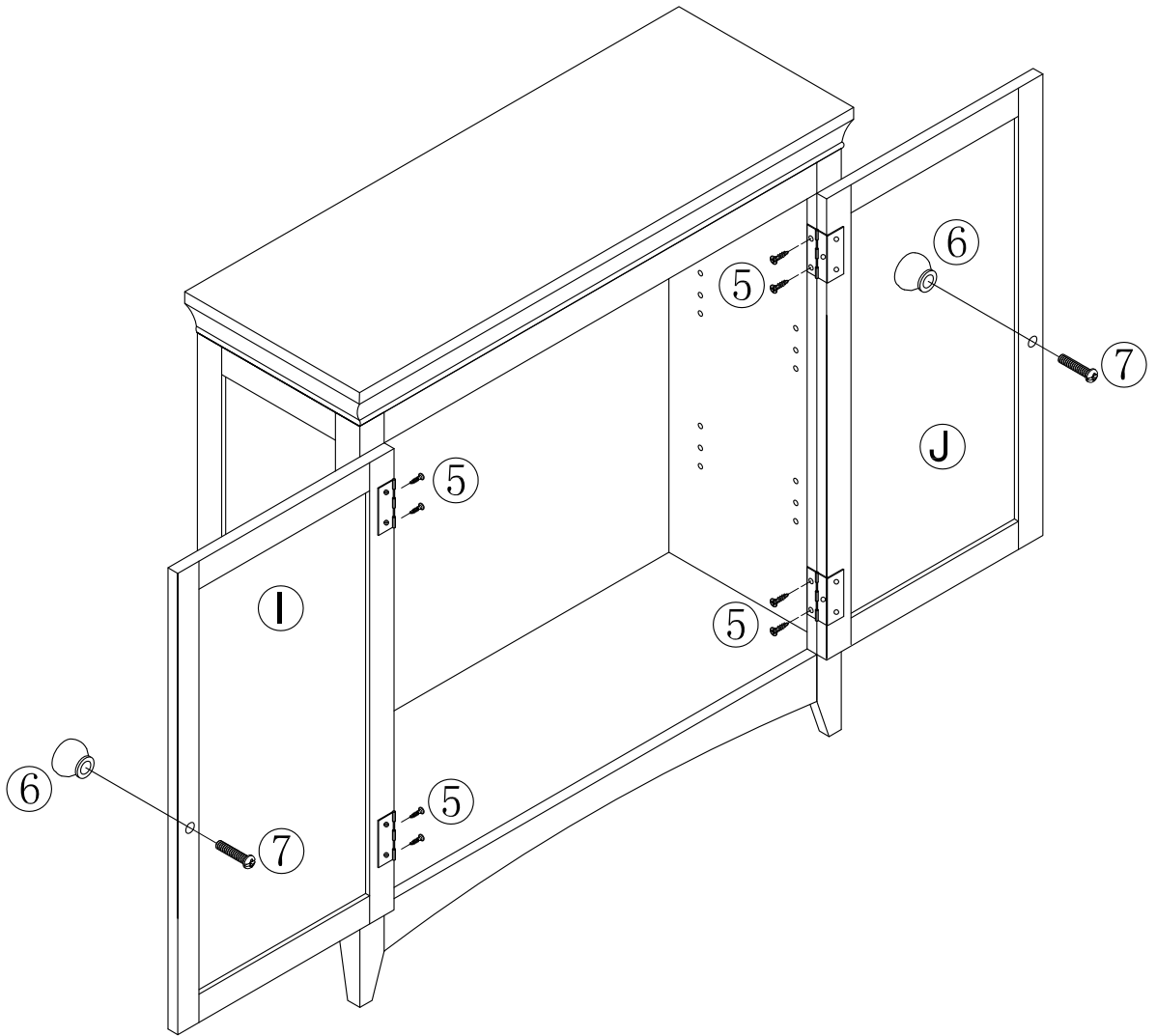


2 PCS

7



2 PCS



STEP 4:

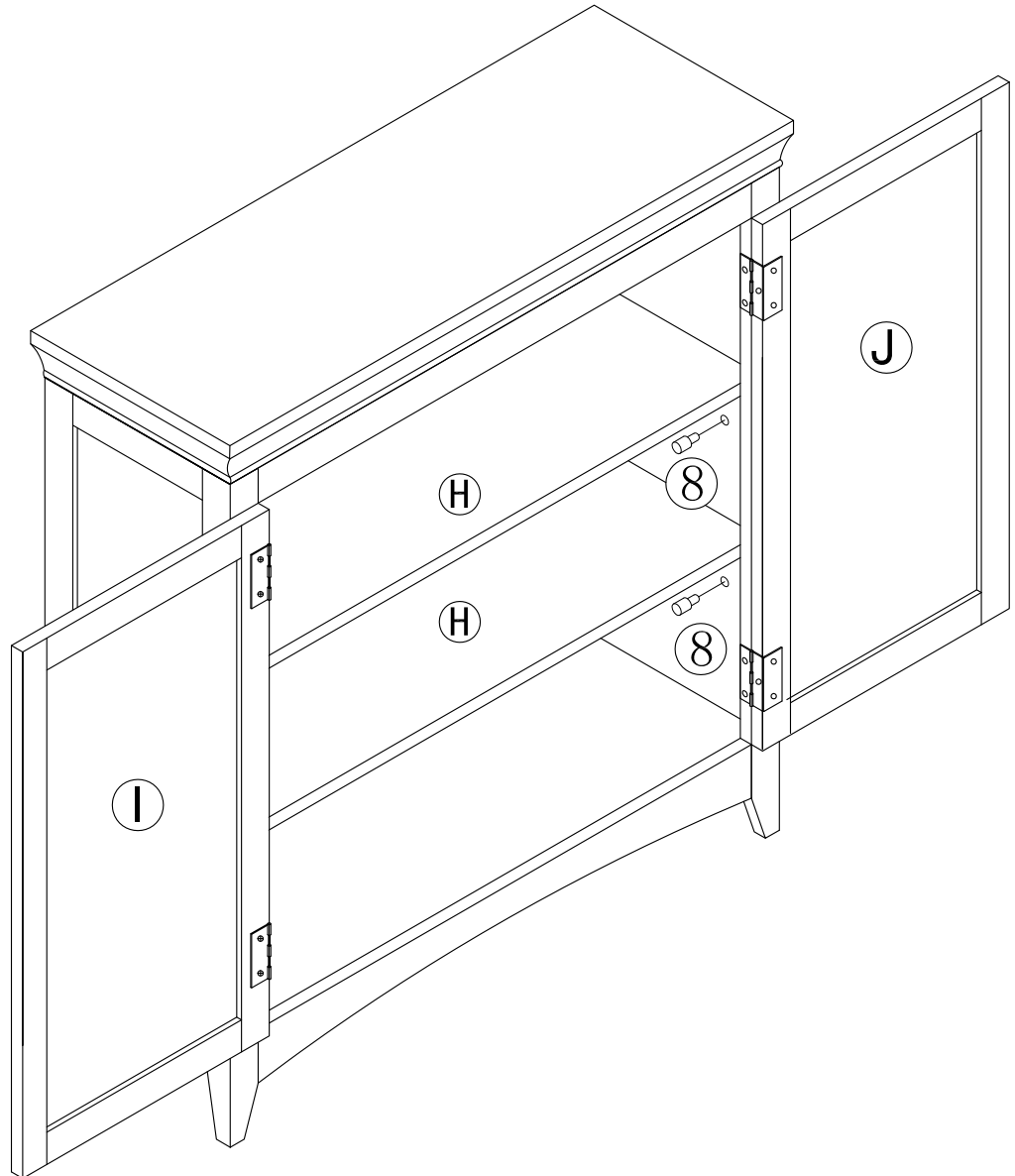
1. Attach knobs (6) to doors I & J with screws (7).
2. Attach doors I & J to the cabinet with screws (5).

5

8



8 PCS



STEP 5:

- 1. Insert shelf pins (8) into side panels A & B as indicated.**
- 2. Rest adjustable shelves H on the shelf pins.**

6

12
1 PC



13
1 PC



14
2 PCS $\phi 4 \times 25$



15
2 PCS

