

Reorder Nos. **10441**
10448
10449

 Manufactured for:
Dynarex Corporation
10 Glenshaw Street
Orangeburg, NY 10962
USA • www.dynarex.com
Made in China



DynaRest™ Airfloat 100

Air Mattress with Pump



IP21

INTRODUCTION

Thank you for purchasing the DynaRest™ AirFloat 100 Air Mattress with Pump. This user's manual provides instructions on how to correctly use the product and gives valuable advice regarding your safety. Please read through the manual carefully before using the product. Should you have any questions, please contact your dealer for advice and assistance.

WARNINGS

Keep this manual in a safe place and refer to the manual before use and under proper medical supervision. Improper operation of this system may cause damage to the product and possible injury to the user.

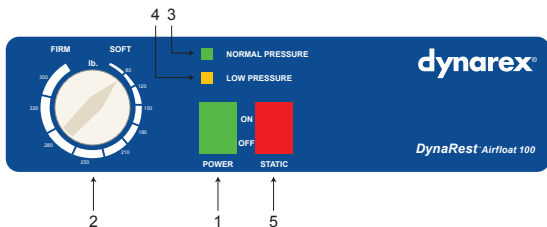
- Do not use this product or any available optional equipment without first completely reading and understanding this instruction manual. If you are unable to understand the warnings, cautions or instructions, please contact a healthcare professional, dealer or authorized technician before attempting to use this equipment, otherwise injury or damage may occur.
- Only qualified personnel trained in the treatment and prevention of bedsores should operate this device.
- Attention has to be paid to a potential danger that requires correct procedures or practices in order to prevent personal injury.
- Close supervision is necessary when this product is used by, on, or near children or persons with a disability.
- Keep the unit and cord away from heat sources and liquids.
- Never block the air openings of the product or place it on a soft surface, such as a bed or couch, where the air openings may be blocked. Keep the air openings free of lint, hair and the like.
- Do not use outdoors or operate where aerosol (spray) products are being used.

INTENDED USE

The DynaRest™ AirFloat 100 Air Mattress is designed for bed sore and wound care therapy treatment and prevention, which may occur during an extended hospital stay and nursing home / long term care environment.

- Never drop or insert any object into any opening or hose.
- Do not remove the housing of the Control Unit to avoid electrical shock. All disassembly or repair should be done by professional technicians.
- Never operate this product if it has a damaged cord or plug, if it is not working properly, if it has been dropped or damaged, or dropped into water. Return the product to a service center for examination or repair.
- Connect this product to a properly grounded outlet only.
- Make sure the pump unit is suitable for the local power voltage.
- Avoid damaging the plug or cables when moving the patient or bed.
- Ensure that the cables are safe and tidy and not caught in the bed mechanism or resting on the floor.
- Do not allow children to play with or operate the pump or mattress.
- Do not use this product for any purpose other than what is indicated in this manual.
- Dynarex declines all liability for any consequences resulting from incorrect use of this product and from any unauthorized alterations of this product.
- The manufacturer reserves the right to change the information contained in this document without prior notice.

CONTROLS AND FEATURES



1. Power Switch

Turn ON/OFF the power, the pump will start/stop operation.



2. Pressure Adjust Knob (adjustable by patient's weight)

Turn the Pressure Adjust Knob to set a comfortable pressure level by using the weight scale as a guide.



3. Normal Pressure Indicator

A visible indicator (green) shows the pressure has reached a preset level.



4. Low Pressure Indicator

A visible indicator (amber) warns the pressure is below a preset level.



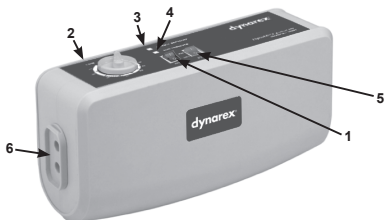
5. Mode Toggle Switch

Turn the switch to "Alternating" to turn on the alternating pressure function. Turn the switch to "Static" to turn on the static mode.

NOTE: In static mode, the mattress provides a firm surface that makes it easier for the patient to transfer or reposition. The static mode helps prevent the patient from bottoming out when in a sitting position.

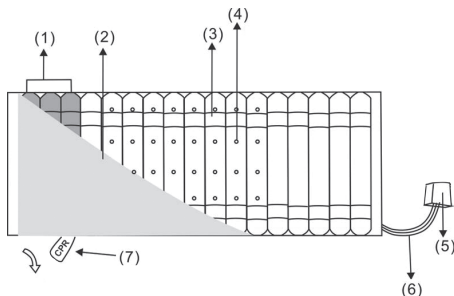
NOTE: After toggling the Mode Switch it might take up to 6 minutes for the new mode to start

PUMP



- 1 - Power switch
- 2 - Pressure adjust knob
- 3 - Normal pressure indicator (green)
- 4 - Low pressure indicator (amber)
- 5 - Static control
- 6 - Air pressure valve

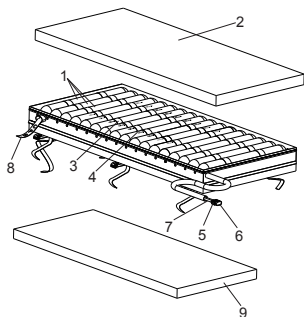
10441 & 10448 MATTRESS



- 1 - Pillow function cells
- 2 - Cover
- 3 - Fixing belt
- 4 - Low air loss holes
- 5 - Male quick connector
- 6 - Air tubing
- 7 - CPR Valve

10449 MATTRESS

- (1) Pillow
- (2) Cover
- (3) Fixing belt
- (4) Low air loss holes
- (5) Male quick connector
- (6) Protective cap of connector
- (7) Air tubing
- (8) CPR valve
- (9) Foam Base



STORAGE

1. Switch off power from main and unplug, separate the pump from the mattress and place the mattress flat.
2. Fold the mattress in two from mattress foot to head.
3. Allow time for air to escape from mattress to reduce storage space.
4. Close the protective cap cover on the quick connector.

GENERAL CONDITIONS OF DISPOSAL

Dispose of the device in the appropriate disposal areas for recycling. At the end of its life, the product must not be disposed of along with other domestic waste.

MAINTENANCE

In case of repair, use only original spare parts and accessories. For spare parts and accessories, please contact Dynarex or an authorized dealer.

CLEANING AND DISINFECTION

WARNING! Unplug the pump before starting the cleaning procedure.

1. Clean the mattress with mild soap.
2. Do not immerse or soak pump unit.
3. After cleaning, dry the mattress without direct sunlight exposure.
4. Check that the connection tubes are not obstructed by dust or other objects. Use a soft swab to clean the tubes if necessary.

NOTE: Never use acids, alkalis or solvents such as acetone to clean the mattress.

TROUBLESHOOTING

If your questions can't be answered with below information, please contact your local agent directly. They might require a technician to take care of the problem.

No lights on unit	Check control unit is connected to the main power supply and that the unit is switched on. Check quick blow fuse on the control unit or main plug fuse.
Low pressure alert	Check main power to the control unit and that the plug is switched. Check mattress air supply connector is connected to the pump unit correctly. Check CPR connector is connected properly. Under the mattress cover check all "T" & "L" connectors are connected to the air tubes. Check the connector tubes for kinks, crimps or damage.
Patient's body is sagging in the middle/bottoming out	Increase the value of the comfort setting. Wait a couple of minutes so pressure can stabilize before making another change.
Control lock up or "freeze"	Turn the control unit off and unplug the pump. Wait a few minutes and plug the control unit back in. Turn on the control unit.

INSTALLATION

1. This is a replacement mattress. Place the mattress directly on the bed frame, with the air hose connectors positioned at the footboard.
2. Hang the pump onto the bed board (footboard side) using the hooks on back of the pump, or place it on a flat surface.
3. Connect air hose connectors from air mattress to the pump unit. Ensure the air hoses are not kinked or tucked under the mattress.
4. Plug the power cord into the electrical outlet.
5. Turn the power ON.
6. Wait 30-40 minutes for mattress to fully inflate.

TECHNICAL FEATURES

FEATURE	PUMP CONTROL UNIT
Power Supply	120 V / 60 Hz, 1A
Air output	8 liter/min.
Fuse Rating	1A / 250 V
Pressure	30 mmHg-60 mmHg
Dimensions	11 (W) × 6" (L) × 3.5" (H)
Cycle	5 minutes "A" inflation 5 minutes "B" inflation 10 minutes total inflation
Weight	3 lb.
Environment Temperature	Operation: 50°F~95°F (10°C~35°C) Storage: 5°F~122°F (-15°C~50°C)
Environment Humidity	Operation: 15%~90% non-condensing Storage: 15%~90% non-condensing

FEATURE	MATTRESS
Dimensions	10441: 80" (L) × 35" (W) × 8" (H) 10448: 84" (L) × 35" (W) × 8" (H) 10449: 80" (L) × 36" (W) × 8" (H)
Max Weight	400 lb.
Weight	17.6 lb.

WARRANTY

Your Dynarex DynaRest™ Airfloat 100 is warrantied to be free of defects in materials and workmanship for One (1) year for the original purchaser. This item was built to exacting standards and carefully inspected prior to shipment. This Limited Lifetime Warranty is an expression of our confidence in the materials and workmanship of our products and our assurance to the consumer of years of dependable service.

The Warranty shall not apply under the following conditions:

- Problems arising from normal wear
- Problems arising from failure to adhere to the product instructions
- Problems arising from misuse, negligence, accident or improper operation, maintenance or storage
- Problems arising from modifications or unauthorized repairs, parts or attachments
- Products where the serial number has been removed or defaced
- Problems with non-durable components, such as rubber accessories, casters, and grips, which are subject to normal wear and need periodic replacement

Dynarex shall not be liable for any consequential or incidental damages whatsoever. Dynarex shall repair or replace defective products at its option. The foregoing warranty is exclusive and in lieu of other express warranties, if any, including the implied warranties of merchantability and fitness of a particular purpose. The remedy for any violation of the implied warranty shall be limited to repair or replacement of the defective product pursuant to the terms contained herein.

If you have a question about your Dynarex device or this warranty, please contact an authorized Dynarex dealer.



SYMBOL GLOSSARY

For an explanation of symbols
used in Dynarex packaging, visit
dynarex.com/symbols.php