

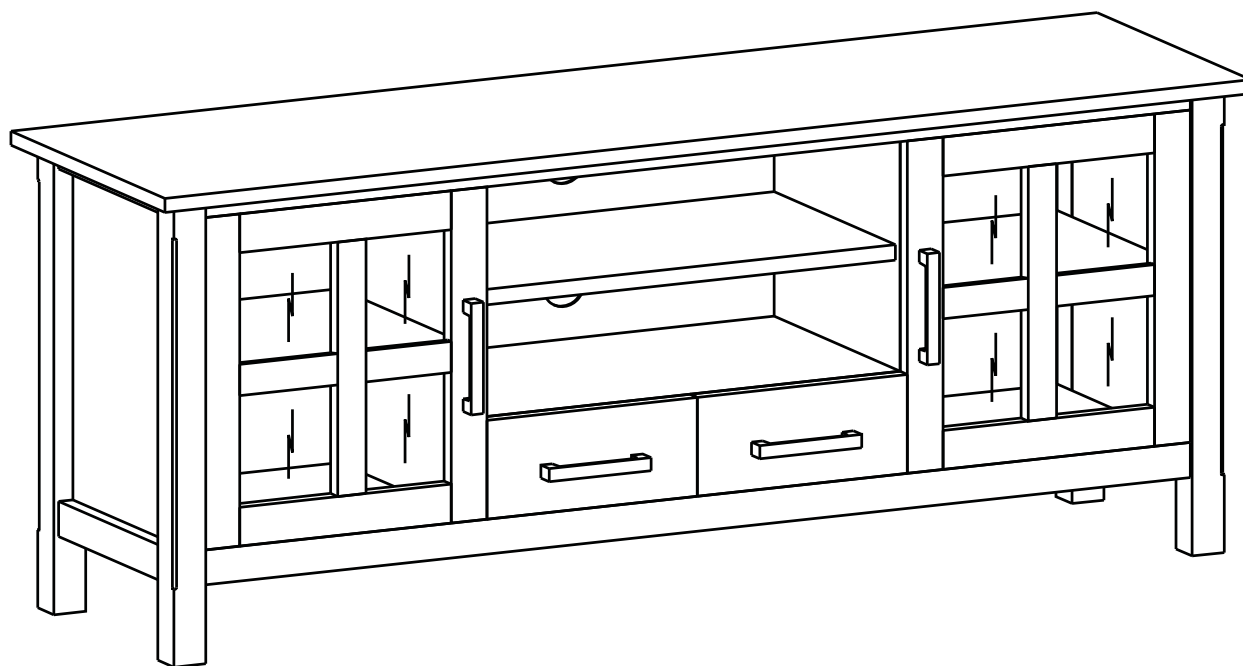
SIMPLI™
HOME
LIFE BY DESIGN

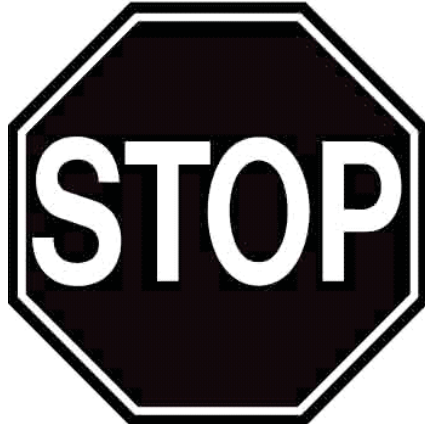
Wyndent Hall™
HOME DECOR
brooklyn + max™

KITCHENER / WATERLOO / PROVIDENCE

60 INCH WIDE TV MEDIA STAND

MODEL # 3AXCRIDTVS-60W



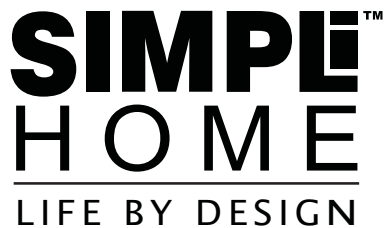


**FOR REPLACEMENT PARTS OR HELP WITH
ASSEMBLY PLEASE CONTACT US AT:**

simpli-home.com/customer-support

**PLEASE ENSURE TO HAVE THE MODEL #
FROM THE PACKAGING OR INSTRUCTION BOOKLET**

**TO RETURN THE PRODUCT:
PLEASE CONTACT THE RETAILER
WHERE THE ITEM WAS PURCHASED FROM**



**ENTER
TO WIN**

**Upload an image of our furniture
in your home with a short review
to our facebook page for a chance to**

**Win up to \$3000 of
Simpli Home furniture!!!**

www.facebook.com/simplihomefurnishings



IMPORTANT : Please read this manual carefully before beginning assembly of this product. Keep this manual for future reference.

SAFETY INFORMATION

CAUTION: Injuries and damage can occur from furniture tip over if product is not properly anchored to the wall. Use the Furniture Anti-Tipping Restraint provided with the product. Consult our assembly instructions for help. If the Furniture Anti-Tipping Restraint kit is not in the box, please contact our customer service department in order to obtain another kit before using the furniture.

Identify all the parts and hardware. Do not discard of the packaging until you have checked that you have all of the parts and hardware required. Hardware package may have spare parts.

WARNING: This item contains small parts which can be swallowed by children and pets. Keep children and pets away during assembly. To avoid danger of suffocation, always keep plastic bags away from children and pets. We recommend that you assemble this unit on a carpeted floor to avoid scratches. If using power tools, set the tool to low torque to avoid damage.

May require 2 people for ease of assembly.

Wood Furniture Care

Perhaps the greatest environmental damage to wood furniture comes from wide swings in relative humidity (RH) in our homes. Wood absorbs and desorbs water as relative humidity rises and falls, and in doing so it swells and shrinks. Making matters worse, it expands and contracts unequally along different grain directions. As humidity changes, the components of wooden objects are continually pushing and pulling against each other. This pressure often results in parts of furniture no longer fitting together closely or becoming distorted or breaking from their own internal stresses.

The response to relative humidity changes begins with determining the annual average RH for your particular space. Then try to keep the RH in the space where your furniture is as close to that average as possible, generally within about 10% up or down. De-humidify in the summer and humidify in the winter.

Be aware that raising the temperature lowers the humidity and vice versa. Thus, modern heating systems, which can drive down interior RH in the winter, almost invariably cause problems for furniture. To counteract their effect, you can either modify the RH by keeping furniture containing spaces cooler in the winter or most importantly, have a good working humidifier for your home. A humidistat automatically works to balance the humidity in your home so it is constant. Dry indoor air can suck enough moisture from its surroundings to do permanent damage to wood, causing it to crack or split.

Remember, that not all woods are created equal. Two factors that help determine how rapidly a wood will lose moisture are pore size and surface hardness. A piece made from a dense and hard wood will dry less rapidly than pieces made from softer woods.

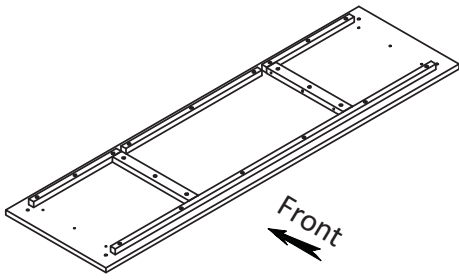
Furniture that is sealed and lacquered will lose moisture more slowly than an unfinished piece while pieces with veneer finishes are not only stronger, but lose moisture more slowly than other finishes.

To help protect your wood furniture, take these steps:

- Use a humidifier, preferably one with an automatic control system that can sense the humidity level and adjust itself accordingly. Don't over-humidify; that can damage wood by causing it to expand and contract.
- Keep furniture out of direct sunlight, which can cause it to dry out, crack and warp.
- If you can avoid it, don't put furniture near heating vents. If you must, keep the piece 3 to 4 inches away from the wall, giving the heat and air space to circulate.
- Dust with soft dry cloth.
- Do not use liquid or aerosol products.
- To avoid marking, do not place rubber ON SURFACE (FOOT PADS, ETC)
- For soil build-up, wipe with damp cloth & dry.
- Do not use abrasive cleaner.

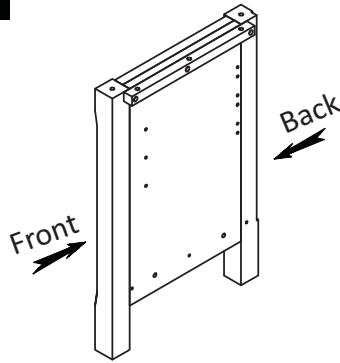
PARTS DESCRIPTION

A



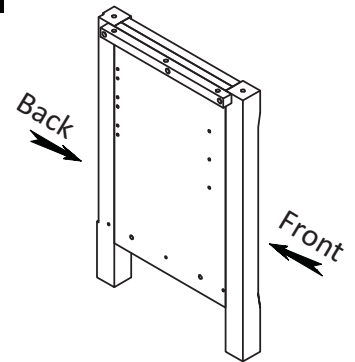
TOP
QTY 1

BL



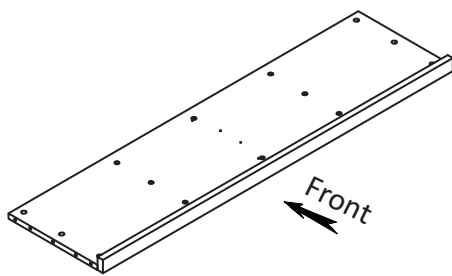
LEFT SIDE
QTY 1

BR



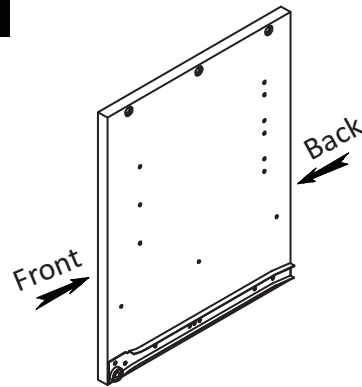
RIGHT SIDE
QTY 1

C



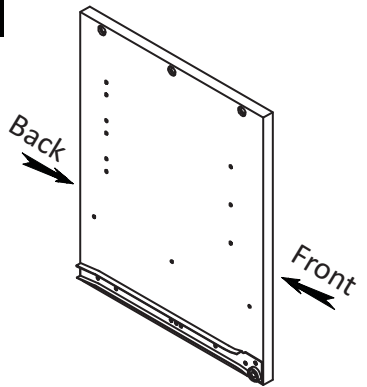
BOTTOM SHELF
QTY 1

DL



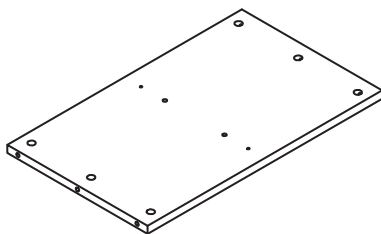
LEFT DIVIDER 1
QTY 1

DR



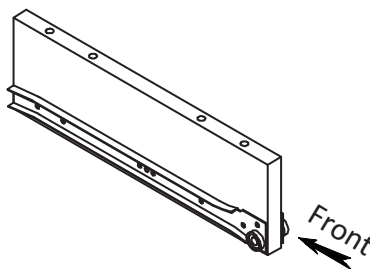
RIGHT DIVIDER 1
QTY 1

E



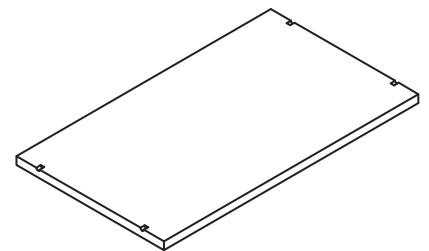
CENTRE SHELF
QTY 1

F



DIVIDER 2
QTY 1

G

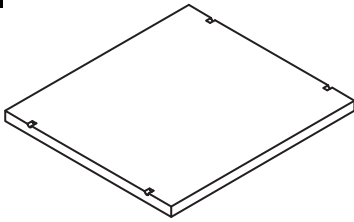


CABINET SHELF
QTY 1

NEED HELP? For help with assembly or if you are missing a part,
Please call customer service at 1-866-518-0120 ext. 262 (9 am to 4 pm EST)

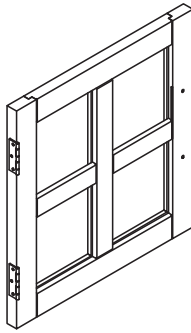
PARTS DESCRIPTION

H



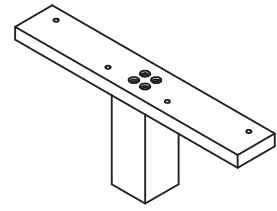
CABINET SHELF
QTY 2

I



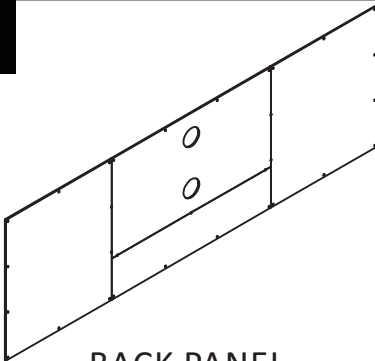
DOOR
QTY 2

J



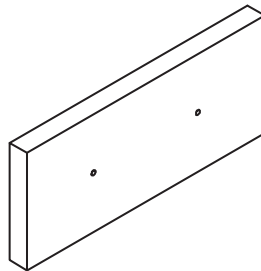
BOTTOM SUPPORT LEG
QTY 1

K



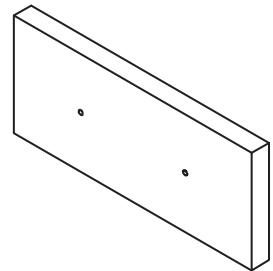
BACK PANEL
QTY 1 SET

LL



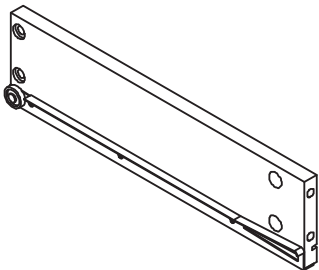
LEFT DRAWER FRONT
QTY 1

LR



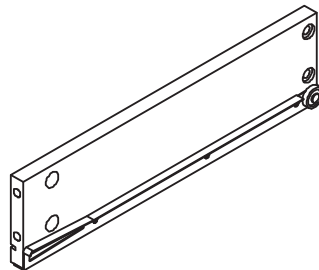
RIGHT DRAWER FRONT
QTY 1

ML



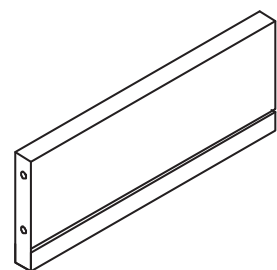
LEFT DRAWER SIDE
QTY 2

MR



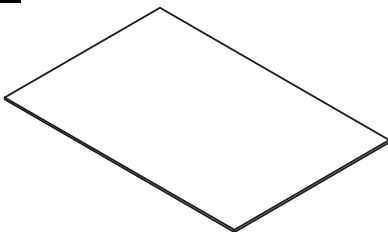
RIGHT DRAWER SIDE
QTY 2

N



DRAWER BACK
QTY 2

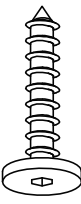
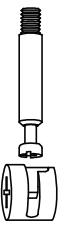
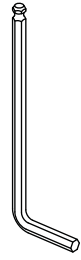
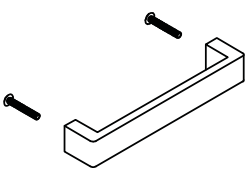

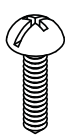
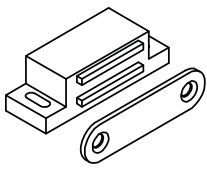
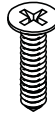


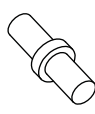
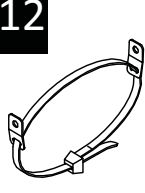
O

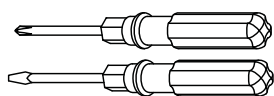


DRAWER BOTTOM
QTY 2

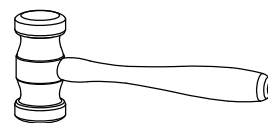
NEED HELP? For help with assembly or if you are missing a part,
Please call customer service at 1-866-518-0120 ext. 262 (9 am to 4 pm EST)

HARDWARE DESCRIPTION

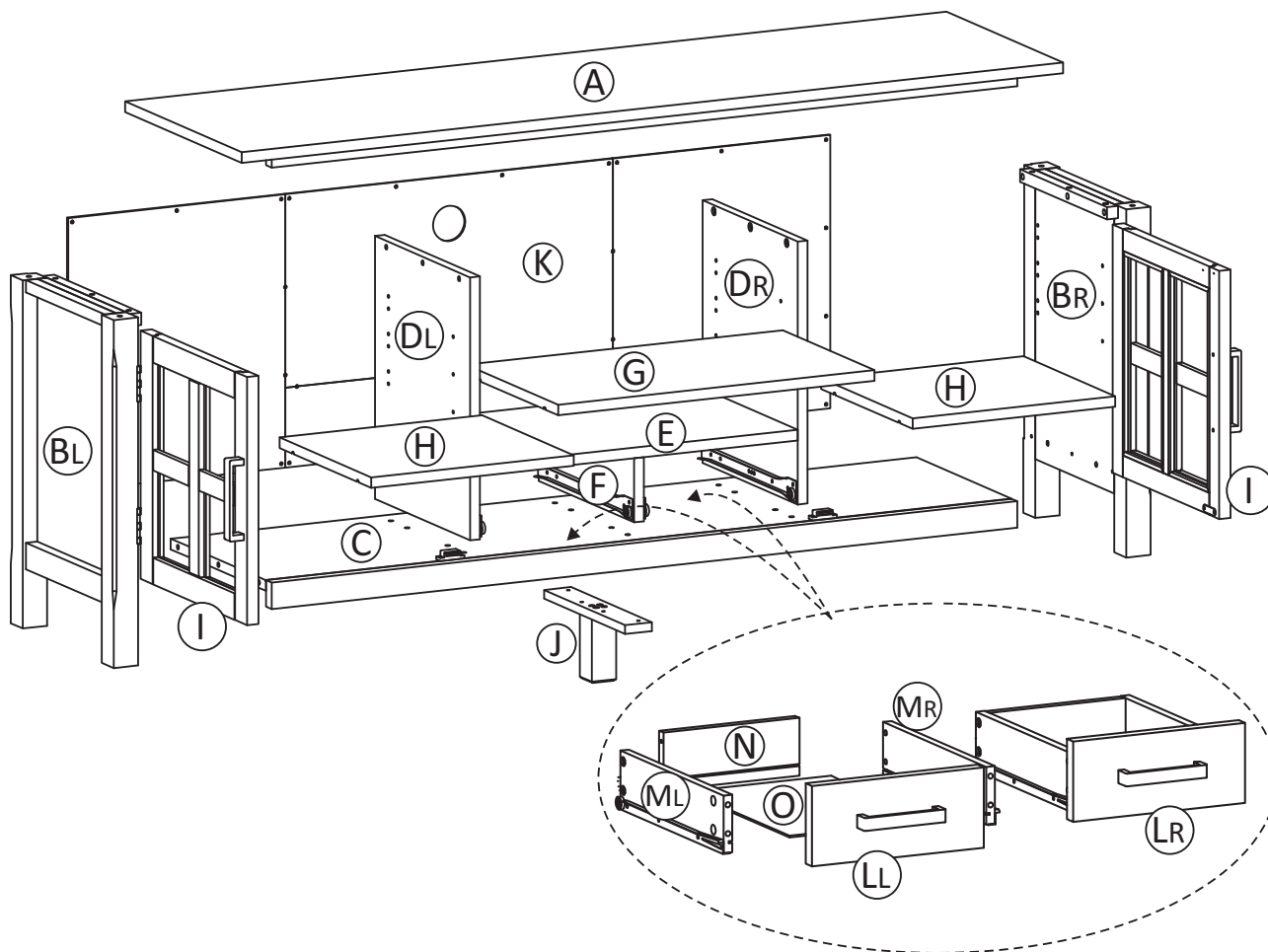
<p>1</p>  <p>ALLEN KEY SCREW M6 X 30 mm QTY 28</p>	<p>2</p>  <p>CAM LOCK PIN CAM LOCK QTY 22 SETS</p>	<p>3</p>  <p>ALLEN KEY QTY 1</p>
<p>4</p>  <p>HANDLE M4 X 25 mm QTY 4 SETS</p>	<p>5</p>  <p>WOOD DOWEL Ø8 X 30 mm QTY 16</p>	<p>6</p>  <p>PHILLIPS SCREW ROUND HEAD M4 X 15 mm QTY 31</p>
<p>7</p>  <p>MAGNET AND PLATE QTY 2 SETS</p>	<p>8</p>  <p>PHILLIPS SCREW M3 X 15 mm QTY 8</p>	<p>9</p>  <p>PHILLIPS SCREW M3 X 12 mm QTY 12</p>
<p>10</p>  <p>PHILLIPS SCREW M4 X 25 mm QTY 4</p>	<p>11</p>  <p>SHELF SUPPORT QTY 18</p>	<p>12</p>  <p>a. M4 X 25 - QTY 2 (1 is extra) b. M4 X 15 - QTY 1 c. M4 X 25 - QTY 1</p> <p>FURNITURE TIP OVER RESTRAINT QTY 1 SET</p>



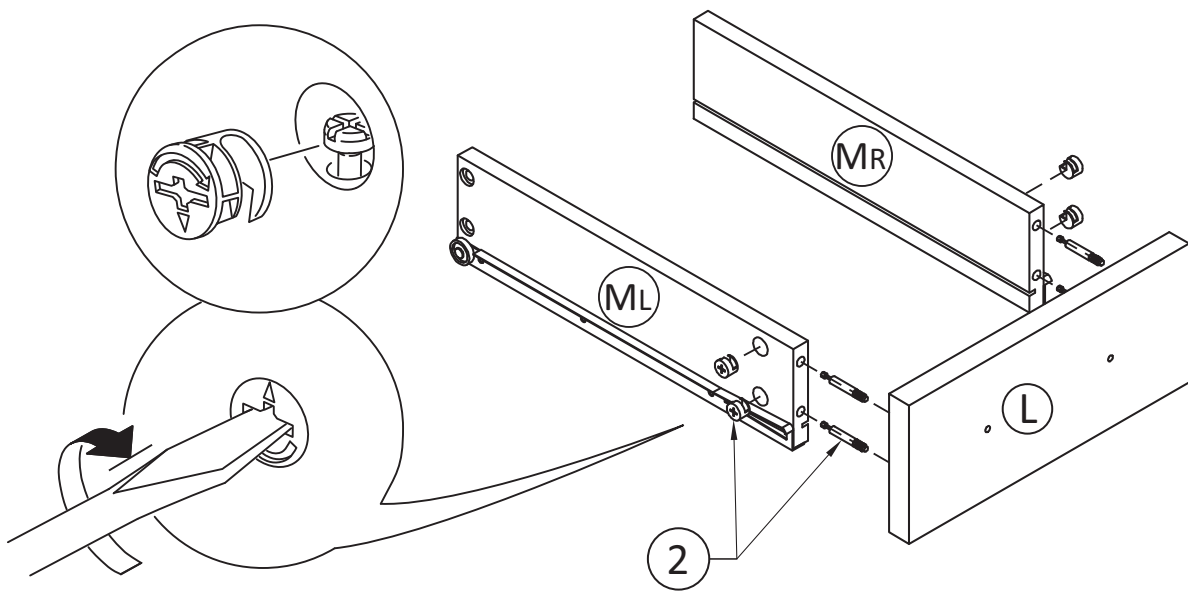
Required -
Flathead screwdriver
Phillips screwdriver
Rubber mallet
Not Included



NEED HELP? For help with assembly or if you are missing a part,
Please call customer service at 1-866-518-0120 ext. 262 (9 am to 4 pm EST)

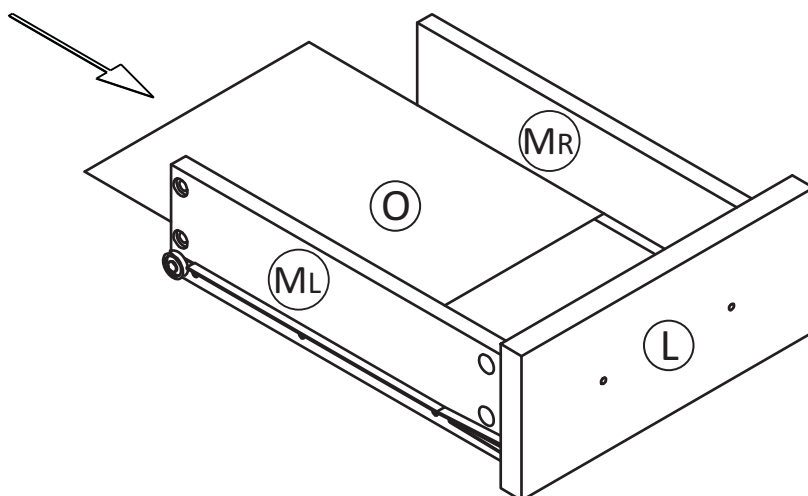


STEP 1



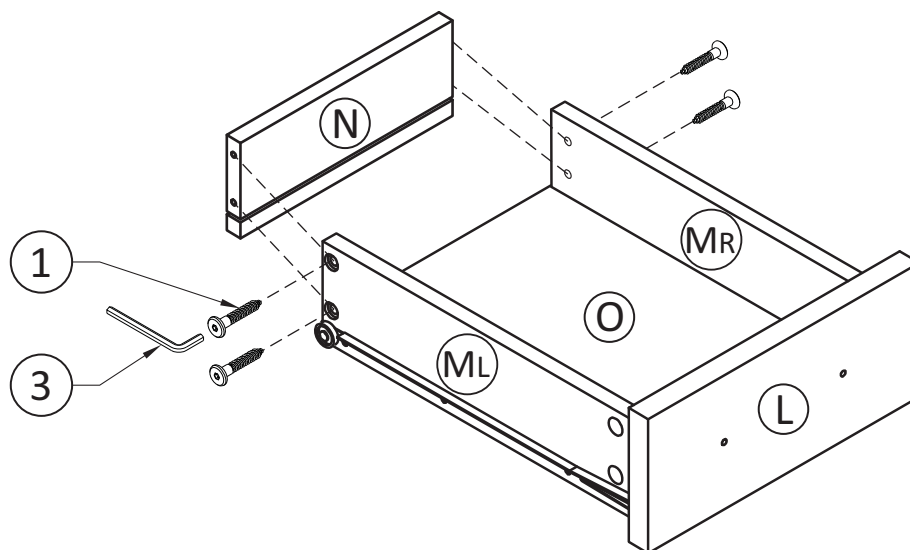
1. Attach 4 Cam Lock Pins (2) to back of Drawer Front (L).
2. Align Cam Lock Pins with pre-drilled holes and attach Drawer Sides (ML, MR).
3. Insert 2 Cam Lock (2) into pre-drilled holes on each Drawer Side (ML, MR).
4. Use flathead screwdriver to secure Cam Locks.

STEP 2



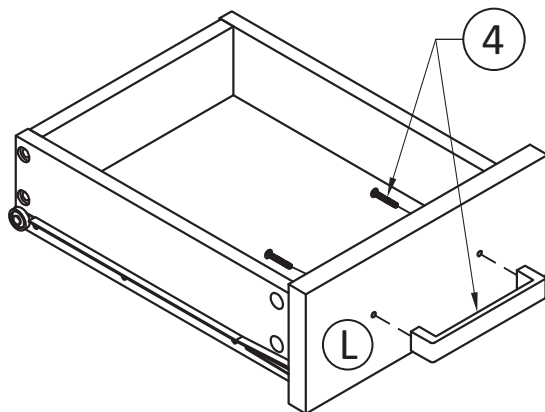
1. Slide Drawer Bottom (O) firmly into slots on Drawer Sides (ML, MR) and Drawer Front (L).

STEP 3



1. Align Drawer Back (N) with Drawer Bottom (O) and press firmly into slot .
2. Attach Back (N) using 2 Allen Key Screws (1) through pre-drilled holes on each side (ML), (MR).
3. Use Allen Key (3) to tighten. Do not over tighten.

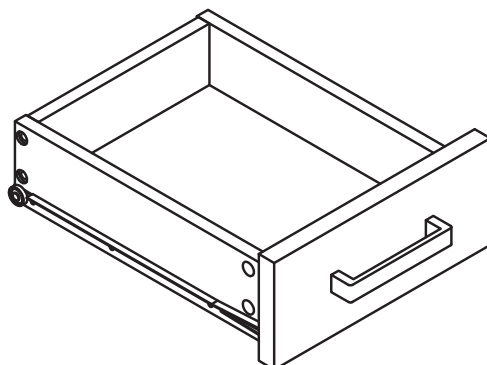
STEP 4



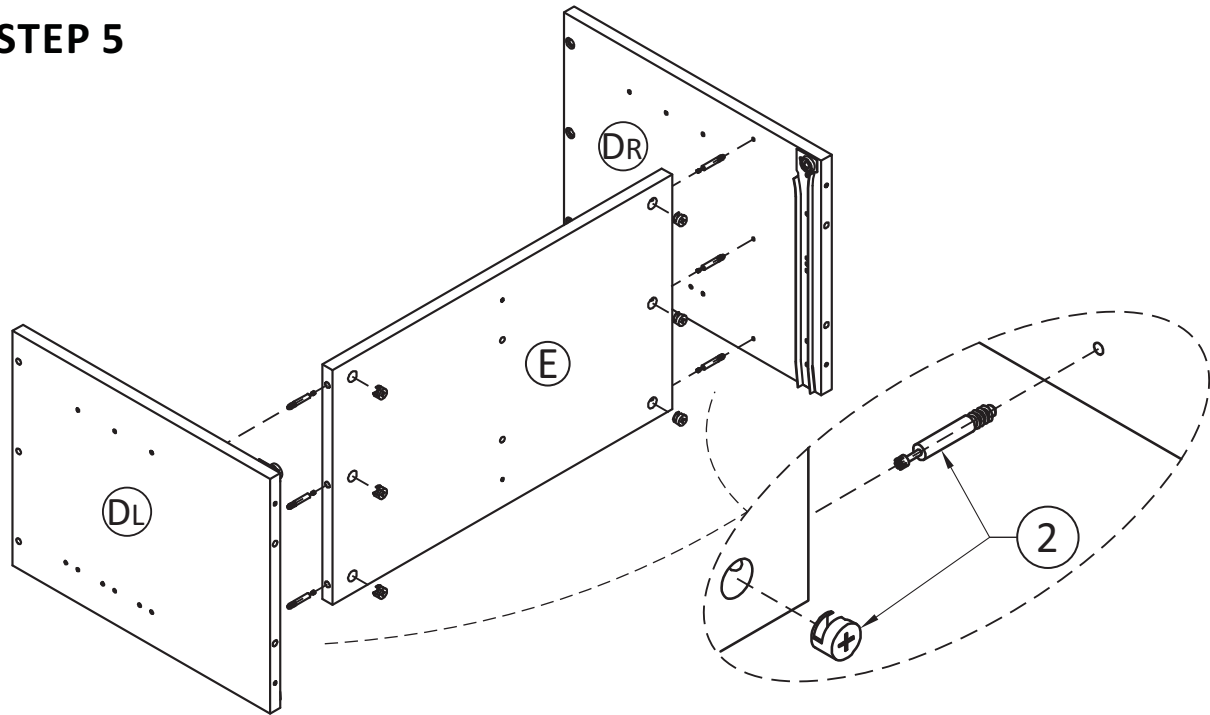
NOTE: The screwdriver is not included in the hardware pack.

1. Use Phillips Screwdriver to attach Handle (4) to Drawer Front (L).

Repeat Step 1-4 for the second drawer.

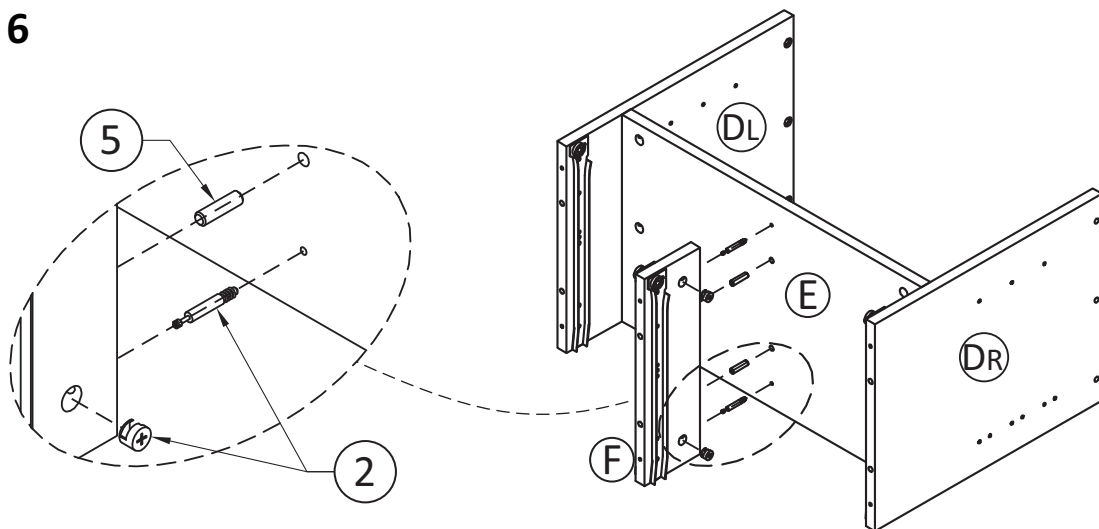


STEP 5



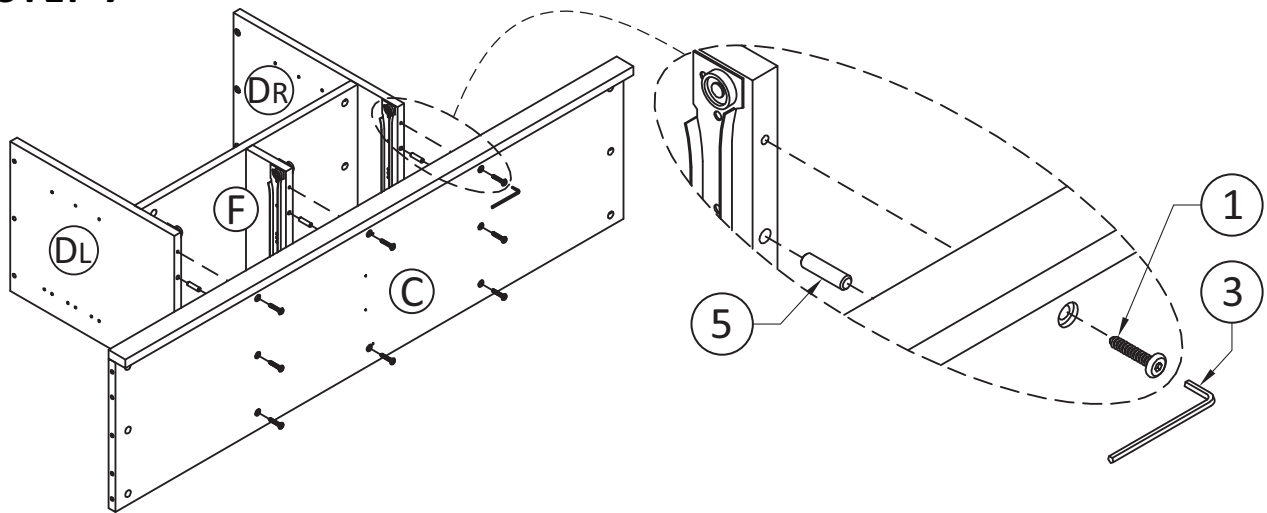
1. Attach 3 Cam Lock Pins (2) to each Divider 1 (DL), (DR) .
2. Align Cam Lock Pins with pre-drilled holes and attach Centre Shelf (E) .
3. Insert 6 Cam Locks (2) into pre-drilled holes on Centre Shelf (E) .
4. Use flathead screwdriver secure Cam Locks.

STEP 6



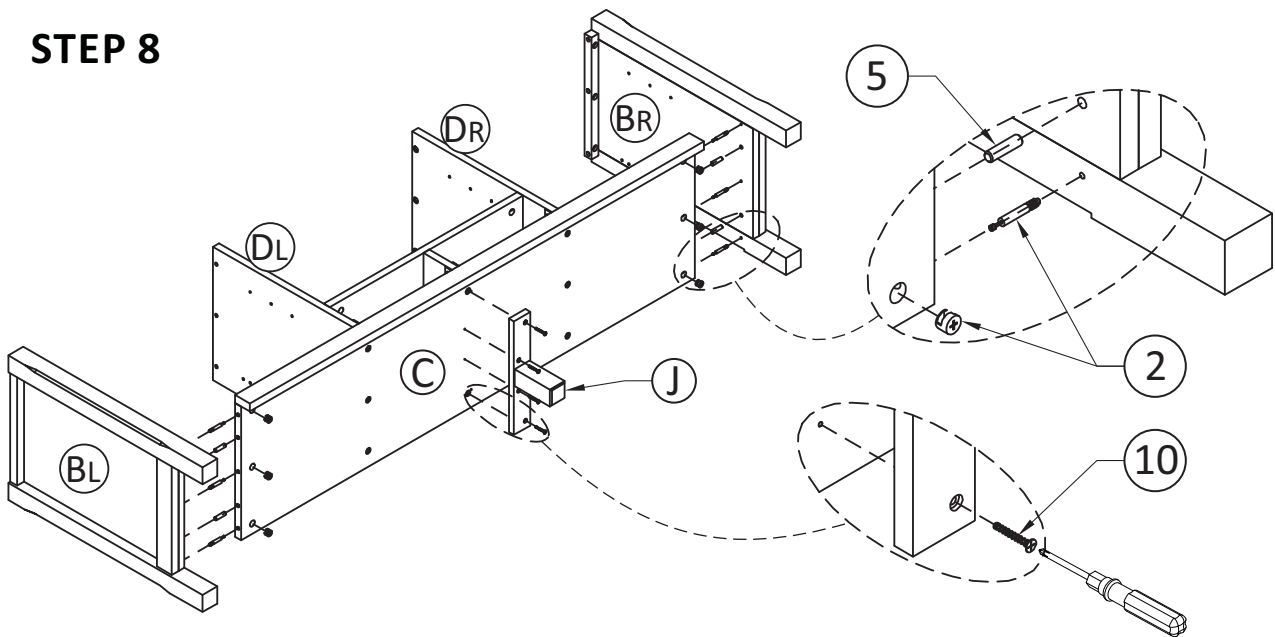
1. Insert 2 wood dowels (5) into Divider 2 (F) .
2. Use rubber mallet to tap Dowels (5) into bottom of holes securely. 1/2 length of Dowels should be exposed.
3. Attach 2 Cam Lock Pins (2) to Centre Shelf (E) .
4. Align wood dowels (5) with pre-drilled holes of Centre Shelf (E) .
5. Align Cam Lock Pins (2) with pre-drilled holes and attach Divider 2 (F) .
6. Insert 2 Cam Locks (2) into pre-drilled holes on Divider 2 (F) .
7. Use flathead screwdriver to secure Cam Locks.

STEP 7



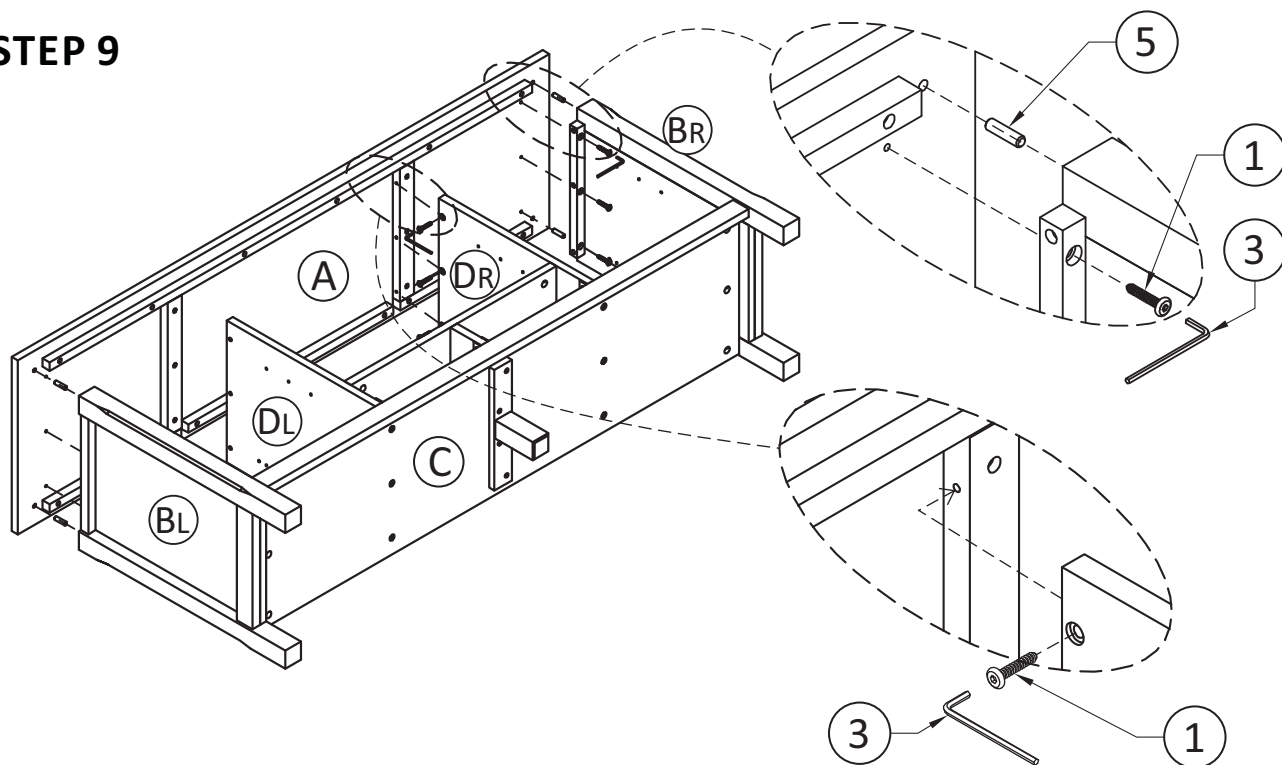
1. Insert 2 Dowels (5) into each Divider 1 (DL), (DR) and Divider 2 (F).
2. Use rubber mallet to tap Dowels (5) into bottom of holes securely. 1/2 length of Dowels should be exposed.
3. Align pre-drilled holes on Bottom Shelf (C) with Dowels (5) in Divider 1 (DL), (DR) and Divider 2 (F).
4. Using 8 Allen Key Screws (1) attach Bottom Shelf (C) to Divider 1 (D) and to Divider 2 (F).

STEP 8



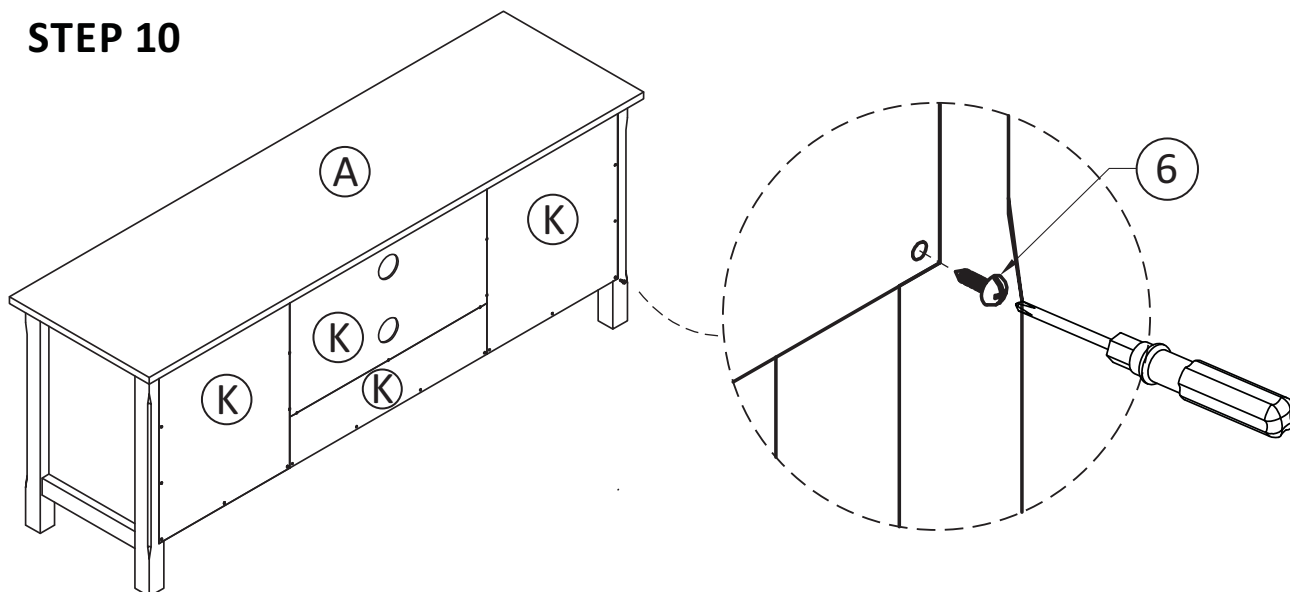
1. Insert 4 Dowels (5) into Bottom Shelf (C).
2. Use rubber mallet to tap Dowels (5) into bottom of holes securely. 1/2 length of Dowels should be exposed.
3. Attach 3 Cam Lock Pins (2) to each Side (BL), (BR).
4. Align Cam Lock Pins (2) with pre-drilled holes and attach Bottom Shelf (C).
5. Align pre-drilled holes on Side (BL), (BR) with Dowels (5) in Bottom Shelf (C).
6. Insert 6 Cam Lock (2) into pre-drilled holes on Bottom Shelf (C).
7. Use flathead screwdriver to secure Cam Lock.
8. Using 4 Phillip Screws (10) attach Bottom Support Leg (J) to Bottom Shelf (C).

STEP 9



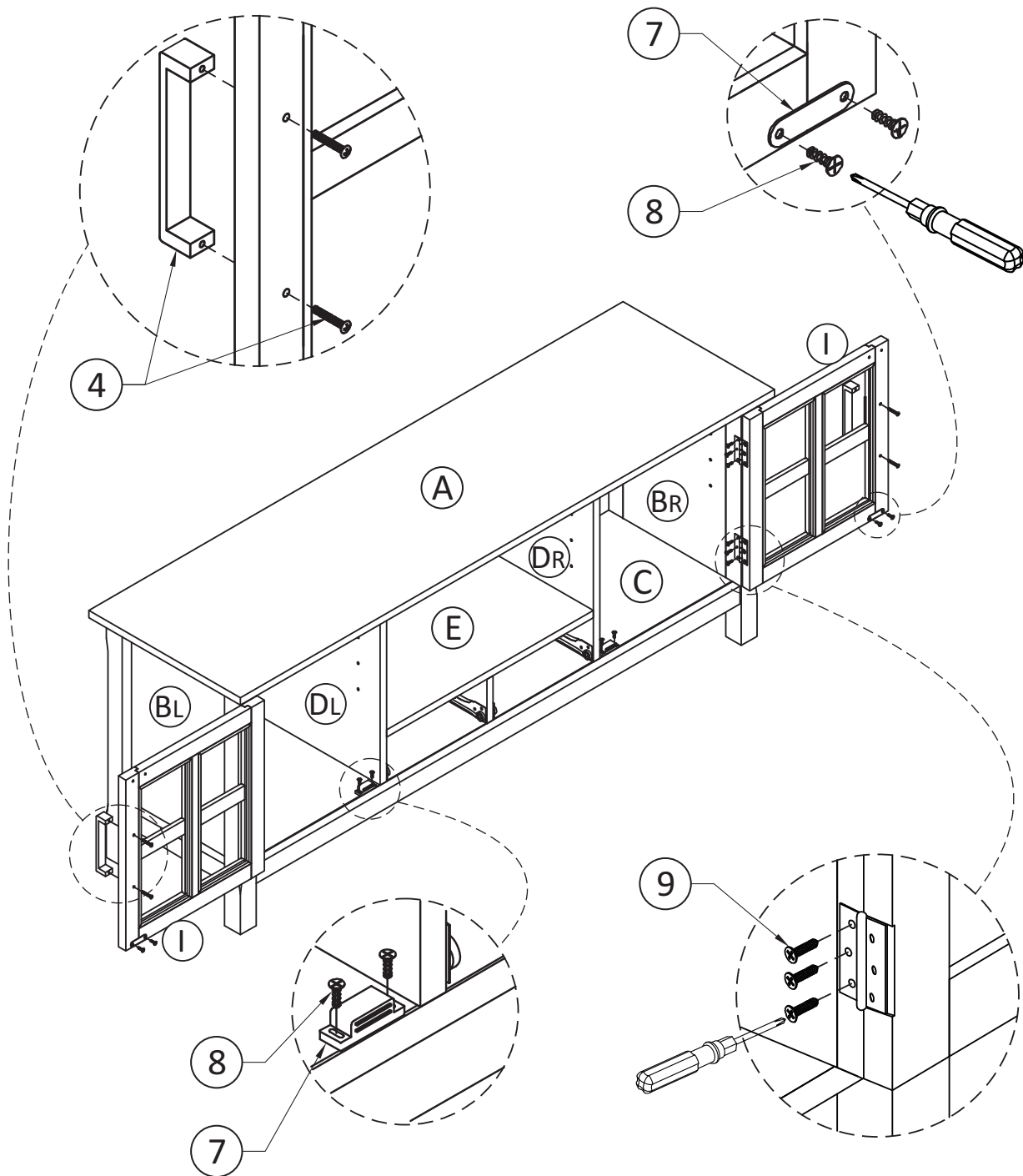
1. Insert 2 Dowels (5) into top corners of each Side (BL, BR) .
2. Use rubber mallet to tap Dowels (5) into bottom of holes securely. 1/2 length of Dowels should be exposed.
3. Align pre-drilled holes on bottom corners of Top (A) with Dowels (5) in Sides (BL, BR) .
4. Using 12 Allen Key Screws (1) attach Top (A) to Side (BL, BR) and Divider (DL, DR) .

STEP 10



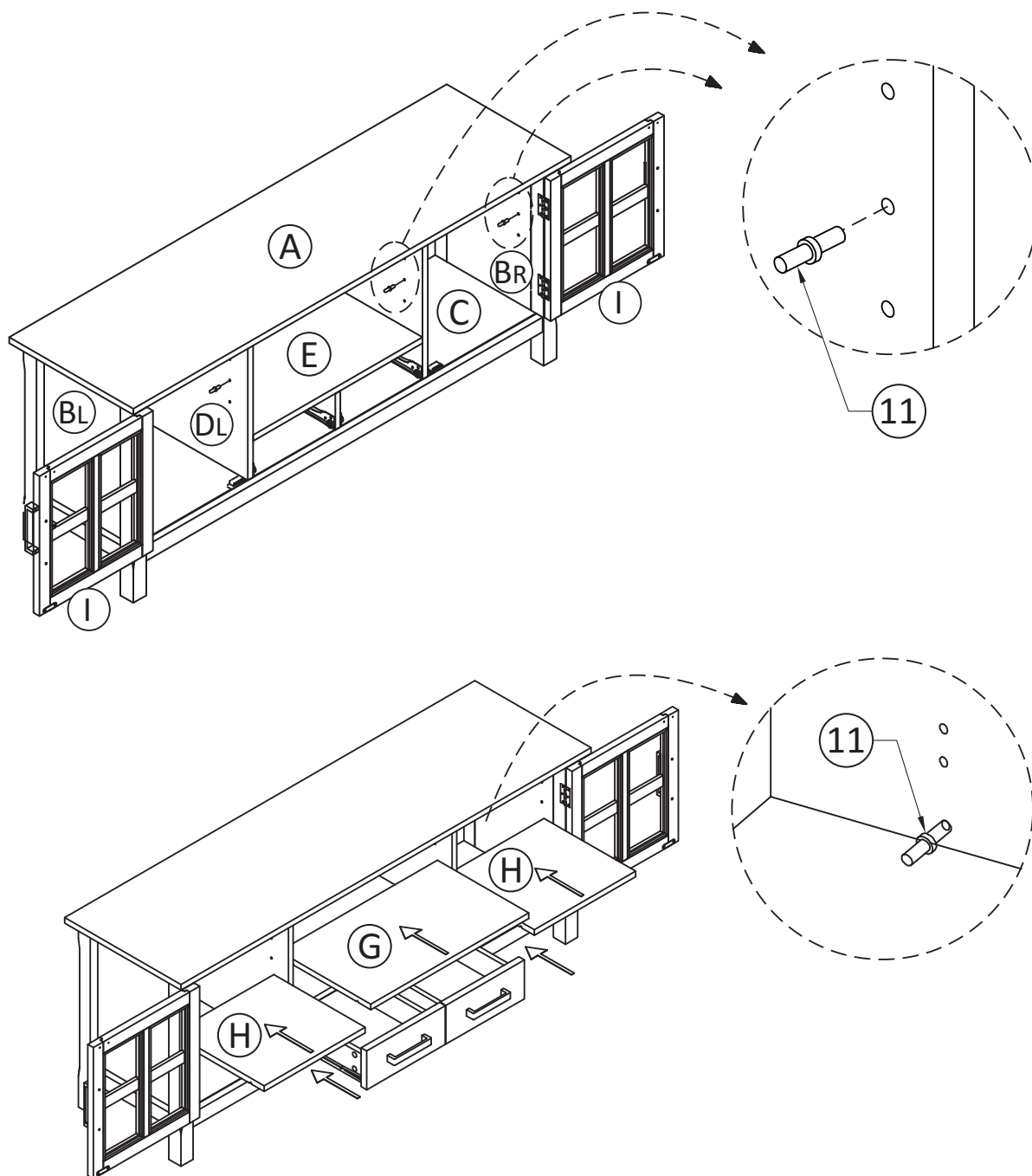
1. Attach Back Panels (K) to back of TV Stand using Screws Round Head (6) into pre-drilled guide holes.
2. Use Phillips screwdriver to tighten screws.

STEP 11



1. Attach hinges on Doors (I) to Sides (BL), (BR) using Phillips Screws (9).
2. Attach Magnet Plates (7) to bottom corner of Doors (I) using Phillips Screws (8) into guide holes on Doors (I).
3. Attach Magnets (7) using Phillips Screws (8) into guide holes on Bottom Shelf (C).
4. Use a Phillips screwdriver to attach Handles (4) to Doors (I).

STEP 12

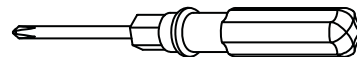


1. Use 4 Shelf Supports ⑪ for each Shelf Cabinet ⑥ and ⑦ in desired location.
2. 2 Shelf Supports ⑪ may be used on back top of each shelf cabinet ⑥ and ⑦ as a tipping restraint.
3. Insert assembled drawers into glides on assembled TV Stand.

FURNITURE TIP OVER RESTRAINT ASSEMBLY

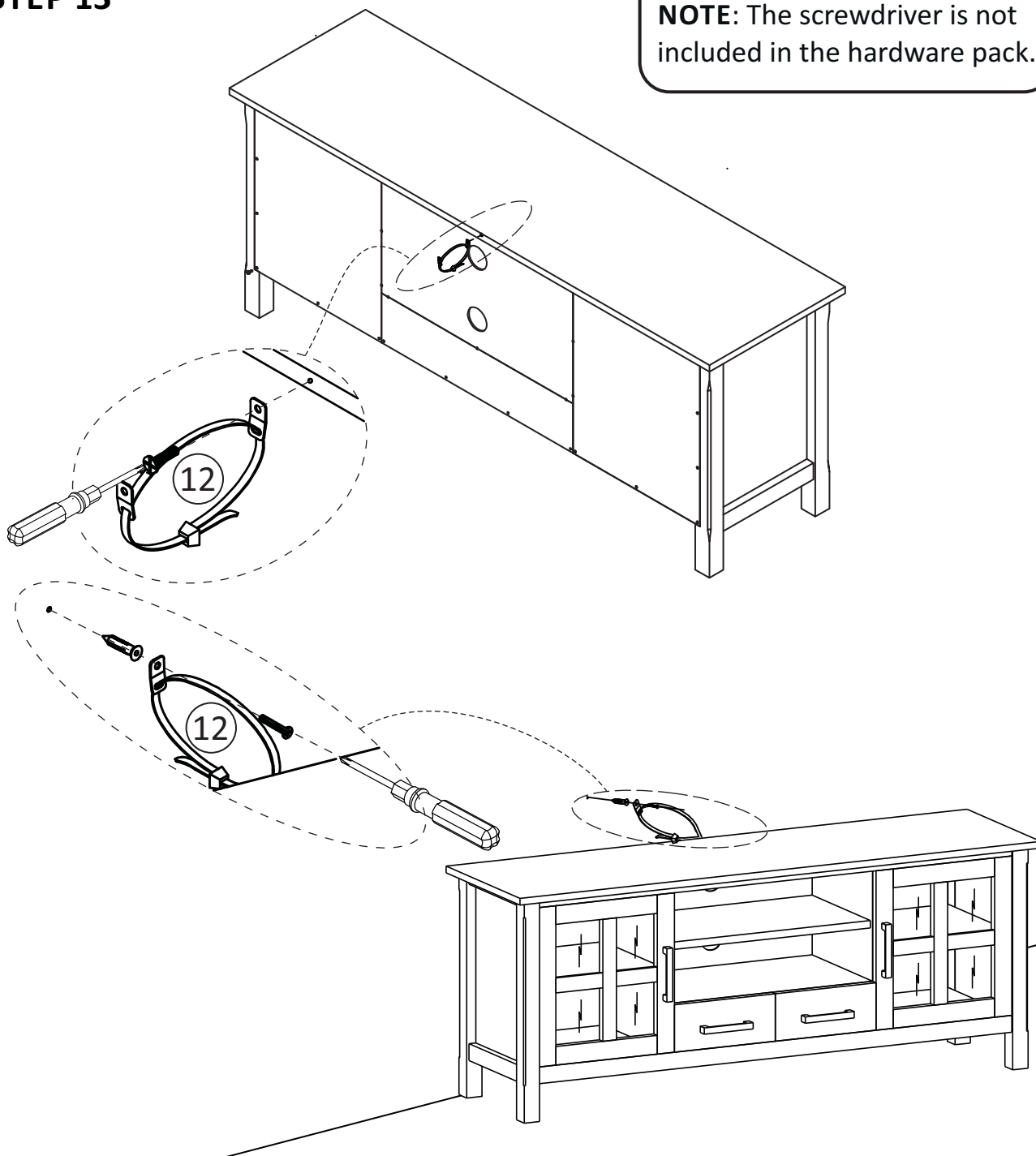
WARNING

Serious or fatal crushing injuries can occur from furniture tip-over.
If the furniture tip over restraint kit is not in the box, please contact our customer service department in order to obtain another kit before using the furniture.



NOTE: The screwdriver is not included in the hardware pack.

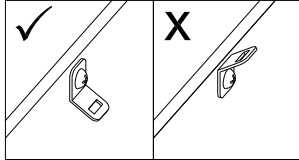
STEP 13



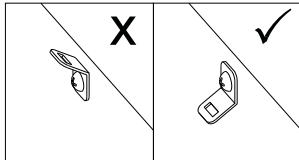
FURNITURE TIP OVER RESTRAINT ASSEMBLY

Furniture Tip Over Restraint Instructions:

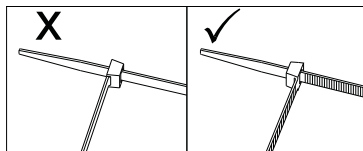
1. Attach one of the mounting brackets securely to the back edge of the furniture. Use the shorter screw.



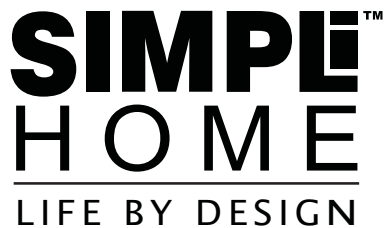
2. Determine where furniture is to be placed and mark location on the wall for mounting bracket screw hole approximately 2 inches **below** the bracket mounted to the furniture.



3. Drill a 3/16 inch hole in the wall. Press the plastic anchor into the hole and gently tap until the flange on the anchor is against the wall surface.
4. Position the bracket over the anchor and use the longer screw to securely attach the bracket to the wall.
5. Place the furniture so the back edge is in line with the bracket on the wall.
6. Lace an end of the nylon zip-tie strap down through each bracket. Bring both ends together and slide the smooth side upright through the square-shaped end and pull through to create the "locked" position.
7. Check to make sure the strap is securely laced and locked to the brackets.



- **DO NOT** place heavy objects in top drawers
- **DO NOT** let children climb or hang on drawers, doors or shelves



WARRANTY

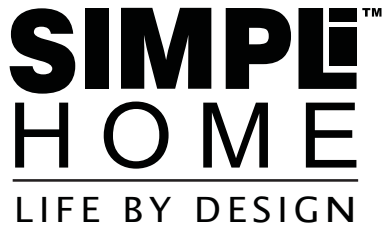
Thank you for purchasing a **Simpli Home – Wyndenhall – Brooklyn + Max** product. These products have been made to demanding, high-quality standards and are guaranteed for domestic use against manufacturing faults for a period of 12 months from the date of purchase. This warranty does not affect your statutory rights.

In case of any malfunction of your product (failure, missing parts, etc.) please contact us at our toll free service line at 1-866-518-0120 ext. 262 from 9 am to 4 pm, Monday to Friday, Eastern Standard Time or by email at customerservice@simpli-home.com.

We reserve the right to repair or replace the defective product, at its discretion.

This product is guaranteed for 12 months if used for normal purposes. Any warranty is invalid if the product has been overloaded or subject to neglect, improper use or an attempted repair by other than an authorized agent. Heavy-duty or daily professional/commercial usage are not guaranteed.

Due to continuous product improvement, we reserve the right to change the product specifications without prior notice.



Question, problems, missing parts?

Before returning your product
please email Customer Support at
customerservice@simpli-home.com

or call

Customer Support at 1-866-518-0120 ext. 262
Monday to Friday between 9 am – 4 pm EST

For more information visit us on our website
www.simpli-home.com

Like us on facebook
www.facebook.com/simplihomefurnishings