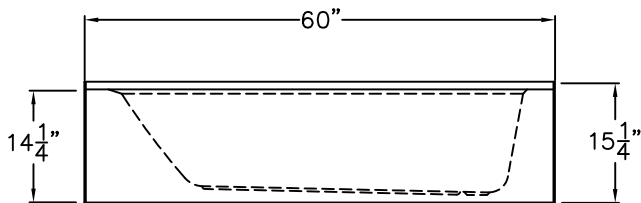


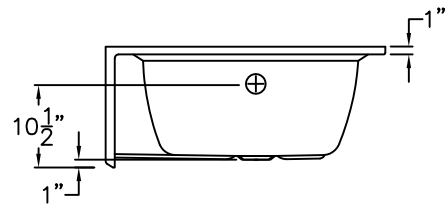
# Luxury Gelcoat Series

## SUBMITTAL DATA

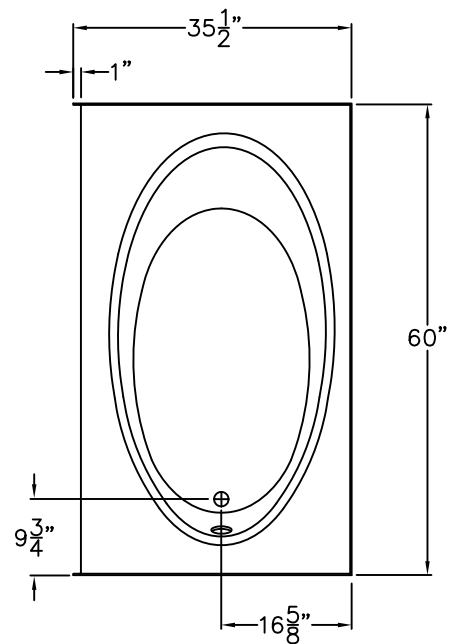
FRONT VIEW



SIDE VIEW



TOP VIEW



### Gelcoat 60" Bathtub

This gelcoat bathtub shall be Praxis Model TO 276 bathtub.  
 Unit has oval water well, mounting flange, molded apron skirt, and end drain location.  
 Optional whirlpool package is available.

It shall meet CSA B45.5-11, Home Innovation Research Lab, IAPMOZ124-2011,  
 shall have the backside fire rating of "A" and a flame spread of less 25.

DUE TO THE NATURE OF THE MATERIALS  
 INVOLVED, UNIT DIMENSIONS MAY VARY  
 ± 1/2 INCH.

Job Name:		<b>PRAXIS</b>	
Approved By Print Name:		Drawing#: TO 276 RH	
Approved By Signature:	Date Approved:	Date: 7-17-96	Revised: 6-4-14
Rep.:	Wholesaler:	Quote No.:	

PRAXIS INDUSTRIES, LLC.  
 435 INDUSTRIAL RD - SAVANNAH, TN 38372  
 1 (800) 443-7269 - FAX (731) 925-4290