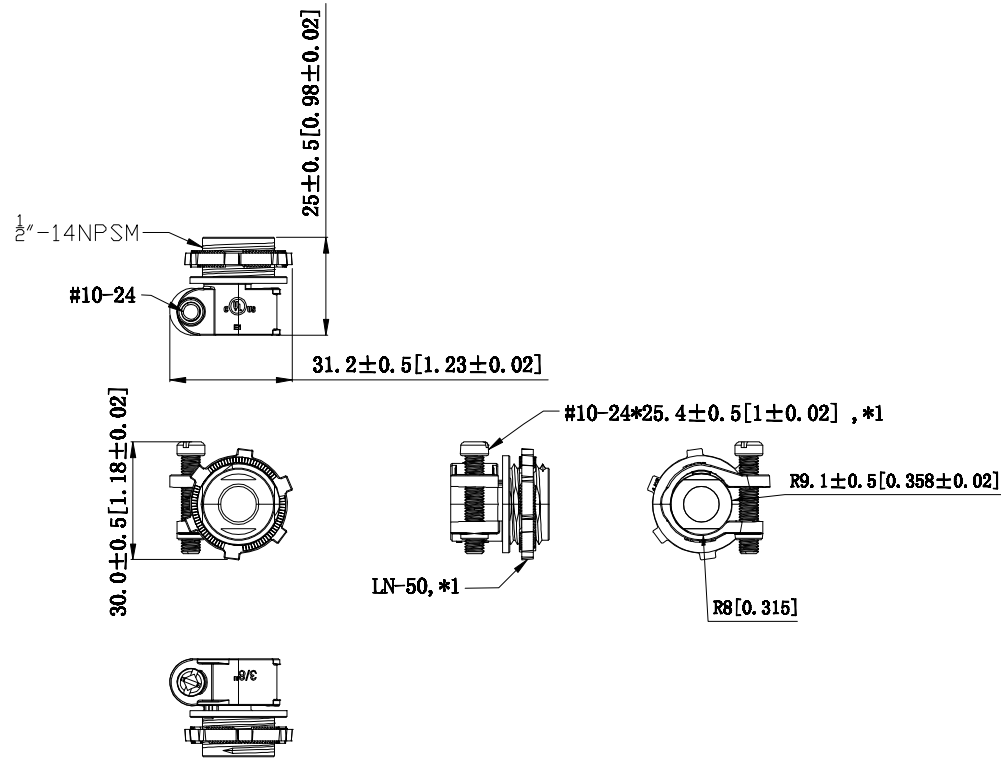


NO	P/N	Tooling	Working process Description
1	SQZ-38		

REVISIONS			
SYM.	BY.	REVISIONS	DATE
A.			



NOTES:

- 1.All dimensions in millimeters and [inches];
- 2.Free of sharp edge and burrs.max burr0.5[0.0196].
- 3.Material: #3 ZAMAK

DRAWN CHECKED APPROVED (A) APPROVED (Customer)	NAME	DATE	GARVIN INDUSTRIES TITLE ELECTRICAL TRADE WASHERS
		2014.01.09	
MATERIAL #3 ZAMAK	SIZE A4	DWG NO. SQZ-38	REV
THIRD ANGLE PROJECTION 	SCALE: 1:1	PRINT DATE	REFERENCES
SHEET SCALE DRAWING SHEET PER A4: 14.84x10.54	SHEET 1 OF 1		