

**Workbench Risers**

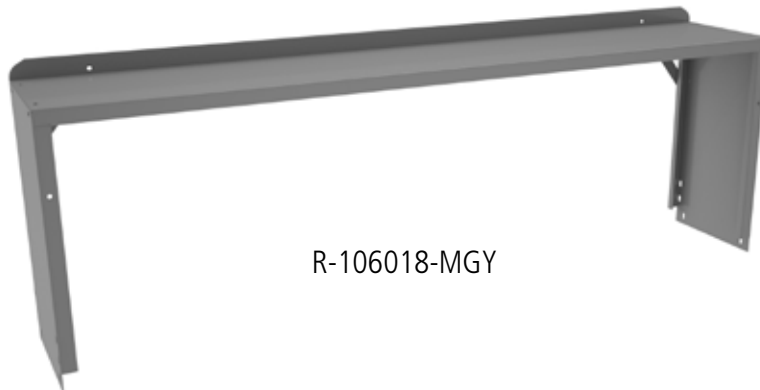


**RETAIN INSTRUCTIONS FOR FUTURE REFERENCE**

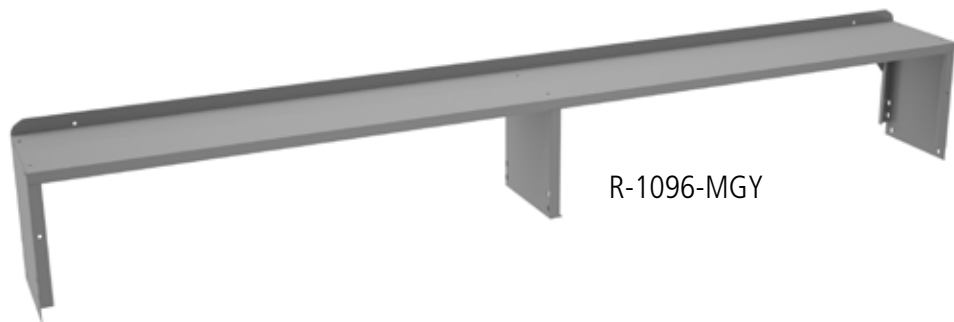
---



RE-1060-MGY shown  
with WK-1 (not included)



R-106018-MGY



R-1096-MGY

**GENERAL SAFETY INFORMATION**

Some parts may have sharp edges. CARE must be taken when handling various pieces to avoid injury. For safety, wear a pair of work gloves when assembling or performing any maintenance on units.

---

**LIMITED WARRANTY**

Tennsco warrants goods purchased hereunder to be free of defects in materials and workmanship for a period of one (1) year from the date of shipment, hereunder. This warranty shall not apply in the event goods are damaged as a result of misuse, abuse, neglect, accident, improper application, modification or repair by persons not authorized by Seller, where goods are damaged during shipment, or where the date stamps on the goods have been defaced, modified or removed. UNLESS CONSIDERED UNENFORCEABLE OR UNLAWFUL UNDER APPLICABLE LAW:

- a. ALL IMPLIED WARRANTIES, INCLUDING BUT NOT LIMITED TO WARRANTIES OR MERCHANTABILITY AND FITNESS FOR A PARTICULAR PURPOSE ARE HEREBY EXCLUDED:
- b. BUYERS REMEDY, IF ANY, FOR ANY DEFECTIVE GOODS SHALL BE LIMITED TO A REFUND BY SELLER OR REPLACEMENT OF THE GOODS AT SELLER'S OPTION, AND SHALL IN NO EVENT INCLUDE DAMAGES OF ANY KIND, WHETHER INCIDENTAL, CONSEQUENTIAL OR OTHERWISE.

NO GOODS ACCEPTED FOR RETURN WITHOUT PRIOR APPROVAL. Seller shall have the right to inspect any goods claimed to be defective at Buyers place of business or require Buyer to return the goods to Seller for inspection on Seller's premises. Transportation charges covering returned goods will be borne by Seller only if such goods are proven to be defective, are covered by this warranty and are returned within the warranty period stated above.

---



**PROUDLY MADE IN THE U.S.A.**

Tennsco LLC., Dickson, TN 37056-1888 • (866) 446-8686

# ASSEMBLY OF WORKBENCH RISERS

Two people are recommended for assembly. Approximate assembly time: 15-25 minutes.

Tools required: Phillips head screwdriver, drill with a  $\frac{3}{16}$ " drill bit (for wood top) or  $\frac{7}{16}$ " drill bit (for a steel top), and a  $\frac{7}{16}$ " wrench or nut driver.

The reference numbers used throughout this sheet refer to the illustration on the back cover.

This is to help you to identify the various parts as they are mentioned.

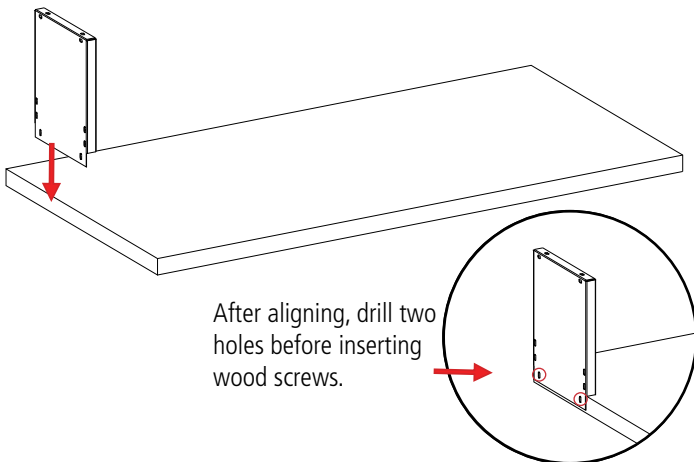
1. The workbench should be in its upright position, as if ready to use, before attaching the riser.

**NOTE: If you have purchased an electronic riser and intend to install the Electronic Wiring Kit, do so before proceeding to step 2 (using the instructions that came with your Electronic Wiring Kit). If you have purchased a standard riser, or if you have purchased an electronic riser but do not yet have a wiring kit, please proceed to step 2.**

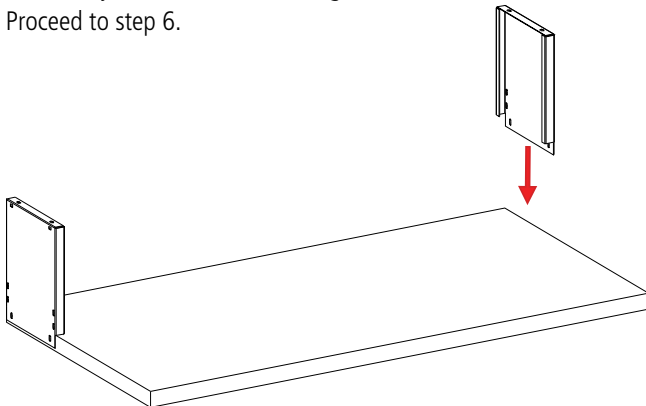
2. For assembly on a steel top, proceed to step 4.

For assembly on a wood top, place a riser support (Ref. No. 1) on the left side of the bench and align it with the rear of the bench. Drill two pilot holes into the bench through the holes at the bottom of the riser support using a  $\frac{3}{16}$ " drill bit. Attach using two #14 x  $\frac{3}{4}$ " wood screws (Ref. No. 4).

**NOTE: If attaching side and back rails, your side rails will share these same two holes with the riser supports. In order to save removing the screws later, you may want to attach your left side rail now, placing it on the out side of the riser support and holding it in place with the two above mentioned wood screws.**

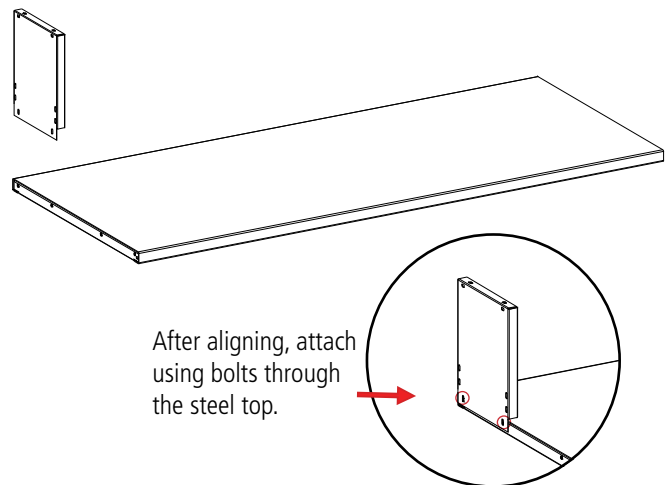


3. Place the second riser support on the right side of the bench, again aligning it with the rear of the bench. Attach by repeating the process described in step 2. As noted above, if you are attaching side rails, you should attach the right side rail now. Proceed to step 6.

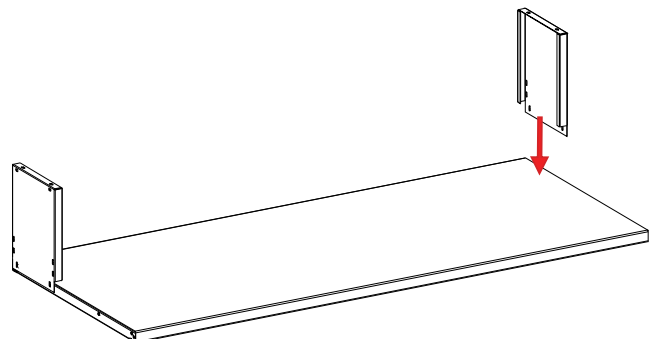


4. For assembly on a steel top, place a riser end support (Ref. No. 1) on the left side of the bench and align it with the rear of the bench. Attach by inserting  $\frac{1}{4}$ "-20 x  $\frac{5}{8}$ " bolts (Ref. No. 5) into the clench nuts of the steel top.

**NOTE: If attaching side and back rails, your side rails will share these same two holes with the riser supports. In order to save removing the screws later, you may want to attach your left side rail now, placing it on the out side of the riser support and holding it in place with the two above mentioned bolts.**

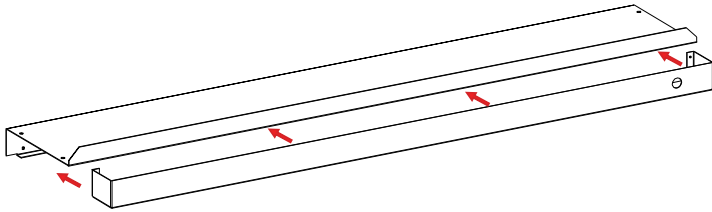


5. Place the second riser support on the right side of the bench, again aligning it with the rear of the bench. Attach by repeating the process described in step 4. As noted above if you are attaching side rails, you should attach the right side rail now.

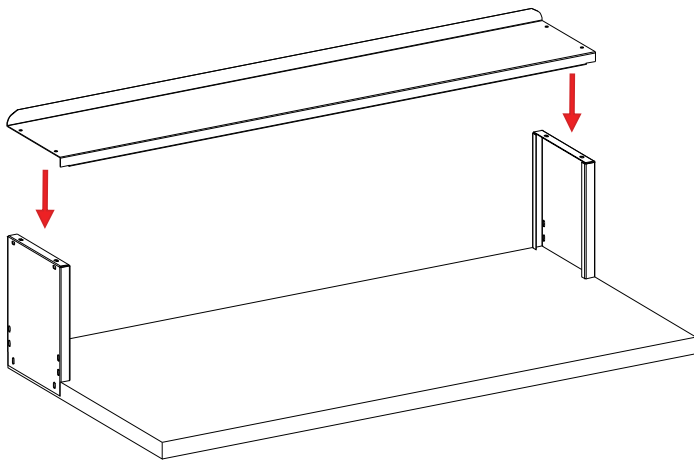


6. If assembling a standard riser, proceed to step 7.

With the assembly of an electronic riser, if you are installing a wiring kit, do so at this point using the instructions provided with the wiring kit. If you are not installing wiring, secure the back plate to the electronics housing using four #10 x 1/2" Truss Phillips-head screws (Ref. No. 9).

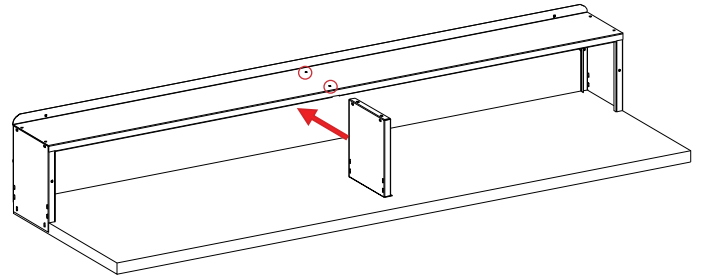


7. Secure the riser shelf (Ref. No. 2a or 2b) to the two riser supports using two 1/4"-20 x 5/8" bolts (Ref. No. 5), two 1/4" lockwashers (Ref. No. 6), and two 1/4"-20 nuts (Ref. No. 7)



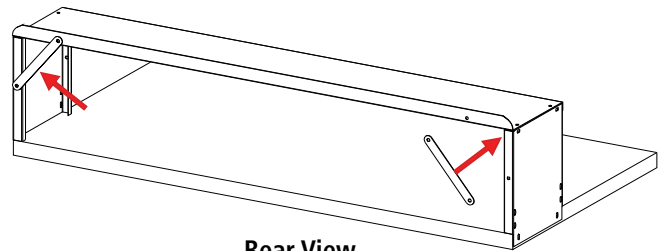
8. For risers under 96" w, proceed to step 9.

For 96" w risers, align the riser center support (Ref. No. 8) beneath the center holes in the riser shelf, and mark the location of the two screw holes on the bench top. Remove the center support and drill pilot holes using a 3/16" drill bit for wood tops or a 5/16" drill bit for steel tops. Attach the center support to the riser shelf using two 1/4"-20 x 5/8" bolts and nuts. Attach to the bench top using two #14 x 3/4" wood screws for a wood top or two 1/4"-20 x 5/8" bolts and nuts for a steel top.



**NOTE: It may be necessary to remove the riser shelf to drill straight down.**

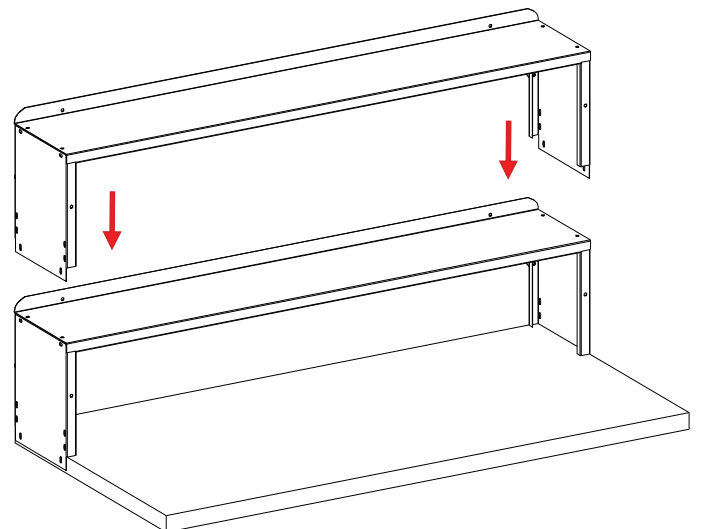
9. Secure the sway braces (Ref. No. 3) between the riser supports and the riser shelf, using four 1/4"-20 x 5/8" bolts and four 1/4"-20 nuts.



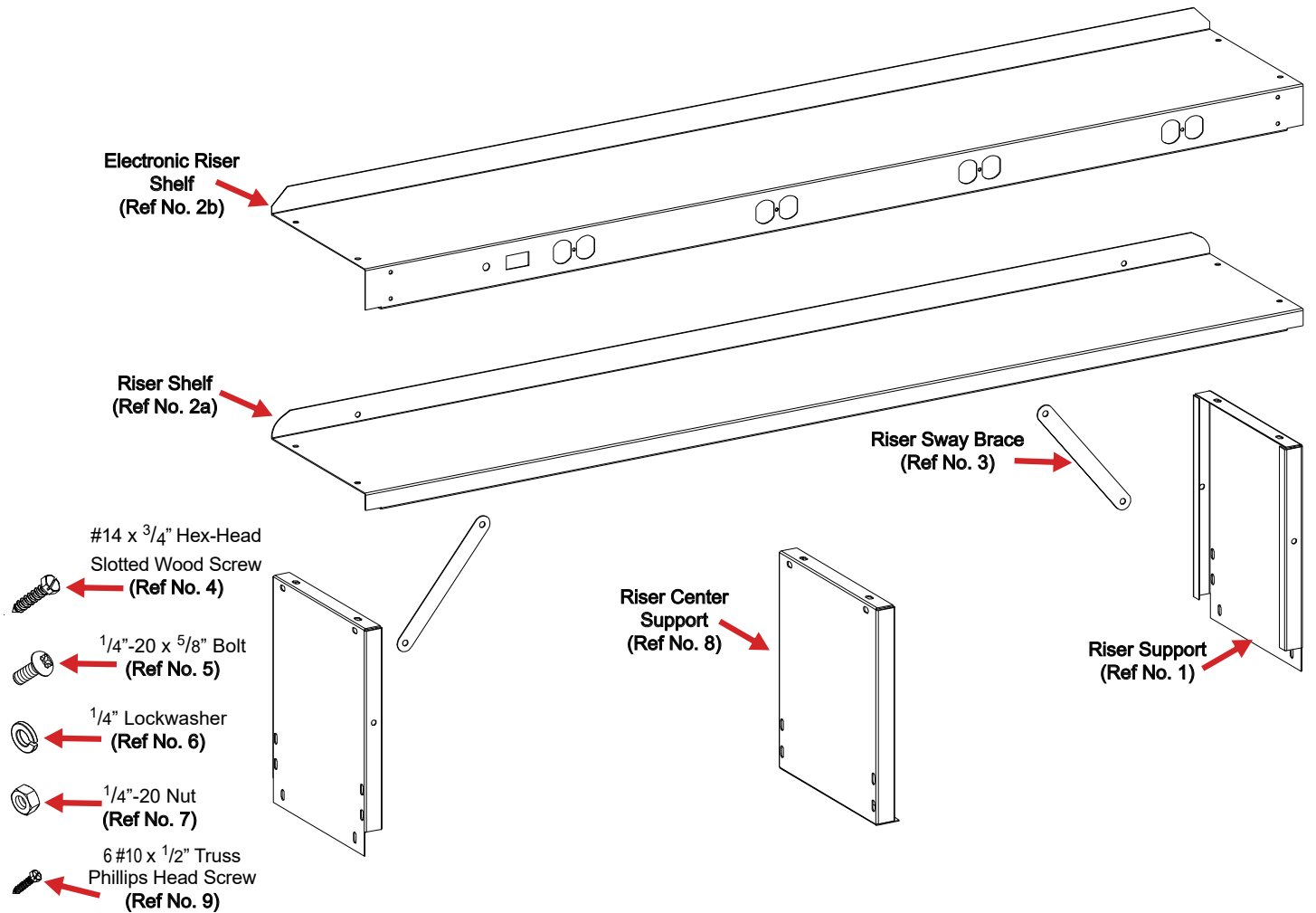
Rear View

6. If assembling double stacked risers, attach a second riser to the first using the same procedures described in step 4 through step 9.

**NOTE: Do not stack more than one additional riser onto the original riser.**



# REPLACEMENT PARTS



REF. NO.	DESCRIPTION	QTY.	PART NUMBERS						
			R-1048	R-1060	R-1072	R-1096			
<b>STANDARD RISER</b>									
1	Riser End Support	2	WBRS-1	WBRS-1	WBRS-1	WBRS-1	WBRS-1	WBRS-1	
2a	Riser Shelf	1	WBRS-48	WBRS-60	WBRS-72	WBRS-96	WBRS-96	WBRS-96	
3	Riser Sway Brace	2	RSB-6	RSB-6	RSB-6	RSB-6	RSB-6	RSB-6	
4	#14 x 3/4" Hex-Head Slotted Wood Screw	6	**	**	**	**	**	**	
5	1/4"-20 x 5/8" Bolt	16	**	**	**	**	**	**	
6	1/4" Lockwasher	6	**	**	**	**	**	**	
7	1/4"-20 Nut	16	**	**	**	**	**	**	
8	Riser Center Support	1	--	--	--	WBRSI-2	WBRSI-2	WBRSI-2	
REF. NO.	DESCRIPTION	QTY.	PART NUMBERS						
			RE-1060	RE-1072	RE-1560	RE-1572	RE-18-1560	RE-18-1572	RE-18-1596
<b>ELECTRONIC RISER</b>									
1	Riser End Support	2	WBRS-1	WBRS-1	WBRS-2	WBRS-2	WBRS-3	WBRS-3	WBRS-3
2b	Electronic Riser Shelf	1	EWRS-6010	EWRS-7210	EWRS-6015	EWRS-7215	EWRS-6015	EWRS-7215	EWRS-9615
3	Riser Sway Brace	2	RSB-6	RSB-6	RSB-6	RSB-6	RSB-6	RSB-6	RSB-6
4	#14 x 3/4" Hex-Head Slotted Wood Screw	6	**	**	**	**	**	**	**
5	1/4"-20 x 5/8" Bolt	16	**	**	**	**	**	**	**
6	1/4" Lockwasher	6	**	**	**	**	**	**	**
7	1/4"-20 Nut	16	**	**	**	**	**	**	**
9	6 #10 x 1/2" Truss Phillips Head Screw	4	**	**	**	**	**	**	**

\*\* Available Locally

NOTE: Additional hardware may be included for replacement purposes.

Tennsco makes every effort to ensure that all units ship complete with all parts and arrive undamaged. However, should your unit contain missing or damaged parts, please contact your purchase location.