

R26 SERIES



HILLYARD
The Cleaning Resource®

TRIDENT®

Better Built. Better Equipment.

Better Built. Better Equipment.

Our Trident Brand of equipment starts from the ground up - at a place where intelligent design intersects with innovative technology and exceptional engineering to deliver superior cleaning equipment. Cleaning equipment that lowers your total cost of ownership, reduces your cost to clean and improves cleaning results. It's what you expect out of your equipment investment, and it's what we deliver. We're Hillyard, The Cleaning Resource, since 1907.



Intelligent
Design



Exceptional
Engineering



Innovative
Technology



Protection & Longevity

The outer body surrounds the internal structure and mechanical parts, protecting them from impact and eliminating potential repair costs from scrub decks being exposed outside the body.



Yellow Color-Coded Parts

Parts that should be cleaned daily are color-coded in yellow. This saves time and makes sure your scrubber is kept in perfect condition at all times.



Comfort

Ergonomically designed, padded seat delivers hours of stress-free operation.

Maximum leg room and a steering wheel that's closer to the operator makes the machine even more comfortable to use.



The lowered footboard facilitates easy access from both sides and allows the operator to sit comfortably.

er-go-nom-ic: relating to or designed for efficiency and comfort in the working environment.

Intelligent Design



LATERAL PADDLES



The lateral paddles provide greater control over the machine for total peace of mind and a comfortable, safe driving experience.

The left paddle manages the pressure on the brushes (Plus models: enables Power Mode), while the right paddle activates the reverse function, which can be easily monitored from the display.

The foot rest zone is designed to offer ample space for the feet within the compact dimensions of the machine.

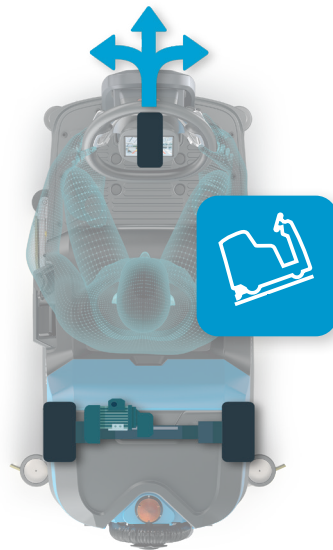
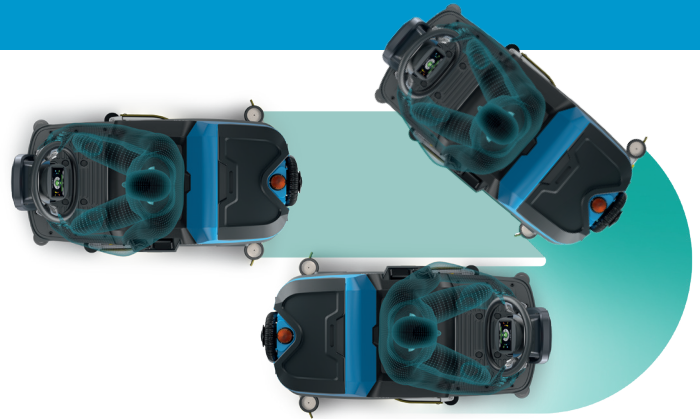


Performance

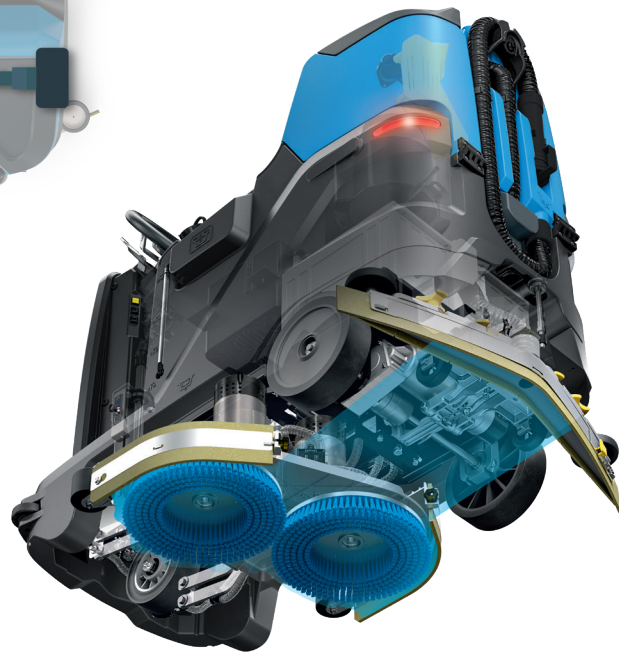
Outstanding Traction Maneuverability and Cleaning

The Hillyard Trident R26 Series is engineered with dual rear-wheel drive while other manufacturers use single front-wheel pull systems. Rear-wheel drive comes with a host of advantages like:

- Battery and tank weight is evenly distributed over the heavy-duty rear axle providing more drive wheel traction.
- Easily climb ramps.
- Better traction enhances safety and reduces potential for slipping.
- Frees up the front-wheel to deliver precise steering to turn and clean in any direction.



The V-shaped side splash guards keep the water inside the brush area and in line with the path of the squeegee, so the water can be collected completely without leaving any trace of water when operated properly, and with no need to pass over an area twice.



**POWER
mode**

Power Mode For Heavy Soil

Activate the Power Mode (Plus Model) with the left paddle to increase the delivery rate of detergent solution, boost brush pressure, and increase vacuum power to tackle heavy duty cleaning. Let Power Mode run for the full length of its 60-second countdown clock, or stop it with a touch at anytime.





Safety



Anti-Collision System

The anti-collision system detects obstacles when reversing, helping the operator work in complete safety and protects the machine.



Emergency Stop

By pressing a single button the machine stops immediately.



LED Lighting

Front and rear LED headlights maximize work safety in all conditions. (Plus Model)



Descent Control

Maintains a constant speed and prevents a sudden increase in speed when driving downhill.



Steering Wheel Controls

The steering wheel controls offer the operator even greater control when cleaning. Also improves safety by eliminating distractions and letting the operator keep his or her eyes on the path ahead.



Rear-View Camera

Rear-view camera lets the operator monitor cleaning results in real time from the display, without taking his or her eyes off the direction of travel. (Plus Model)



Stop & Go Control

The traction control system, which brakes and holds the machine when the accelerator pedal is released, provides assistance on both uphill and downhill gradients.



Automatic Electro Braking

Automatically operated safety break engages when the machine stops. It acts as a safety parking brake.



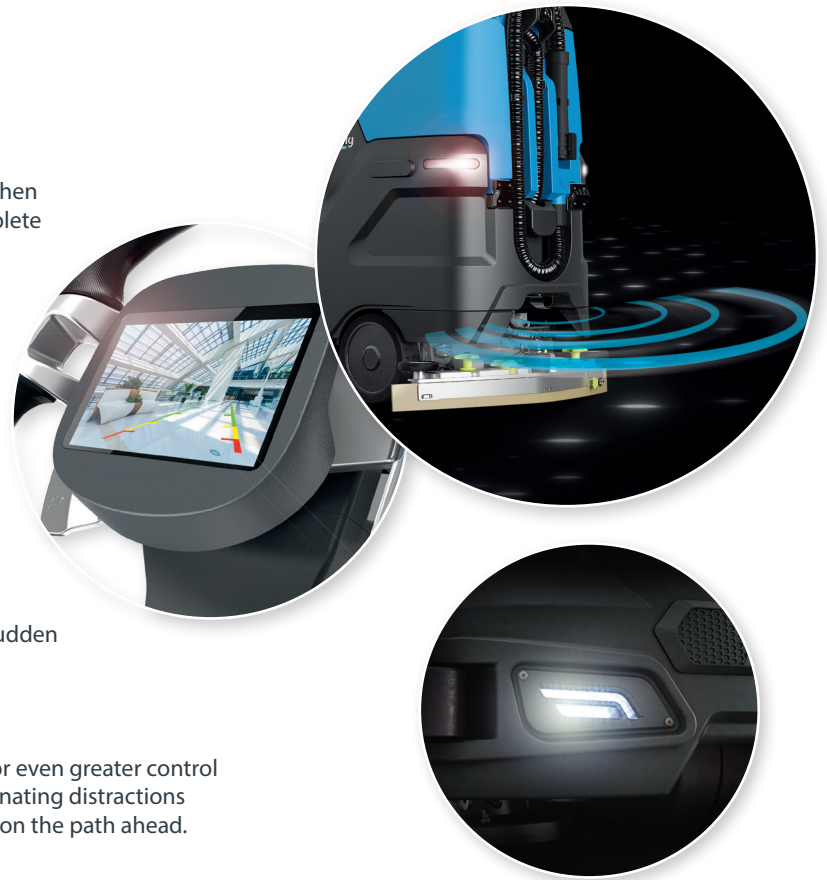
Start & Stop Technology

When the machine is idle, the brush motor, vacuum motor, traction and detergent pump will turn off automatically. All the functions are reactivated automatically as soon as the operator accelerates.



ESC - Electronic Stability Control

Automatically reduces speed when turning without the operator using the brake.



Eco Mode For Conservation

The Eco Mode function helps conserve water, detergent and energy by using only the quantities you need and nothing more.





R26SC PLUS



Advanced Technology A Finger-Tip Touch Away





Simplified Cleaning and Control

The operator is the center of a high-tech universe, where everything is easy and intuitive.

All functions and activities are managed from a single interface, where a mere touch of the finger offers access to an extraordinary choice of customizable features that satisfy all types of requirements with effortless simplicity.

The high-definition color display offers the same intuitive experience as a smartphone.



LOG-IN WITH PASSWORD

Protect your investment and personalize the settings.



CUSTOM WORK ZONE PROGRAMS

One-touch equipment settings for area types or different operators.



ONBOARD VIDEO TUTORIALS

Giving you all the information you need exactly when you need it.



REAR-VIEW CAMERA

Keep everything under control.



ECO MODE

Sustainable, cost-effective cleaning.



POWER MODE

Maximum power for tough cleaning.

Standard
Configuration

R26SC PRO

PRO



Join The Connected Cleaning World*

Keep tabs on your machines remotely whenever you want and from wherever you want!



Hillyard Fleet Management



GEOLOCATION

Know where your machines are.



USAGE DATA

Know who's using your machine and how it is being used.



MAINTENANCE

Know the health status of machines.



TELEMETRY

Critical machine data is always being monitored for peak performance.



An authorized Hillyard Trident Service Center can view real-time telemetry data, diagnose systems, and update settings over the internet - keeping your equipment running at peak performance - and minimizing downtime.

* Requires optional Hillyard Fleet Management module and subscription.



Knowledge Is Power

Making technology available to improve efficiency is one of the core missions of Hillyard. It gives you the power to make the right decisions for your cleaning program.

HFM, the Hillyard Fleet Management system collects data sent by connected cleaning machines and transforms it into valuable information. Information that is easily accessible in real time, 24/7, from your smartphone.

Being constantly connected to your machines will help you operate them even more efficiently and effectively. Know where your machines are, and if the operation is being carried out according to plans at the scheduled time.

Machine health is constantly monitored. In the unlikely event of a breakdown, you'll receive an alert notification directly on your smartphone, allowing you to promptly take corrective action and immediately call technical support.

Easily check the battery conditions and the quality of the charges in order to optimize battery endurance and life cycle.

The sensors provide hard impact feedback. Now you will know how the equipment is being used.

It's time to get your cleaning world connected with Hillyard Fleet Management.



Sustainable Technologies



TES

Trident Energy Saver

Reduces energy consumption by up to 35%. LED technology consumes much less energy than conventional headlights, offers a longer lifespan and illuminates with a brilliant natural daylight.



TDC

Trident Dosing Control*

Water and detergent are dosed separately, optimizing cleaning and reducing chemical and water consumption by up to 50%.



TFC

Trident Flow Control

Engineered water flow system that delivers equal solution to both scrub brushes ensuring proper coverage to deliver consistent cleaning quality.



* Optional System

being

Better Built. Better Equipment.

Standard and Optional Equipment

• STANDARD ○ OPTION - NOT AVAILABLE

User Experience		R26SC Pro	R26SC Plus
Intelligent Drive	- 5 Inch High-Resolution Color Touch Screen	-	•
	- Log-In With Password	-	•
	- "Zone" Program	-	•
	- Cruise Control	-	•
	- Eco Mode	-	•
	- Power Mode	-	•
	- Rear-View Camera	-	•
	- Anti-Collision System	-	•
	- Video Tutorials	-	•
Comfort			
	Hour Meter	•	•
	Cleaning Solution Level Indicator	•	•
	Water And Detergent Empty Tank Lights	-	•
	Onboard Battery Charger	○	○
Productivity			
	Pressure Adjustment	-	•
	Extra Pressure	•	-
	3-Stage Vacuum Motor	•	•
	HFM - Hillyard Fleet Management	○ - HIL229038*	○ - HIL229038*
Safety			
	Blinking Light	•	•
	Driving (Front - Rear) And Service LED Light Pack Kit	○ - HIL228548*	•
	Ramp Up	•	•
	Stop & Go	•	•
	Descent Control	•	•
	ESC (Electronic Stability Control)	•	•
	Emergency Stop	•	•
Environment			
	TDC - Trident Dosing Control	○ - HIL229031*	○ - HIL229031*
	TES - Trident Energy Saver	•	•
	TFC - Trident Flow Control	•	•
	Start & Stop	•	•

*Dealer Installed Option



Better Built. Better Equipment.

Power Options

Maintenance Free



- The ultimate solution for simplicity and durability.
- Virtually maintenance free. Just plug in the charger when not in use.
- Full replacement three-year warranty with use of the included Protection from Overdischarge (POD) device.

Flooded Lead Acid



- Conventional deep-cycle battery for cleaning equipment.
- High quality, lower-cost alternative to maintenance-free batteries.
- Requires routine maintenance to maintain electrolyte levels and warranty. Pro-rated one-year warranty.

Battery Charger - Lester Summit Series II



Full replacement 3-year warranty



BLUETOOTH®

Featuring Bluetooth wireless communication with apps for Apple® and Android® phones and tablets. View charge cycle status, select the active battery profile, upload new profiles, change between on-board and off-board and download charge history records anytime using just a smart phone or tablet.



PERFORMANCE

Our Summit Series® II provides industry leading charging performance and intelligence. Our proprietary Progressive DV/DT charge algorithm ensures a precisely charged battery every time. The chargers are tested in extreme temperatures and operating conditions and built to last.



EFFICIENCY

Our switch mode (high frequency) chargers have best-in-class efficiency and are compliant with the latest DOE and CEC standards. We operate a CEC approved laboratory in our Lincoln, NE manufacturing plant.



Specifications		R26SC Pro	R26SC Plus
Hillyard Item Number		HIL56027	HIL56026
Cleaning Path	In	26	26
Squeegee Width	In	31	31
Disc Brushes	(No.) In	(2) 13	(2) 13
Solution Tank	Gal	14	14
Recovery Tank	Gal	14.5	14.5
Supply/Traction	V	24/Automatic	24/Automatic
Acoustic Level (Iso 11201)	Db (A)	<70	<70
Brush Motor(s)	(No.) V/W	(2) 24/500	(2) 24/500
Vacuum Motor	V/W	24/422	24/422
Traction Motor	V/W	24/300	24/300
Brushes RPM	RPM/Min.	140	150
Brush Pressure - Variable Range	Lb	88 - 132	88 - 132
Forward Speed	MPH	3.5	3.5
Minimum Aisle Turn	In	71.9	71.9
Gradeability	%	10	10
Productivity	Sq.ft/Hr	28,000	28,000
Battery Compartment Dimensions (L,H,W)	In	13.78 -12.20 - 7.48	13.78 -12.20 - 7.48
Machine Dimensions (L,H,W)	In	50.8, 46.8, 30.7	50.8, 46.8, 30.7
Machine Weight (Without Battery)	Lb	381	381
Contents		1 - Machine 2 - Nylon Brushes 2 - Pad Holders 1 - Owners Kit	1 - Machine 2 - Nylon Brushes 2 - Pad Holders 1 - Owners Kit

ORDER WITH FACTORY INSTALLED BATTERIES

Equipment purchased with factory installed batteries include batteries, cables, and a shelf charger. TPPL machines are equipped with the required Protection From Overdischarge (POD) device.

Model	R26SC Pro		R26SC Plus	
	HIL56027SLA	HIL56027WET	HIL56026SLA	HIL56026WET
Hillyard Item Number	HIL56027SLA	HIL56027WET	HIL56026SLA	HIL56026WET
Battery Type	Maintenance Free (TPPL)	Flooded Lead Acid	Maintenance Free (TPPL)	Flooded Lead Acid
Quantity	2	2	2	2
Voltage / Capacity	12 V / 128 AH	12 V / 150 AH	12 V / 128 AH	12 V / 150 AH
Dimensions LxWxH (in)	13.5 x 7.3 x 11	13 x 7.2 x 11.2	13.5 x 7.3 x 11	13 x 7.2 x 11.2
Weight, Each (lbs)	95	85	95	85
Includes	Machine, batteries, cables, shelf charger, POD device	Machine, batteries, cables, shelf charger	Machine, batteries, cables, shelf charger, POD device	Machine, batteries, cables, shelf charger

Squeegee Replacement Guide	R26SC Pro	R26SC Plus
Front & Rear Squeegee Kit	HIL228561	HIL228561
Side Skirt - Left	HIL449412	HIL449412
Side Skirt - Right	HIL449414	HIL449414
Side Skirt Kit - Left and Right	HIL228563	HIL228563

Brush and Pad Guide	R26SC Pro	R326SC Plus
Brush(es) - Soft, 0.3MM PPL, Blue	HIL422189	HIL422189
Brush(es) - Medium, 0.6MM PPL, White (Standard)	HIL422971	HIL422971
Brush(es) - Stiff, 0.9MM PPL, Black	HIL422972	HIL422972
Brush(es) - Abrasive, 80 Grit, Gray	HIL422981	HIL422981
Pad - Red	HIL42213	HIL42213



PO Box 909
St. Joseph, MO 64502
www.hillyard.com

LIT-R26SC_FULL-0624

Subject to change without notice.