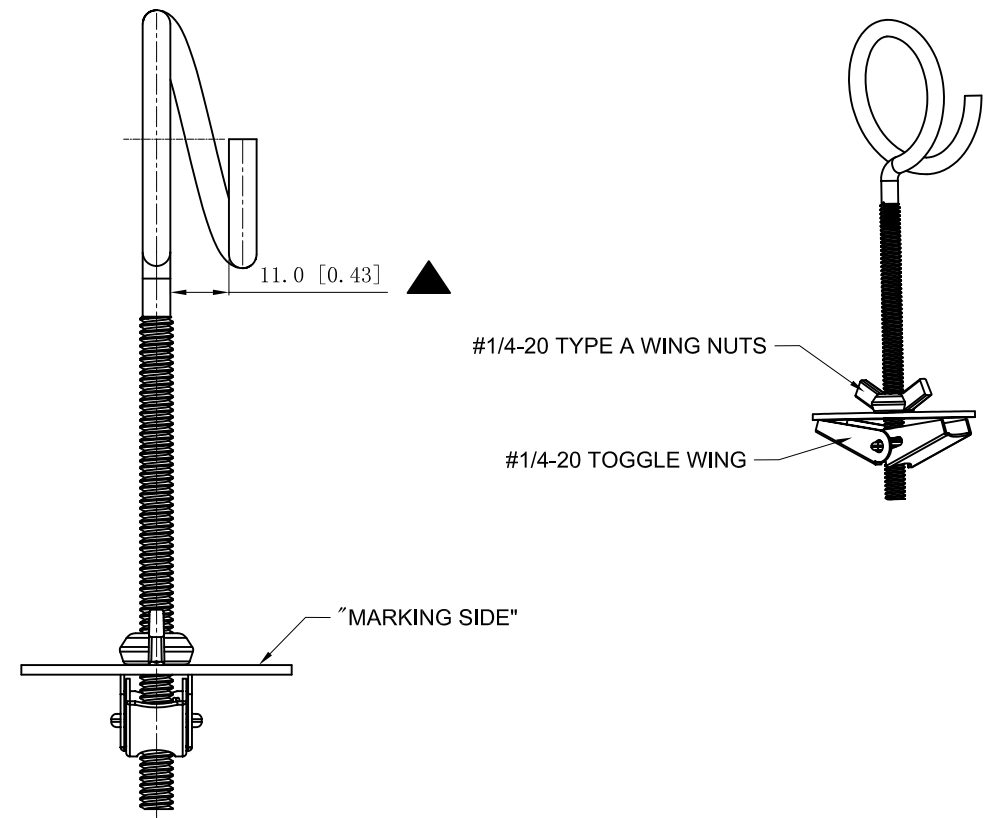
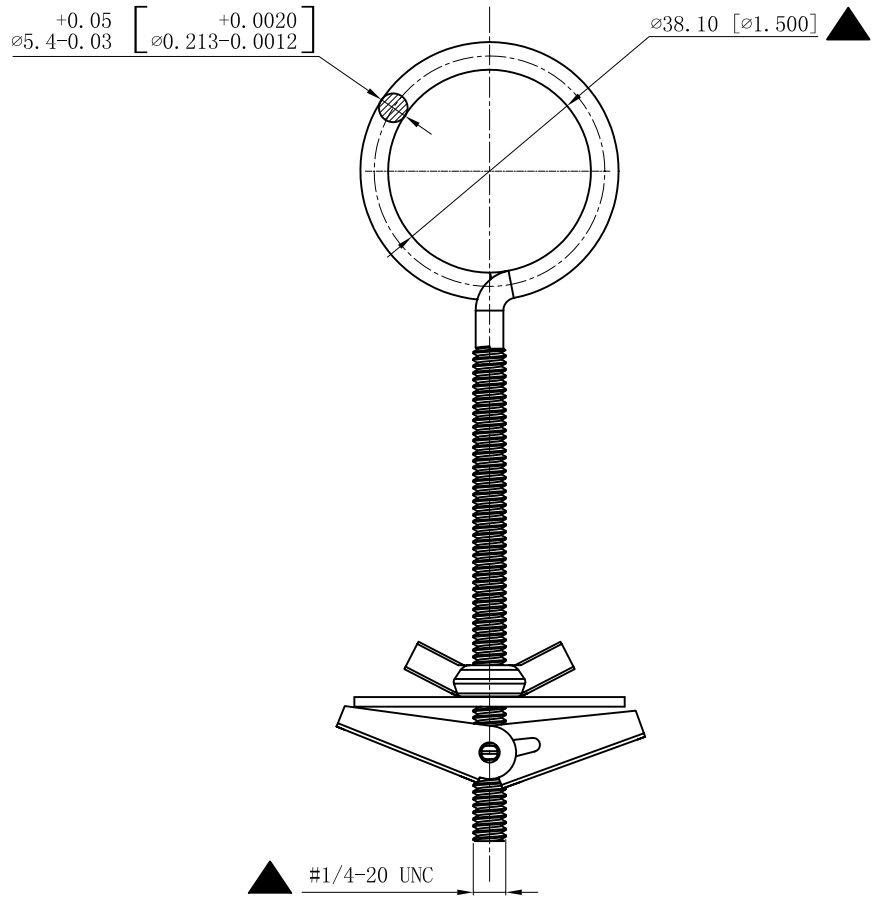


SIDES	BOTTOM
1 PCS #1/4-20 Type A Wing Nuts Installed	
1 PCS #1/4-20 Toggle Wing Installed	
Material: Steel- \varnothing 0.213" C1008-C1018 Zinc Plated	



This data sheet is for reference only .GARVIN INDUSTRIES reserves the right to make changes to the design without prior notice.

DESCRIPTION
Patent #: Pat. US 6,364,266 B1
TRADE REFERENCE TERMS

STANDARD PACKING
50 PCS

GARVIN INDUSTRIES		
TITLE TOGGLE RINGS WITH 4" THREADED LEG		
SIZE A4	DWG NO. BR-150-TW	REV C
DATA SHEET		